

Woody Equipment Inc., 205 rue Commercial, Saint-Odilon-de-Cranbourne, Quebec, Canada G0S3A0
T. (418) 464-2748 F. (418) 464-2746
Email: ewoody@sogetel.net Website: www.equipementswoody.com Facebook: Equipements Woody



Woody Equipment Inc.
Owners: Jerome and Sebastien Labbe

205 rue Commerciale
Saint-Odilon-de-Cranbourne
Beauce-Nord, Quebec,
Canada G0S 3A0

T. (418) 464-2748

F. (418) 464-2746

Email: ewoody@sogetel.net
Website: www.equipementswoody.com
Facebook: Les Equipements Woody

Woody Equipment Inc.

© All Rights Reserved: Woody Equipment Inc. of Saint-Odilon-de-Cranbourne.
No part of this manual may be reproduced in any form without the written permission of Woody Equipment Inc.



Table des matières

Introduction.....	1
Warning.....	2
Characteristic of the loader 115 HD.....	3
115 HD Loader Parts List.....	4
Characteristic of the loader 130 HD.....	5
130 HD Loader Parts List.....	6
Characteristic of the loader 130 HDT.....	7
130 HDT Loader Parts List.....	8
Characteristic of the loader 150 HDT.....	9
150 HDT Loader Parts List.....	10
Characteristic of the loader 170 HDT.....	11
170 HDT Loader Parts List.....	12
Characteristic of the loader 170 HD.....	13
170 HD Loader Parts List.....	14
Parts list grapple 36".....	15
Parts list grapple 42".....	16
Parts list grapple 52".....	17
Parts list 6000 Lb winch.....	18
Parts list Conduite simple.....	19
Parts list Conduite double.....	20
Operation.....	21
Safety Instructions.....	22-31
Guarantee.....	32-33



Introduction

Congratulations on your purchase of a Woody Log Loader. Woody Equipment designs and manufactures equipment according to very strict criteria. This equipment is intended for professional use in the agricultural and forestry sectors.

Even if you have experience with this type of product, we recommend that you read these instructions carefully. These instructions contain important information on safety and efficiency and to ensure the validity of the factory guarantee.

Woody Equipment reserves the right to modify and / or improve its equipment and maintenance instructions, as well as to revise data without notice.

Write down the serial number, model number, purchased date, dealer name, and sales representative's name. Keep this information available for ordering parts as well as for any technical assistance or warranty issue.

Serial number	
Model number	
Purchased date	
Dealer	
Sales representative	



Warning

The following symbols used in this manual are to warn the operator of the dangers connected to the use of this machinery. Follow the safety instructions to avoid any risk of serious injury or death.

	AVERTISSEMENT
	CHUTE DE LA CHARGE OU DES MÂTS Peut causer de graves blessures ou la mort. Ne jamais déplacer la charge ou les mâts au-dessus du personnel.
	WARNING
	FALLING BOOM OR LOAD Can cause severe injuries or death. Do not move boom or load over people.
<small>ALFACOLLAS TUBES S/A - 30 000 20</small>	

	AVERTISSEMENT
	RISQUE D'ECRASSEMENT Les stabilisateurs peuvent causer de graves blessures ou la mort. Gardez le personnel éloigné des stabilisateurs.
	WARNING
	CRUSHING HAZARD Stabilizers can cause severe injuries or death. Keep bystanders away from stabilizer zone.
<small>ALFACOLLAS TUBES S/A - 30 000 20</small>	

	AVERTISSEMENT
	MACHINE INSTABLE Toujours opérer la chargeuse avec les stabilisateurs abaissés sur un sol ferme et au niveau. Assurez- vous d'avoir une stabilité adéquate.
	WARNING
	UNSTABLE MACHINE Do not operate loader without lowering the stabilizers on firm level ground and checking for adequate stability.
<small>ALFACOLLAS TUBES S/A - 30 000 20</small>	

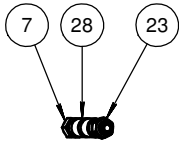
	DANGER
	ÉLOIGNEZ-VOUS STAY AWAY
<small>ALFACOLLAS TUBES S/A - 30 000 20</small>	

	AVERTISSEMENT
<small>Cet avertissement de cette chargeuse doit être lu et compris avant d'opérer cet équipement. Observez les lois fédérales et provinciales sur les règlements de sécurité concernant les machines à moteur à pétrole. Ne jamais dépasser les spécifications techniques recommandées de la chargeuse ou de l'attachement. Il est important de lire les informations sur les tableaux de spécifications. Informez les autres de la présence de la chargeuse et de la zone d'exclusion, si nécessaire, afin de prévenir les blessures ou même la mort.</small>	
	WARNING
<small>Any operator of this loader must be fully trained and qualified to do so. Observe all state or provincial safety regulations relating to the particular work being performed. Never exceed recommended technical specifications of the loader or its attachments. Injury, including death, may result from failure to follow this warning and/or the information contained in the loader operator's manual/technical specifications sheet.</small>	
<small>ALFACOLLAS TUBES S/A - 30 000 20</small>	

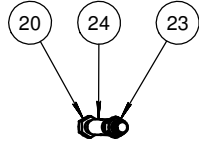
DANGER
20M ZONE AREA



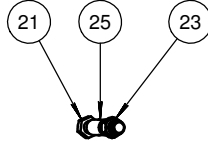
115 HD Loader models pinion Parts list



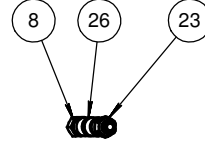
DETAIL G
SCALE 2 : 29



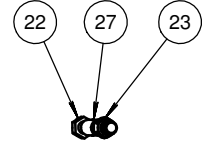
DETAIL F
SCALE 2 : 29



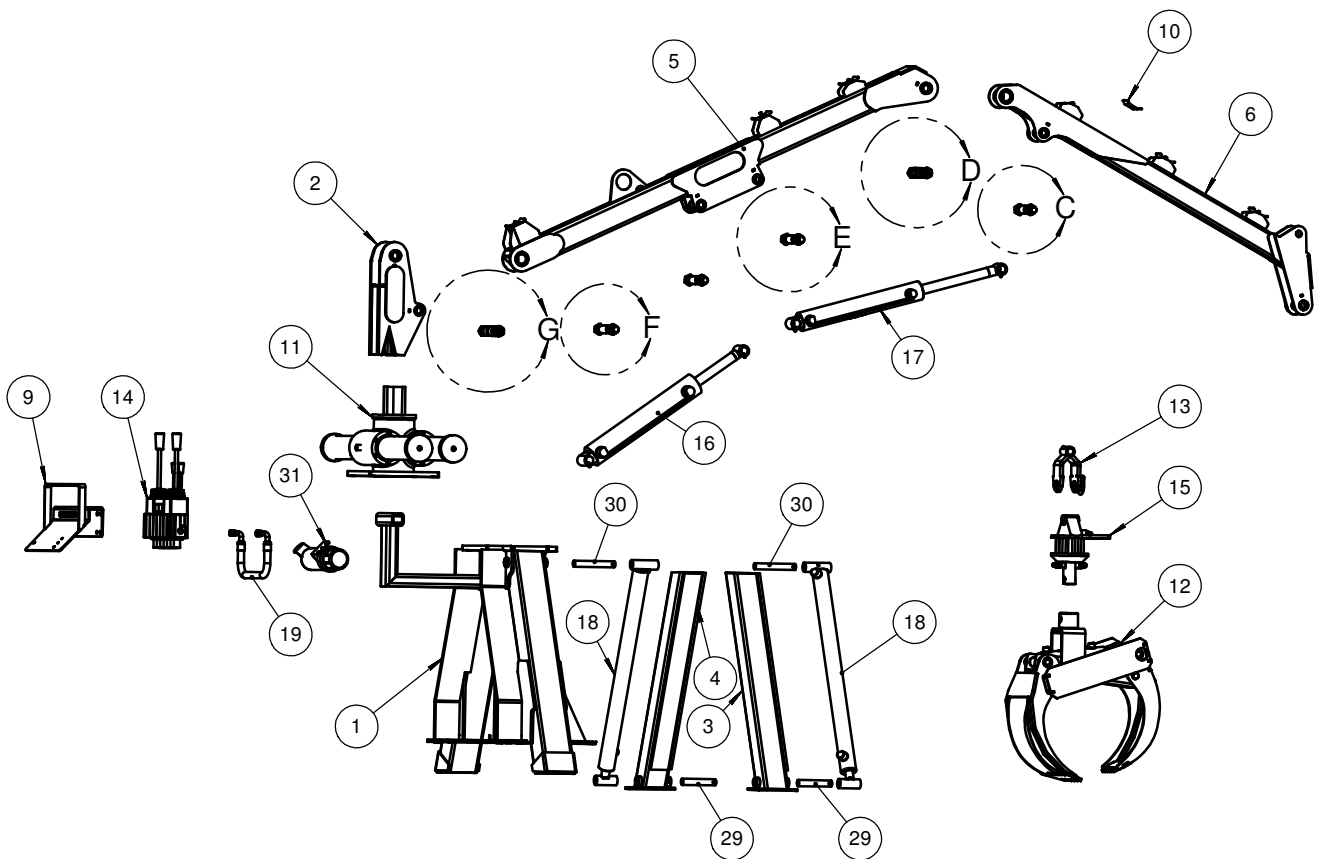
DETAIL E
SCALE 2 : 29



DETAIL D
SCALE 2 : 29



DETAIL C
SCALE 2 : 29



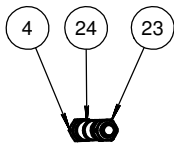


115 HD Loader models pinion Parts list

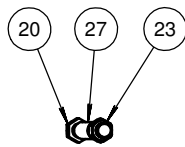
Item	Part #	Description	Qty
1	60-044-01	Loader A-Frame	1
2	60-044-02	Loader column	1
3	60-012-05	Loader stabilizers	1
4	60-012-06	Loader stabilizers	1
5	60-044-04	Loader main boom	1
6	60-021-04	Loader stick boom	1
7	60-012-08	Loader main boom pin 115-125	1
8	60-012-07	Loader stick boom pin 115-125	1
9	60-010-04	Loader control valve support 115, 125, 130 ,150 & 170	1
10	60-000-060	Hose lock	6
11	60-044-03	Pinion	1
12	57-002	36" grapple	1
13	57-000-04	Grapple yoke	1
14	130240	Anti-shock Q30/7 control	1
15	199309	GR30 Rotator	1
16	120483	Hydraulic Cylinder 3" x 16" stroke	1
17	120322	Hydraulic Cylinder 2 1/2" x 16" Stroke	1
18	120212	Hydraulic Cylinder 2" x 30" Stroke	2
19	140040-020-100600-100600	Assembly Hose 1/2" - 20" Long	1
20	300340	Bolt 1"-8 x 7"	1
21	300330	Bolt 1"-8 x 6 1/2"	2
22	300320	Bolt 1"-8 x 6"	1
23	301500	Nylon nut 1"-8	6
24	89-20-16-52-D26-00	Plastic tubing 1 1/4" O.D.	1
25	89-20-16-44-D22-00	Plastic tubing 1 1/4" O.D.	2
26	89-24-20-48-D24-00	Plastic tubing 1 1/2" O.D.	1
27	89-20-16-36-D18-00	Plastic tubing 1 1/4" O.D.	1
28	89-24-20-56-D28-00	Plastic tubing 1 1/2" O.D.	1
29	86-16-92-E08-00	Rod 1" O.D.	2
30	86-16-112-E08-00	Rod 1" O.D.	2
31	400500	Document holder	1



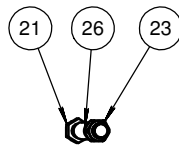
130 HD Loader models pinion Parts list



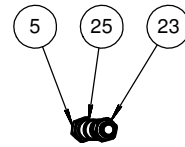
DETAIL L
SCALE 1 : 16



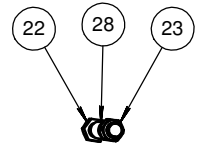
DETAIL M
SCALE 1 : 16



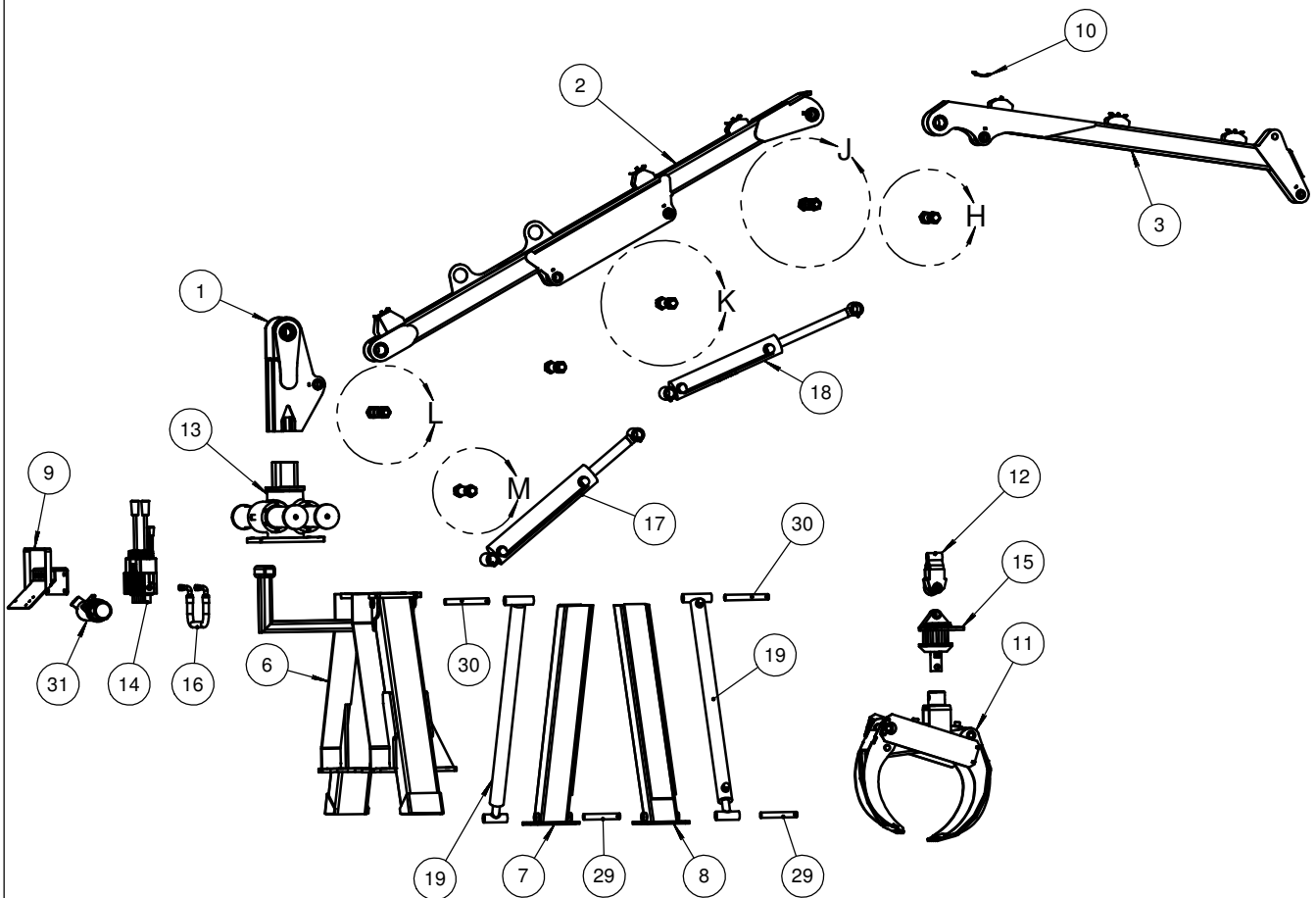
DETAIL K
SCALE 1 : 16



DETAIL J
SCALE 1 : 16



DETAIL H
SCALE 1 : 16





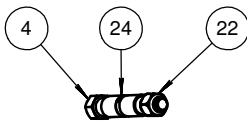
130HD Loader models pinion Parts list

Item	Part #	Description	Qty
1	60-036-03	Loader column 130HD	1
2	60-018-03	Loader main boom 130 HD	1
3	60-018-04	Loader stick boom 130HD	1
4	60-006-09	Loader main boom pin 130 ,150 & 170HD	1
5	60-006-08	Loader stick boom pin 130 ,150 & 170HD	1
6	60-036-01	Loader A-Frame 130 HD	1
7	60-018-05	Loader stabilizer	1
8	60-018-06	Loader stabilizer	1
9	60-010-04	Loader control valve support 115, 125, 130 ,150 & 170	1
10	60-000-060	Hose lock	6
11	57-002	36" grapple	1
12	57-000-04	Grapple yoke	1
13	110040	Pinion 270°	1
14	130240	Anti-shock Q30/7 control	1
15	199309	GR30 Rotator	1
16	140040-020-100600-100600	Assembly Hose 1/2" - 20" Long	1
17	120652	Hydraulic cylinder 3 1/2" x 18" Stroke	1
18	120482	Hydraulic cylinder 3" x 16" Stroke	1
19	120232	Hydraulic cylinder 2" x 36" Stroke	2
20	300290	Bolt 1 1/4"-12 x 9"	1
21	300281	Bolt 1 1/4"-12 x 8"	2
22	300280	Bolt 1 1/4"-12 x 7"	1
23	301530	Nylon nut 1 1/4"-12	6
24	89-28-24-80-D40-00	Plastic tubing 1 3/4" O.D.	1
25	89-28-24-64-D32-00	Plastic tubing 1 3/4" O.D.	1
26	89-24-20-60-D30-00	Plastic tubing 1 1/2" O.D.	2
27	89-24-20-76-D38-00	Plastic tubing 1 1/2" O.D.	1
28	89-24-20-44-D22-00	Plastic tubing 1 1/2" O.D.	1
29	86-16-108-E08-00	Rod 1" O. D.	2
30	86-16-130-E08-00	Rod 1" O. D.	2
31	400500	Document holder	1

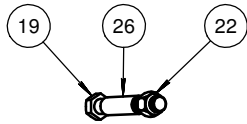


130 HDT Loader models pinion

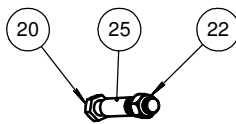
Parts list



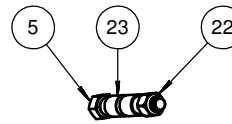
DETAIL T
SCALE 1 : 15



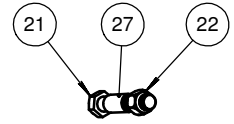
DETAIL U
SCALE 1 : 15



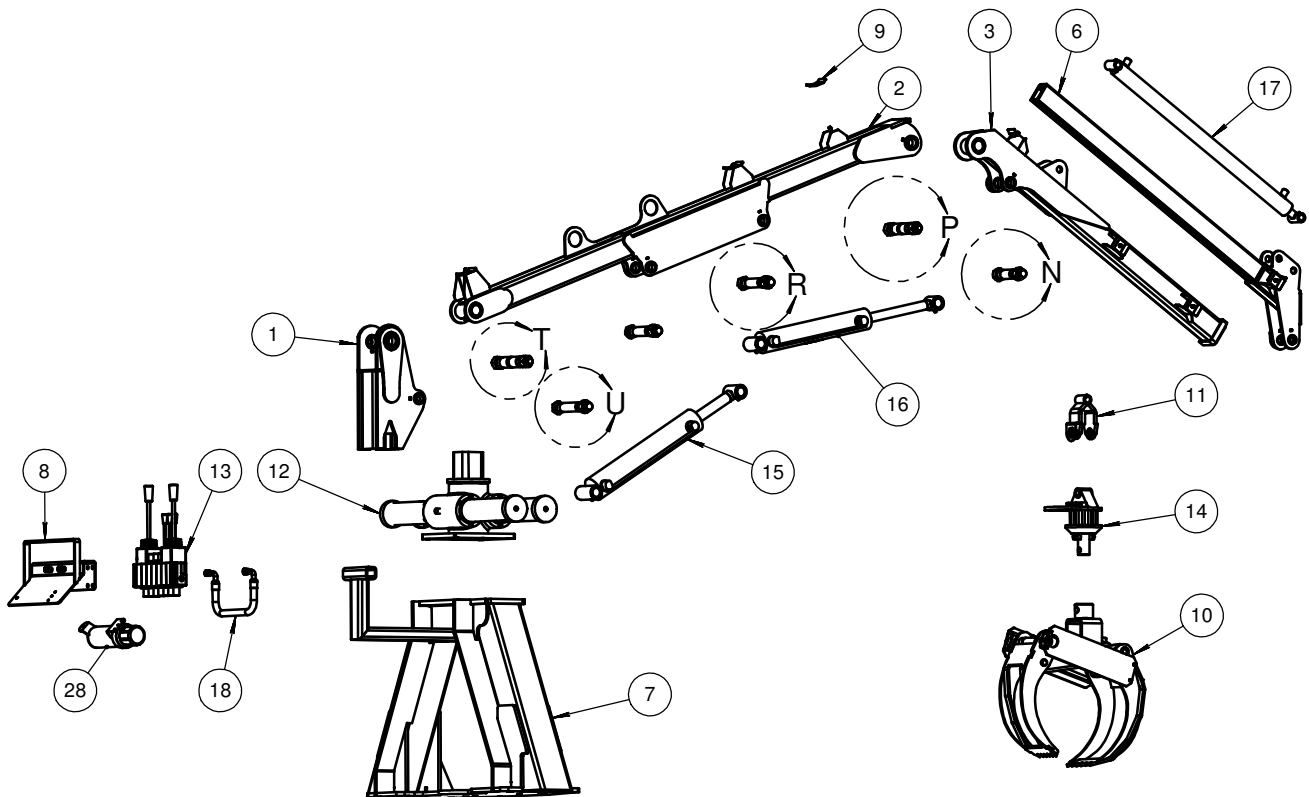
DETAIL R
SCALE 1 : 15



DETAIL P
SCALE 1 : 15



DETAIL N
SCALE 1 : 15



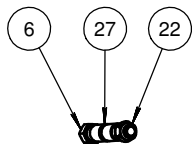


130 HDT Loader models pinion Parts list

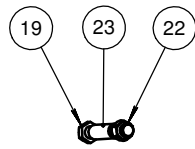
ITEM	Part #	Description	Qty
1	60-036-03	Loader column	1
2	60-030-02	Loader main boom 130 HDT	1
3	60-030-01	Loader stick boom 130 HDT	1
4	60-006-09	Loader main boom pin 130 ,150 & 170	1
5	60-006-08	Loader stick boom pin 130 ,150 & 170	1
6	60-030-09	Telescopic boom	1
7	60-061-01	Loader A-Frame 130HD	1
8	60-010-04	Loader control valve support 115, 125, 130 ,150 & 170	1
9	60-000-060	Hose lock	7
10	57-002	36" Grapple	1
11	57-000-04	Grapple yoke	1
12	110040	Pinion 270°	1
13	130240	Anti-shock Q30/7 control	1
14	199309	GR30 Rotator	1
15	120652	Hydraulic Cylinder 3 1/2" x 18" stroke	1
16	120482	Hydraulic Cylinder 3" x 16" stroke	1
17	120230	Hydraulic Cylinder 2" x 36" stroke	1
18	140040-020-100600- 100600	Hydraulic Hose 1/2" - 20"	1
19	300290	Bolt 1 1/4"-12 x 9"	1
20	300281	Bolt 1 1/4"-12 x 8"	2
21	300280	Bolt 1 1/4"-12 x 7"	1
22	301530	Nylon nut 1 1/4"-12	6
23	89-28-24-64-D32-00	Plastic Tube 1 3/4" O.D.	1
24	89-28-24-80-D40-00	Plastic Tube 1 3/4" O.D.	1
25	89-24-20-60-D30-00	Plastic Tube 1 1/2" O.D.	2
26	89-24-20-76-D38-00	Plastic Tube 1 1/2" O.D.	1
27	89-24-20-44-D22-00	TPlastic Tube 1 1/2" O.D.	1
28	400500	Document holder	1



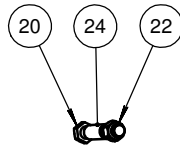
150 HDT Loader models pinion Parts list



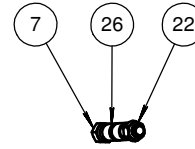
DETAIL AB
SCALE 2 : 37



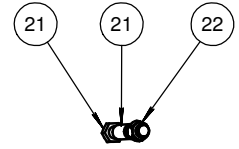
DETAIL AA
SCALE 2 : 37



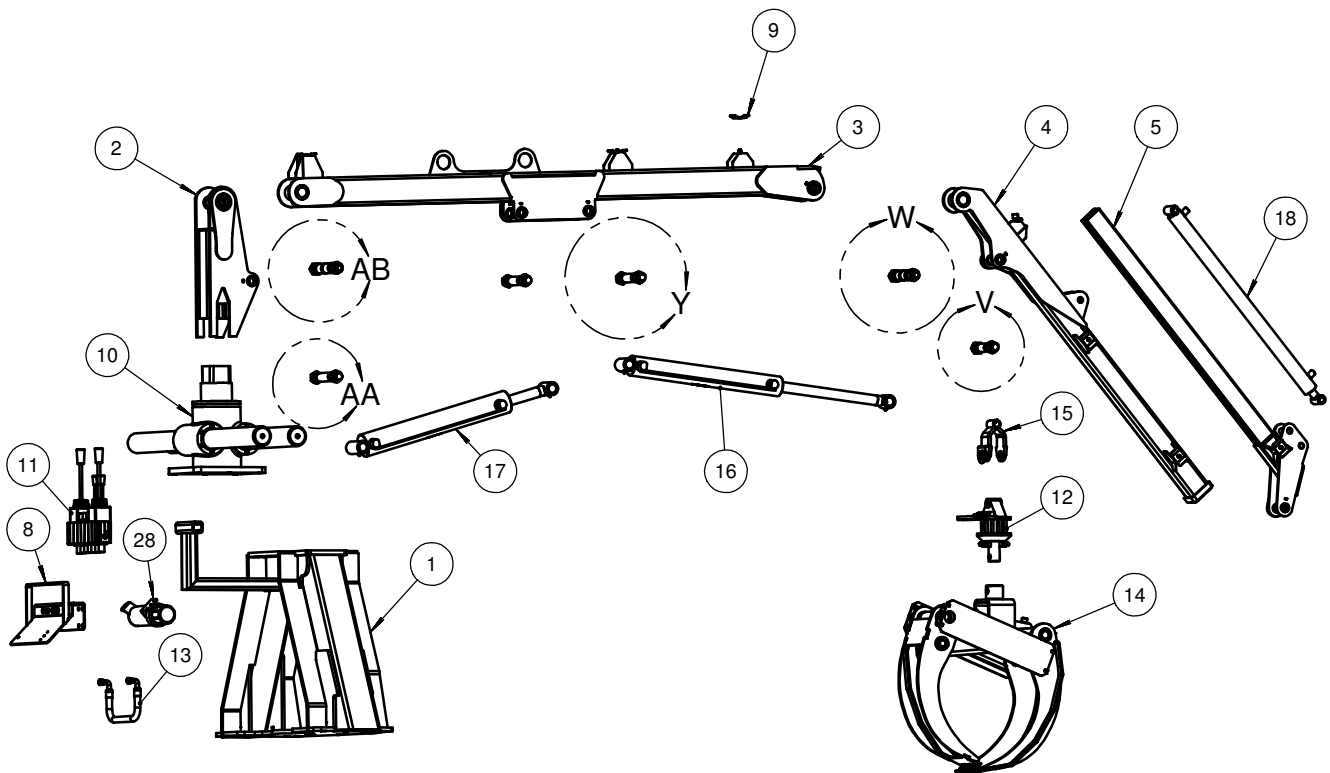
DETAIL Y
SCALE 2 : 37



DETAIL W
SCALE 2 : 37



DETAIL V
SCALE 2 : 37



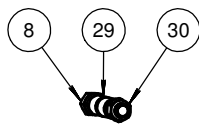


150 HDT Loader models pinion Parts list

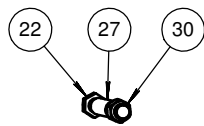
Item	Part #	Description	Qty
1	60-052-01	Loader A-Frame 170 HD	1
2	60-058-03	Loader column 150 HDT	1
3	60-031-02	Loader main boom 150-HDT	1
4	60-031-01	Loader stick boom 150-HDT	1
5	60-031-06	Telescopic	1
6	60-006-09	Loader main boom pin 130 ,150 & 170	1
7	60-006-08	Loader stick boom pin 130 ,150 & 170	1
8	60-010-04	Loader control valve support 115, 125, 130 ,150 & 170	1
9	60-000-060	Hose lock	7
10	110070	Pinion	1
11	130240	Anti-shock Q30/7 control	1
12	199309	GR30 Rotator	1
13	140040-020-100600-100600	Hose 1/2" - 20"	1
14	57-004	52" Grapple	1
15	57-000-04	Grapple yoke	1
16	120512	Hydraulic Cylinder 3" x 24" stroke	1
17	120672	Hydraulic Cylinder 3 1/2" x 24" stroke	1
18	120230	Hydraulic Cylinder 2" x 36" stroke	1
19	300290	Bolt 1 1/4"-12 x 9"	1
20	300281	Bolt 1 1/4"-12 x 8"	2
21	300280	Bolt 1 1/4"-12 x 7"	1
22	301530	Nylon nut 1 1/4"-12	6
23	89-24-20-76-D38-00	Plastic tubing 1 1/2" O.D.	1
24	89-24-20-60-D30-00	Plastic tubing 1 1/2" O.D.	2
25	89-24-20-44-D22-00	Plastic tubing 1 1/2" O.D.	1
26	89-28-24-64-D32-00	Plastic tubing 1 3/4" O.D.	1
27	89-28-24-80-D40-00	Plastic tubing 1 3/4" O.D.	1
28	400500	Document holder	1



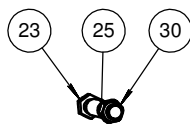
170 HDT Loader models pinion Parts list



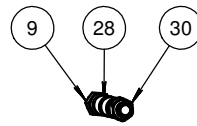
DETAIL AG
SCALE 1 : 16



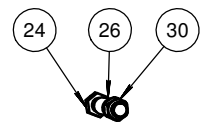
DETAIL AF
SCALE 1 : 16



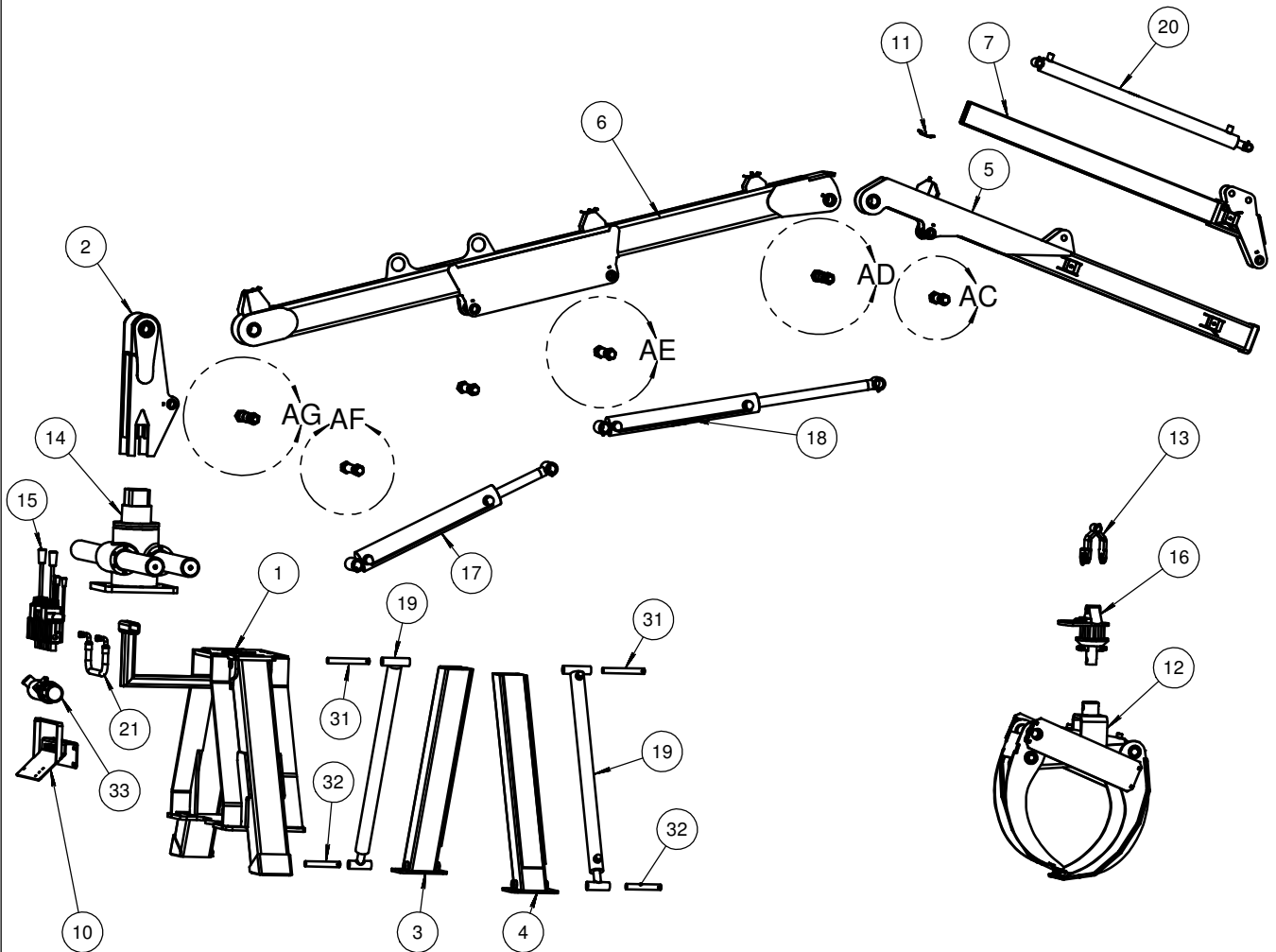
DETAIL AE
SCALE 1 : 16



DETAIL AD
SCALE 1 : 16



DETAIL AC
SCALE 1 : 16



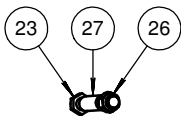


170 HDT Loader models pinion Parts list

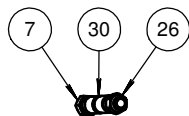
Item	Part #	Description	Qty
1	60-020-13	Loader A-Frame 170-HDT	1
2	60-020-12	Loader column	1
3	60-018-05	Loader telescopic stabilizers	1
4	60-018-06	Loader telescopic stabilizers	1
5	60-032-01	Loader stick boom 170-HDT	1
6	60-032-02	Loader main boom 170 HDT	1
7	60-032-07	Telescopic 170 HDT	1
8	60-006-09	Loader main boom pin 130 ,150 & 170	1
9	60-006-08	Loader stick boom pin 130 ,150 & 170	1
10	60-010-04	Loader control valve support 115, 125, 130 ,150 & 170	1
11	60-000-060	Hose lock	7
12	57-004	52" Grapple	1
13	57-000-10	Grapple yoke	1
14	110070	Pinion W170	1
15	130250	Anti-shock Q30/8 control	1
16	199309	GR30 Rotator	1
17	120672	Hydraulic Cylinder 3 1/2" x 24" Stroke	1
18	120512	Hydraulic Cylinder 3" x 24" Stroke	1
19	120232	Hydraulic Cylinder 2" Dia. x 36" Stroke	2
20	120230	Hydraulic Cylinder 2" x 36" Stroke	1
21	140040-020-100600-100600	Hose 1/2" - 20"	1
22	300290	Bolt 1 1/4"-12 x 9"	1
23	300281	Bolt 1 1/4"-12 x 8"	2
24	300280	Bolt 1 1/4"-12 x 7"	1
25	89-24-20-60-D30-00	Plastic tubing 1 1/2" O.D.	2
26	89-24-20-44-D22-00	Plastic tubing 1 1/2" O.D.	1
27	89-24-20-76-D38-00	Plastic tubing 1 1/2" O.D.	1
28	89-28-24-64-D32-00	Plastic tubing 1 3/4" O.D.	1
29	89-28-24-80-D40-00	Plastic tubing 1 3/4" O.D.	1
30	301530	Nylon nut 1 1/4"-12	6
31	86-16-130-E08-00	Rod 1" O. D.	2
32	86-16-108-E08-00	Rod 1" O. D.	2
33	400500	Document holder	1



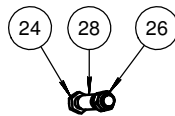
170 HDT Loader models pinion and with seat Parts list



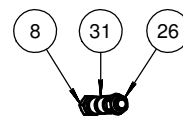
DETAIL AM
SCALE 2 : 37



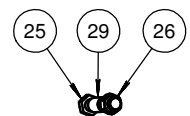
DETAIL AL
SCALE 2 : 37



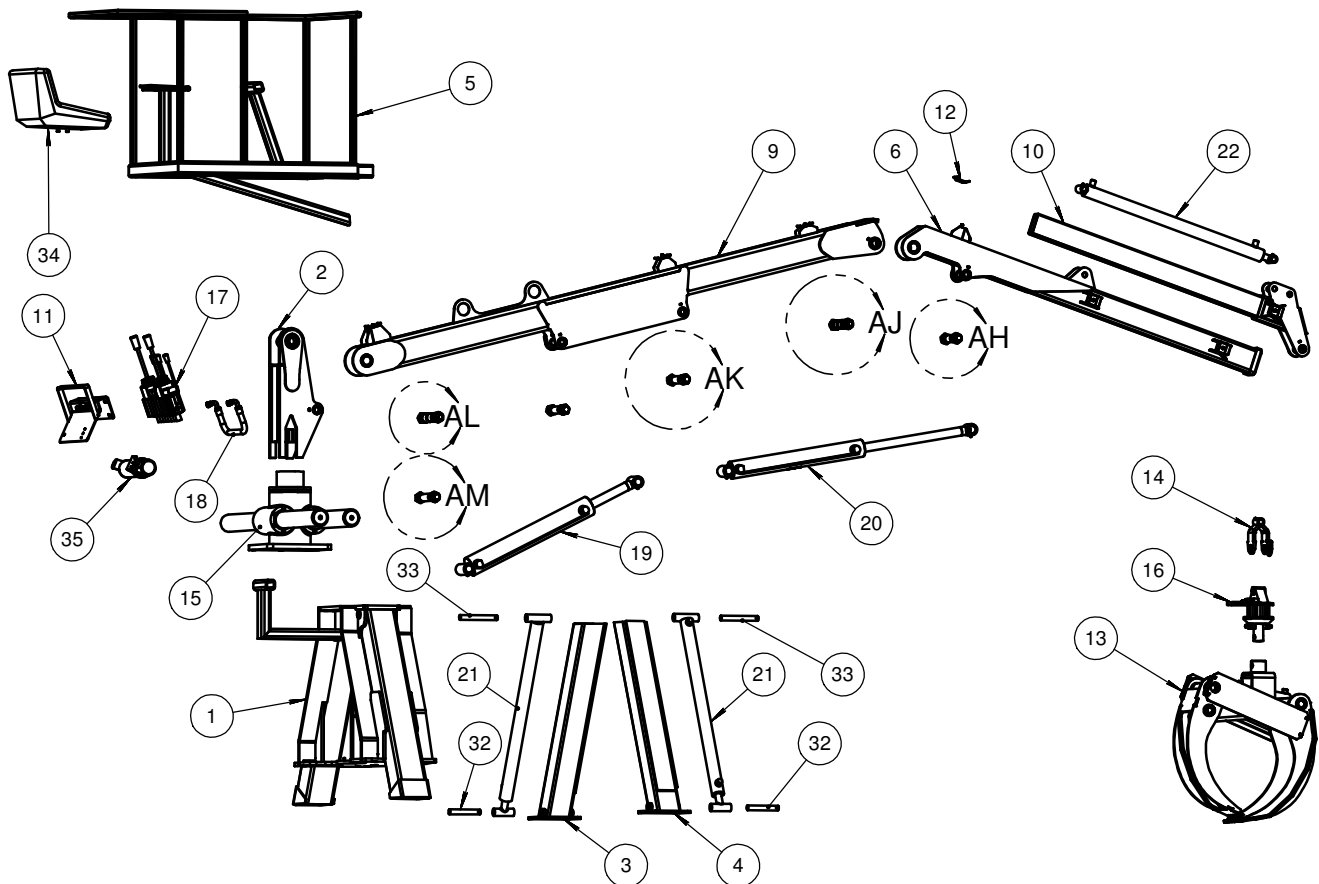
DETAIL AK
SCALE 2 : 37



DETAIL AJ
SCALE 2 : 37



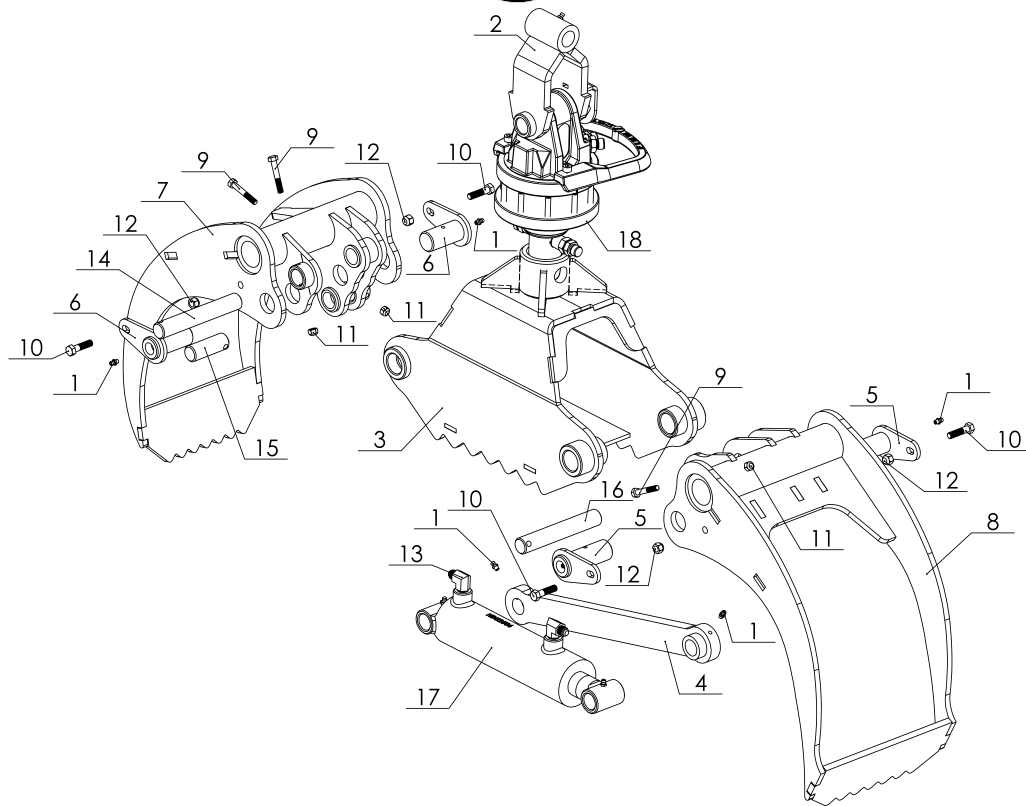
DETAIL AH
SCALE 2 : 37





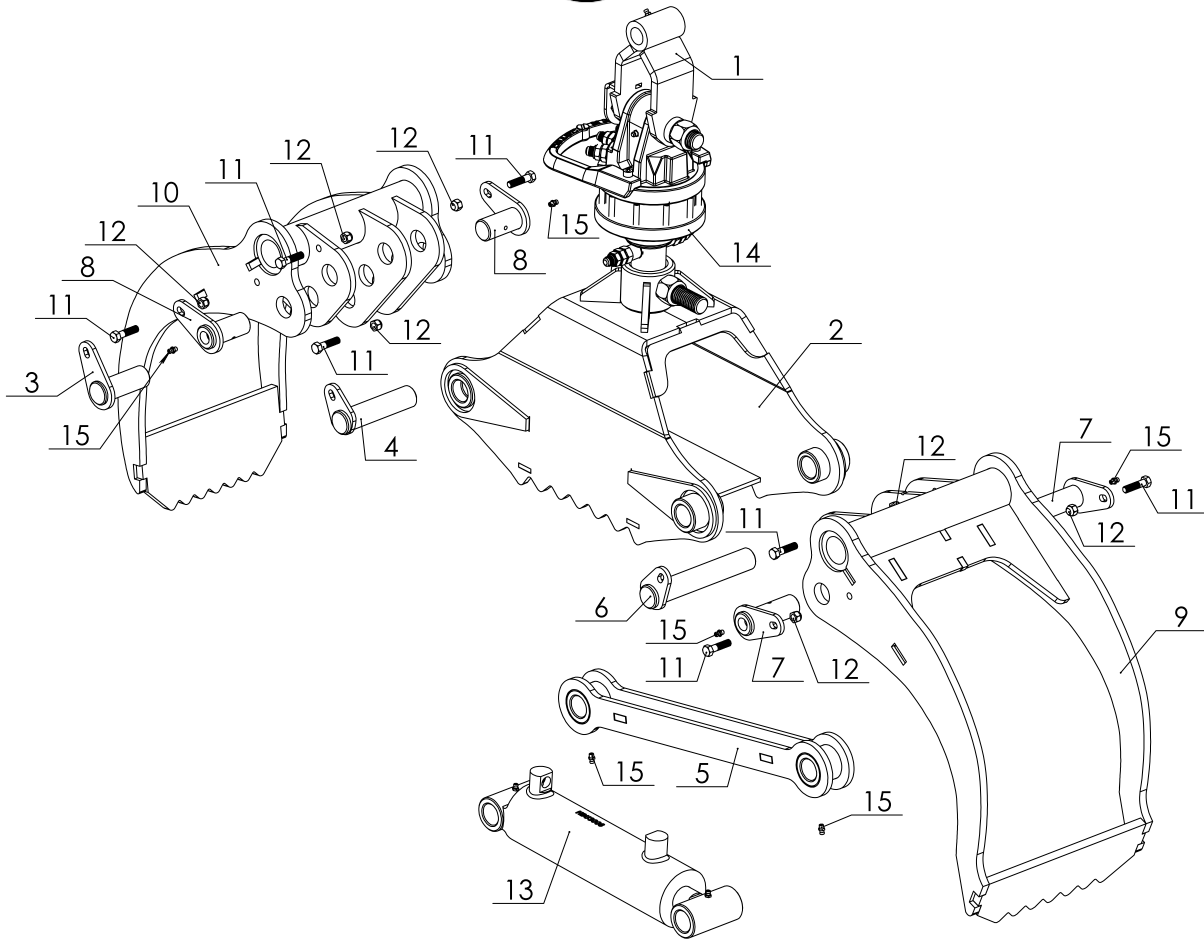
170 HDT Loader models pinion and with seat Parts list

Item	Part #	Description	Qty
1	60-020-13	Loader A-Frame 170-HDT	1
2	60-020-12	Loader column	1
3	60-018-05	Loader stabilizer	1
4	60-018-06	Loader stabilizer	1
5	60-020-14	Tray with seat and control support	1
6	60-032-01	Loader stick boom 170-HDT	1
7	60-006-09	Loader main boom pin 130 ,150 & 170	1
8	60-006-08	Loader stick boom pin 130 ,150 & 170	1
9	60-020-03	Loader main boom 130HD-150HD-170 HD	1
10	60-032-07	Telescopic 170 HDT	1
11	60-010-04	Loader control valve support 115, 125, 130 ,150 & 170	1
12	60-000-060	Hose lock	7
13	57-004	52" Grappel	1
14	57-000-04	Grappel yoke	1
15	110070	Pinion	1
16	199309	GR30 Rotator	1
17	130250	Anti-shock Q30/8 control	1
18	140040-020-100600-100600	Hose 1/2" - 20"	1
19	120672	Hydraulic Cylinder 3 1/2" Dia. x 24" Strock	1
20	120512	Hydraulic Cylinder 3" Dia. x 24" Strock	1
21	120232	Hydraulic Cylinder 2" Dia. x 36" Strock	2
22	120230	Hydraulic Cylinder 2" x 36" Strock	1
23	300290	Bolt 1 1/4"-12 x 9"	1
24	300281	Bolt 1 1/4"-12 x 8"	2
25	300280	Bolt 1 1/4"-12 x 7"	1
26	301530	Nylon nut 1 1/4"-12	6
27	89-24-20-76-D38-00	Plastic tubing 1 1/2" O.D.	1
28	89-24-20-60-D30-00	Plastic tubing 1 1/2" O.D.	2
29	89-24-20-44-D22-00	Plastic tubing 1 1/2" O.D.	1
30	89-28-24-80-D40-00	Plastic tubing 1 3/4" O.D.	1
31	89-28-24-64-D32-00	Plastic tubing 1 3/4" O.D.	1
32	86-16-108-E08-00	Rod 1" O. D.	2
33	86-16-130-E08-00	Rod 1" O. D.	2
34	108400	Seat	1
35	400500	Document Holder	1



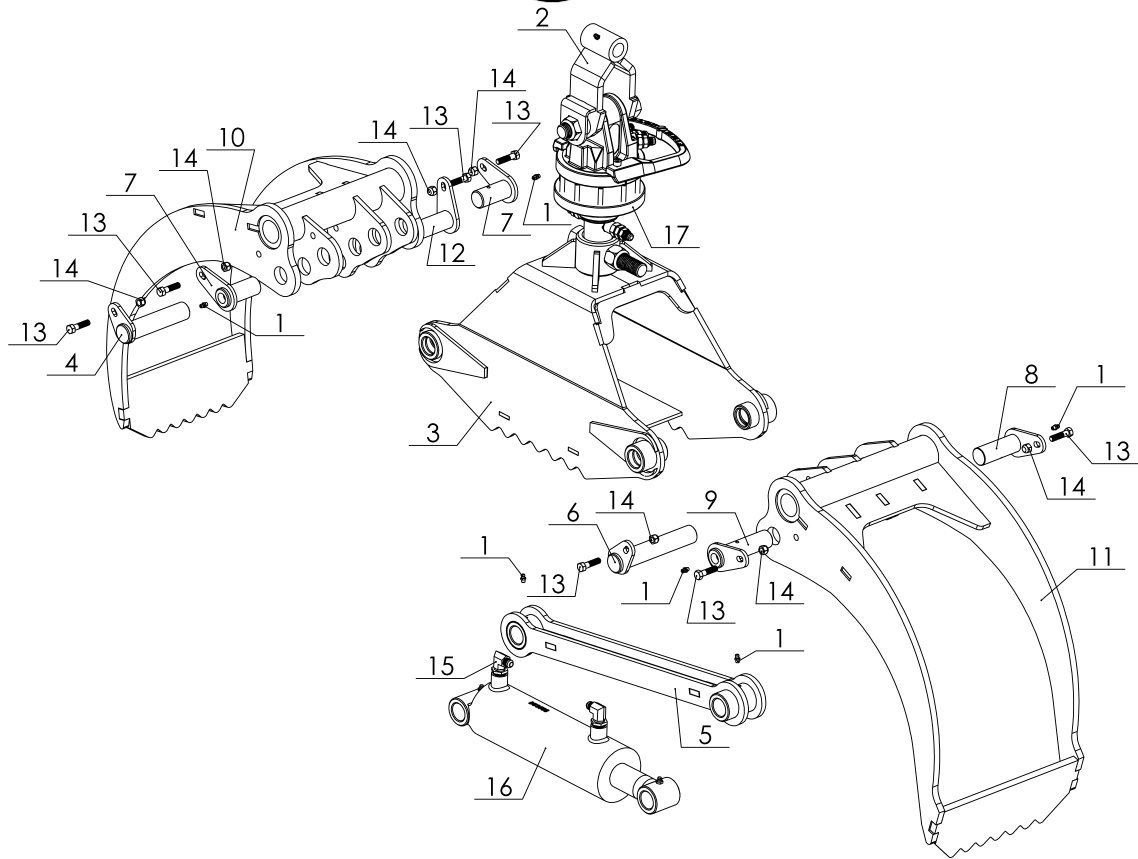
LISTE DES PIÈCES - ASSEMBLAGE GRAPPIN DE 36", NO. DE PIÈCE 57-020

ITEM	PART NO.	DESCRIPTION	QTY
1	310020	Grease nipple right 1/4"-28	6
2	57-000-04	Grappeler link 36" (Welding assembly)	1
3	57-020-01	Frame pince 36" Hardox	1
4	57-020-03	Retraction arm 36" Hardox	1
5	57-020-04	Assembly pine pivot for clamp	2
6	57-020-05	Assembly pine pivot for clamp	2
7	57-020-14	Interior clamp 36" Hardox	1
8	57-020-15	Exterior clamp 36" Hardox	1
9	300730	Bolt 5/16"-18 x 2" Lenght	3
10	300520	Bolt 3/8"-16 x 1 1/2" Lenght	4
11	301560	Nylon nut 5/16"-18	3
12	301550	Nylon nut 3/8"-16	4
13	100900	Serie 5405 - Elbow 90° - Male JIC 37° - Male NPT - 9/16" x 3/8"	2
14	57-020-017	Pivot shaft	1
15	57-020-026	Pivot shaft	1
16	57-020-027	Pivot shaft	1
17	120270	Hydraulic cylinder 2 1/2" Dia. x 6" Stroke	1
18	199309	Rotor CR-300	1



PARTS LIST - 42" LOG GRAPPLE ASSEMBLY, PART NO. 57-017

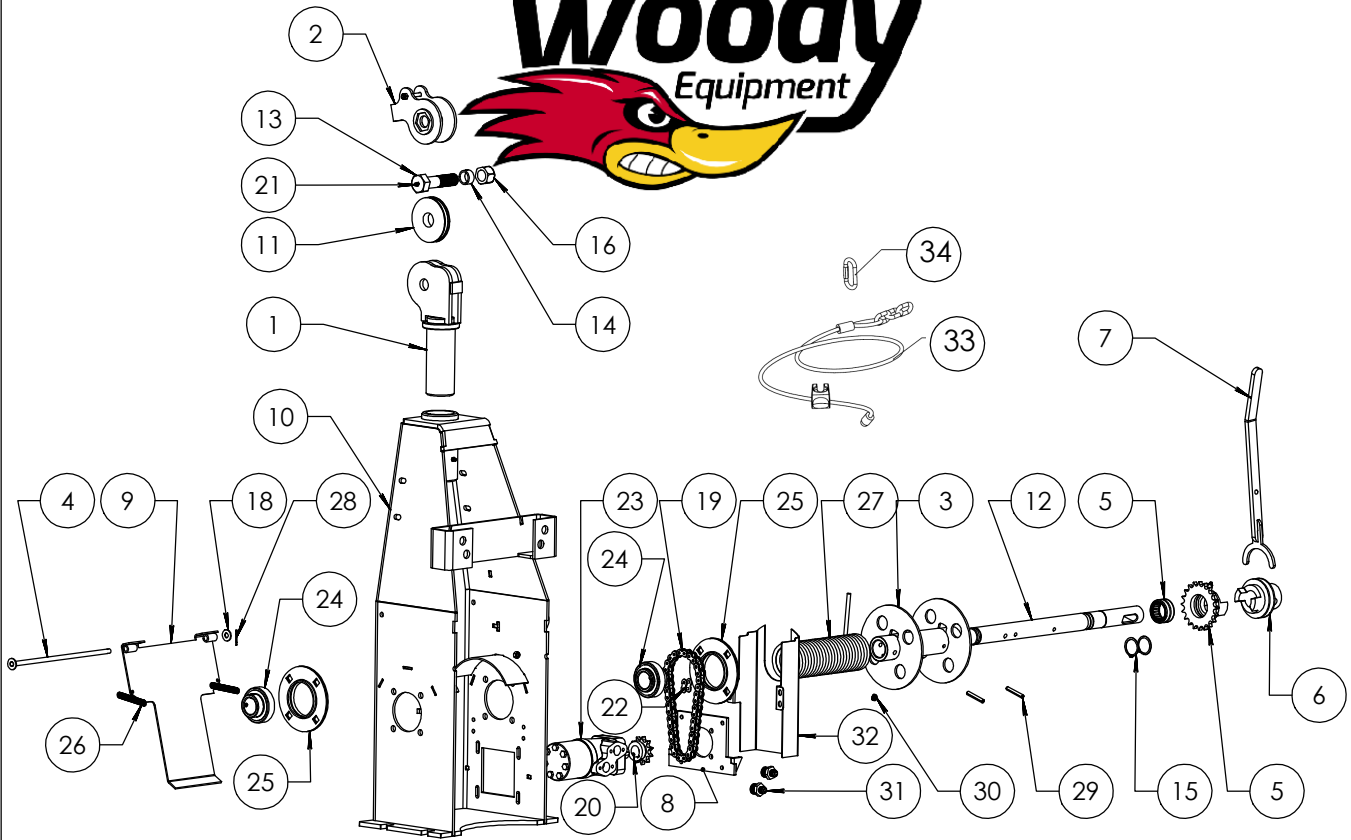
ITEM	PART NO.	DESCRIPTION	QTY
1	57-000-04	Grapple yoke	1
2	57-017-01	Grapple head	1
3	57-017-03	Pin	1
4	57-017-04	Pin	1
5	57-017-05	Cylinder arm	1
6	57-017-06	Pin	1
7	57-017-07	Pin	2
8	57-017-09	Pin	2
9	57-017-12	Wide jaw	1
10	57-017-13	Narrow jaw	1
11	300520	Bolt 3/8"-16 x 1 1/2" long	7
12	301550	Nylon nut 3/8"-16	7
13	120443	Hydraulic cylinder 3" dia. x 8" stroke	1
14	199309	Rotator assembly CR30	1
15	310020	Straight grease fitting 1/4"-28	6



LISTE DES PIÈCES - ASSEMBLAGE GRAPPIN DE 52", NO. DE PIÈCE 57-021

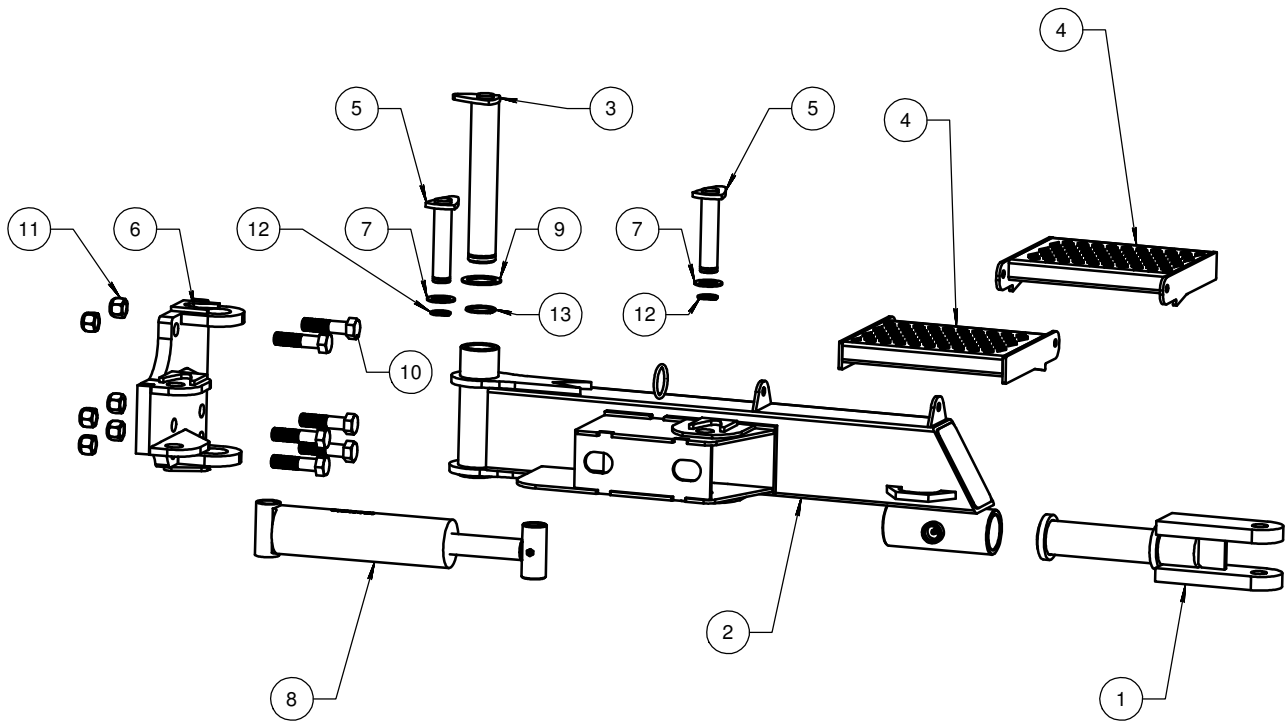
ITEM	NO. DE PIÈCE	DESCRIPTION	QTÉ
1	310020	Vis à graisser 1/4"-28	6
2	57-000-04	Joint de grappin	1
3	57-021-01	Tête de grappin	1
4	57-021-04	Cheville	1
5	57-021-05	Bras de cylindre	1
6	57-021-06	Cheville	1
7	57-021-09	Cheville	2
8	57-021-10	Cheville	1
9	57-021-11	Cheville	1
10	57-021-12	Mâchoire étroite	1
11	57-021-13	Mâchoire large	1
12	57-021-14	Cheville	1
13	300520	Boulon 3/8"-16 x 1 1/2" long	7
14	301550	Écrou nylon 3/8"-16	7
15	101100	Raccord hydraulique coude 90° - Mâle JIC - Mâle réglable ORB - 9/16" x 3/4"	2
16	120600	Cylindre hydraulique 3 1/2" dia. x 8" course	1
17	199309	Rotateur assemblé CR30	1

Les équipements **Woody** Equipment



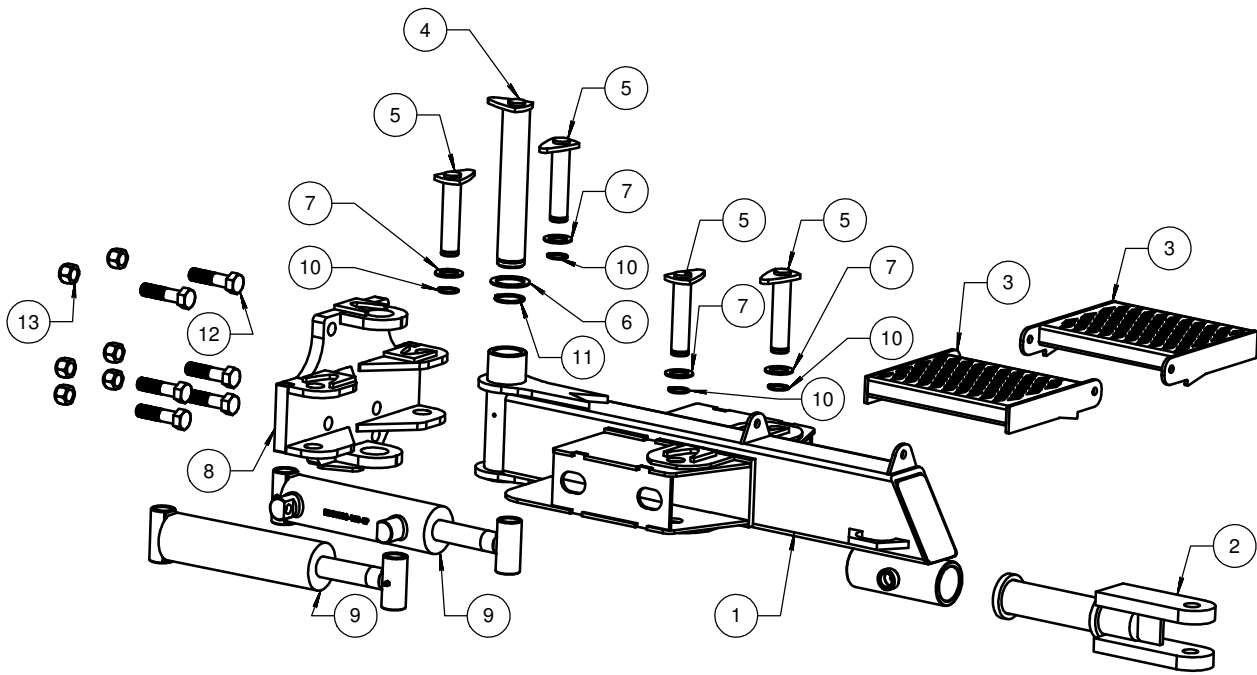
Parts List Winch 6000 Lb

Item	Part#	Description	Qty
1	58-007-02	Winch head	1
2	58-000-04	Swivel head fixation- large, medium, small	1
3	58-000-05	Winch roller- large, Medium	1
4	58-007-03	Cable tensioner pin	1
5	58-000-06	Winch fixed clutch- Large, Medium, Small	1
6	58-000-07	Winch fixed clutch- Large, Medium, Small	1
7	58-000-08	Clutch arm- Large, Medium	1
8	58-000-01	Winch motor support- Large, Medium	1
9	58-007-05	Winch tensioner- Large, Medium	1
10	58-007-04	36" Winch housing	1
11	58-000-024	Modified pulley	1
12	58-000-020	36" Winch roller axis	1
13	58-000-006	Modified bolt	1
14	58-007-019	Plastic tubing 1 1/4" O.D.	1
15	307036	Snap-Ring 1 1/2"	2
16	301500	Nylon nut 1"-8	1
17	300700	Bolt 5/16"-18 x 1"	1
18	301350	Washer 3/8"	2
19	1RIV 50	Chaine series #50 - 36 rollers	1
20	150010	Gear wheel #50-11 teeth heavy duty	1
21	310020	Zote straight 1/4"-28	2
22	309030	Quik linck #50	1
23	108070	Hydraulic motor 315cc	1
24	150040	Bearing insert	2
25	150151	Flange bearing	2
26	309200	Spring	2
27	304010	Nylon cable 5/16" x 110' long	1
28	195-145	Cotter pin 3/32 DIA. X 3/4" LG.	1
29	310880	Spring pin 5/16" O.D. x 2"	2
30	VSPC-06-08	Screw allen 3/8" Dia. X 1/2" Long	1
31	102710	Male 3/8" - JIC x Male 7/8" - ORB	2
32	58-005-011	Winch protector	1
33	310720	Loggin chokers	1
34	310725	Quick link	1



Parts list simple directional

Item	Parts #	Description	Qty
1	59-003-08	Hitch	1
2	59-076-24	Simple directional frame	1
3	59-076-08	Pivot lock	1
4	59-076-09	Deck span 9.5	2
5	59-076-04	Pivot lock	2
6	59-076-02	Pivot simple directional	1
7	59-076-035	washer	2
8	120442	Hydraulic cylinder 3" Dia. x 16" Stroke	1
9	59-076-034	Washer	1
10	301020	Bolt 7/8"-9 x 3 1/2"	6
11	301590	Nylon nut 7/8"-9	6
12	307063	Snap-Ring 1 1/4"	2
13	307075	Snap-Ring 2"	1



Parts list Double directional

Item	Parts #	Description	Qty
1	59-076-23	Double directional frame	1
2	59-003-08	Hitch	1
3	59-076-09	Deck span 9.5	2
4	59-076-08	Pivot lock	1
5	59-076-04	Pivot lock	4
6	59-076-034	Washer	1
7	59-076-035	Washer	4
8	59-076-06	Pivot double directional	1
9	CU3008-0453	Hydraulic cylinder 3" Dia. x 8" Stroke	2
10	307063	Snap-Ring 1 1/4"	4
11	307075	Snap-Ring 2"	1
12	301020	Bolt 7/8"-9 x 3 1/2"	6
13	301590	Nylon nut 7/8"-9	6



Operation

General safety rules:

Read this instruction manual carefully before starting the loader. The technical data in this manual contains important information. Improper use can result in injury and damage to the machine .

Using a loader requires increased knowledge and experience. You must learn and know the behavior of the loader and practice using it. Study and practice the movement patterns with small loads until you master the machine completely. Stop all operations immediately if any bystanders enter the work zone (20 m).

Woody loaders are intended for normal use in the agricultural and forestry sectors. They must be used only by persons trained in the handling of this type of machinery.

- . Before connecting the loader to the tractor's hydraulic system, you must read the tractor's instruction manual to ensure proper connections.
- . Be extremely careful when connecting the loader to the tractor or the trailer to the tractor, as well as when detaching it.
- . When operating, make sure everyone remains in the safety zone, outside of the loader risk area. The operator must have full visibility of the work zone.
- . When operating, do not insert your hand or any other part of your body into the machine or under the load. Do not risk getting stuck between the different parts of the log loader or between the tractor and the trailer.
- . Do not forget to raise the stabilizers before moving the equipment.
- . When loading, always engage the tractor handbrake.
- . Never leave the boom in a raised position without having control of the loader.
- . Never use the loader to pull, push or hit.
- . Be particularly careful when loading and unloading heavy materials.
- . Never use the loading device during transport.
- . To stop the machine, lower the loader boom and grapple on a firm surface, turn off the engine, engage the handbrake and remove the key from the ignition to prevent unauthorized use.
- . The loader is not intended for lifting people.
- . Be very careful when loading or unloading near high voltage lines. Keep a safe distance from live cables.



Safety Instructions

If the overload protection of the hydraulic system is not properly adjusted or certain system functions are altered, safety cannot be ensured.

- . Always lower the hydraulic stabilizers before each operation to avoid overturning.
- . Always check that any unauthorized personnel remains outside the work risk area.
- . Never stand under a suspended load.
- . Make sure that the tractor and trailer are always on firm ground so that there is no risk of overturning. When loading, use the stabilizers to prevent tilting of the loader.
- . Make sure you always have a visual view of the work area.
- . Do not work in conditions where you may get your fingers caught or hurt yourself.

When there is a risk of overturning, immediately lower the stick boom with the control lever.

- . Hold the lever in this position until the load is on the ground. Do not interrupt the lowering movement as the risk of overturning will increase if the load stops abruptly.
- . If the tractor rolls over, follow the instructions in the cab. Do not jump out of the cab. You could end up under the load during a fall or under the tractor.

Note: Even if the stabilizers have been lowered to the ground, the risk of overturning is greater when the trailer is empty or partially loaded.

Cracks in hydraulic hoses

- . In the event of pressure loss in the hydraulic fluid or cracks in the hydraulic hoses, you must immediately shut down the tractor engine and lower the load to the ground. Stop the hydraulic flow. Repair the leak.
- . If the main pressure hose between the tractor and the control system is cracked, you must interrupt the oil flow by disconnecting the lever control associated with the tractor's hydraulic distributor or by shutting off the engine with the OFF button.



Safety Instructions

Driving on the Road

Observe the following instructions to avoid any risk of accident.

Position during Transport

- . If there is no load, position the loader boom as low as possible on the trailer. Make sure that the grapple and the rotator are firmly attached to the trailer, so that there is no risk of the loader rolling over during transport
- . Make sure that none of the additional equipment connected to the loader is likely to cause an accident during transport.

Control is Important

- . You must constantly be in control of the machine at all times and in all situations
- . Check that the "slow vehicle" plate and the reflective signals are correctly positioned. Check if the trailer lights are functioning correctly and check the tire pressure.
- . The total permitted weights (in particular the weight of the axle) and the transport dimensions must never be exceeded.
- . You must adapt your speed to the driving situation. Drive with caution when one side is tilted, as well as on sloping ground. There is a risk of over turning.
- . Respect the laws of the road and applicable regulations.
- . The braking distance of a tractor equipped with a trailer is longer than for other vehicles, beware of the risk of skidding and check for irregularities in the road.
- . Secure the load and other loose parts securely.

Oil and Grease Caution

- . Avoid any oil or grease contact with the skin during maintenance. Wear appropriate protective clothing.
- . Never wash your hands with lubricating oil or grease. It may damage your skin. If your skin is irritated after contact with oil or grease, contact a doctor immediately.
- . When servicing, waste oil should be disposed of in accordance with local regulations.



Safety Instructions

Welding Repair

. If a repair or modification requires the welding of certain parts, you must first contact your dealer for necessary instructions. Improper welding or negligence during welding can cause sudden machine breakdowns.

Working in Extreme Conditions

. The recommended ambient temperature for the operation of this machine is between -20 °C and +30 °C. Low or high temperatures result in increased wear and stress on joints and hoses. In addition, steel wears faster, and cracks can occur.

. When working in extreme conditions, reduce loads to prevent damage. In case of low temperature let the hydraulic oil circulate freely during several minutes. Then operate each function several times to soften the joints and hoses before applying full pressure. When it is extremely hot, pay attention to the oil temperature. A temperature above 80 °C alters the properties of the oil and damages joints and hoses.

Maintenance / Service

. Regular maintenance and service ensure optimal and cost effective operation.

. Note: Failure to follow the instructions in this manual will void all warranties related to this machine. Regular and proper maintenance are a prerequisite for warranty coverage.

Maintenance and Servicing Safety Instructions

. Regular maintenance and service ensure optimal and cost effective operation.

. Note: Failure to follow the instructions in this manual will void all warranties related to this machine. Regular and proper maintenance are a prerequisite for warranty coverage.

. Read the instructions before servicing the machine. Each maintenance task requires reading and following instructions. Maintenance and lubrication should be done at the recommended intervals.

. Always use tools suitable for the maintenance / servicing tasks involved. Wear protective clothing and glasses.

. Shut off the tractor engine and remove the ignition key. If the engine has to run during certain maintenance operations, please stay away from any moving parts of the machine.

. Be extremely careful with pressurized oil. Oil under high pressure easily penetrates the skin. In case of accident, consult a doctor immediately.



Safety Instructions

Maintenance and Servicing Safety Instructions

- . Hot oil can cause burns. Inhalation of hot oil vapor can cause breathing difficulties.
- . If a hose bursts and you get oil on your skin, it is not dangerous. However, avoid oil contact with eyes and nose. If you get oil in your eyes or in your respiratory tract, contact a doctor immediately.
- . Keep explosive and flammable liquids away from sparks and open flames.

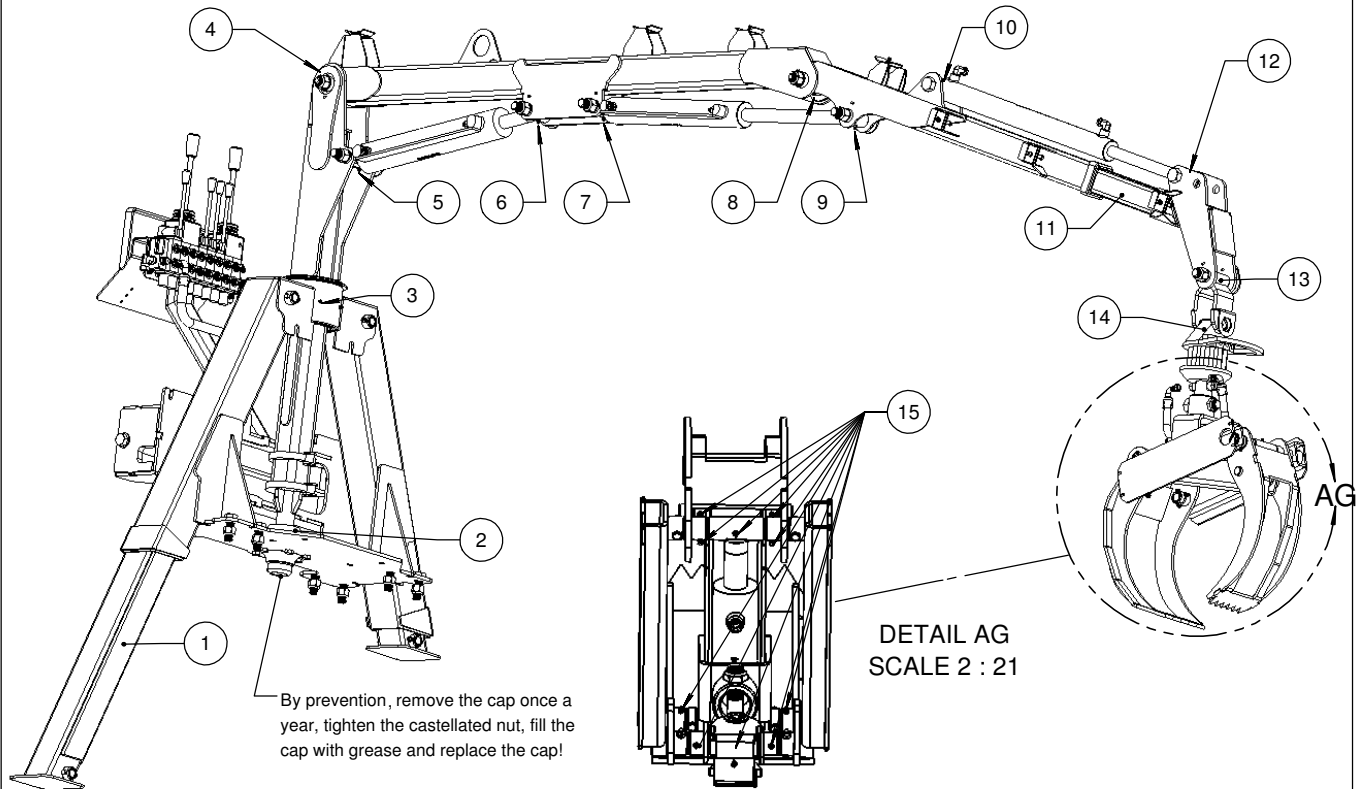
Daily inspections

It is important to inspect the equipment daily. If you notice a defect, you must repair it immediately.

- . When under load pressure, worn bolts can provoke a risk of rupture. If cracks are detected on the loader, any operation in progress must be stopped immediately.
- . Damaged hoses must be replaced immediately. Check for leaks. Oil leaks create a risk of accidents and can harm the environment.
- . Check the bolts and tighten the bolts if necessary.
- . Perform the various movement patterns of the loader to verify that all functions are intact and working properly.

Safety Instructions

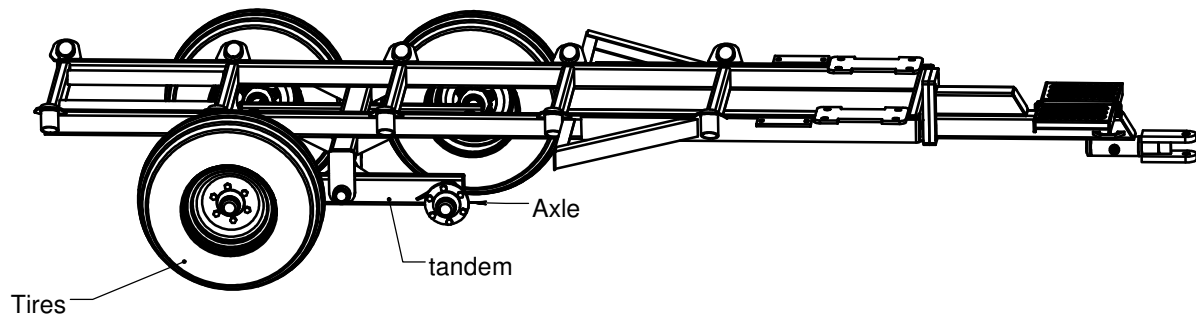
Greasing points and intervals



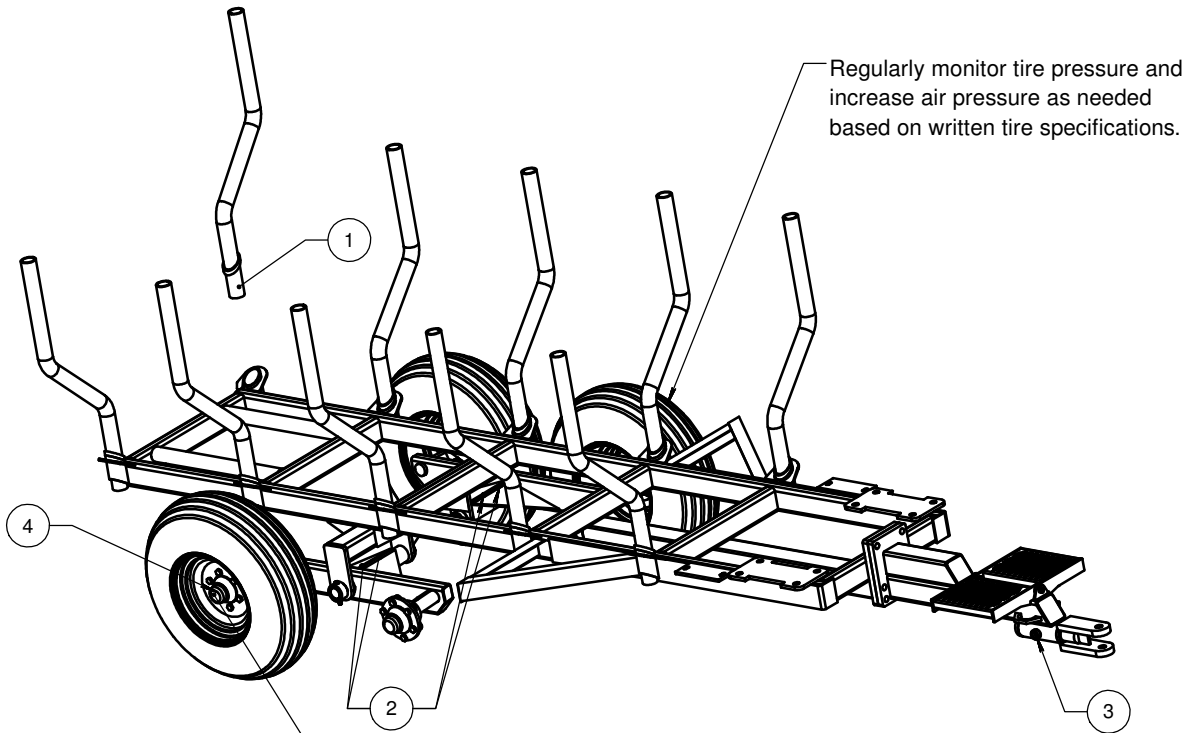
Item	Greasing point	Lubricating oil	Greasing Interval hourly / yearly
1	Telescopic stabilizer	Bushing grease	Once a year, generously
2	Hub/bearing	Bearing grease	Every 10 hours
3	Rotation	Bushing grease	Every 10 hours
4	Front pin	Bushing grease	Every 10 hours
5	Cylinder pin	Bushing grease	Every 10 hours
6	Cylinder pin	Bushing grease	Every 10 hours
7	Cylinder pin	Bushing grease	Every 10 hours
8	Center booms pin	Bushing grease	Every 10 hours
9	Cylinder pin	Bushing grease	Every 10 hours
10	Cylinder pin	Bushing grease	Once a year
11	Telescopic boom	Bushing grease	Once a year, generously
12	Cylinder pin	Bushing grease	Once a year
13	Grapple pins	Bushing grease	Every 10 hours
14	Rotator pin	Bushing grease	Every 10 hours
15	Grapple greasing points	Bushing grease	Every 5 hours



Trailer Parts List



# Trailer	# Assembly	# Assembly tandem	Axle	Tires
11-74	59-013	59-024-03	5000 Lb	12.5L15
11-74	59-150	59-081-02	8000 Lb	385-65-22.5
11-74	59-151	59-082-07	8000 Lb	400-60-15.5
13-78	59-014	59-024-03	5000 Lb	12.5L15
13-78	59-125	59-082-07	8000 Lb	12.5L15
13-78	59-161	59-082-07	8000 Lb	400-60-15.5
13-78	59-081	59-081-02	8000 Lb	16.5L16.1
13-78	59-162	59-081-02	8000 Lb	385-65-22.5
14-80	59-015	59-082-07	8000 Lb	12.5L15
14-80	59-163	59-082-07	8000 Lb	400-60-15.5
14-80	59-079	59-081-02	8000 Lb	16.5L16.1
14-80	59-164	59-081-02	8000 Lb	385-65-22.5

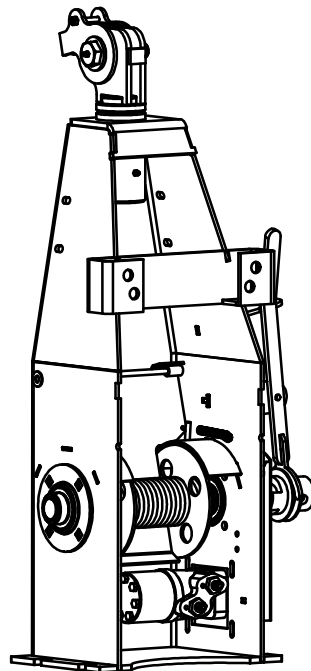
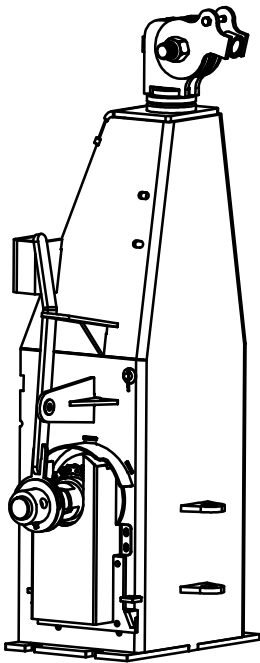


By prevention, remove the cap once a year, tighten the castellated nut, fill the cap with grease and replace the cap!

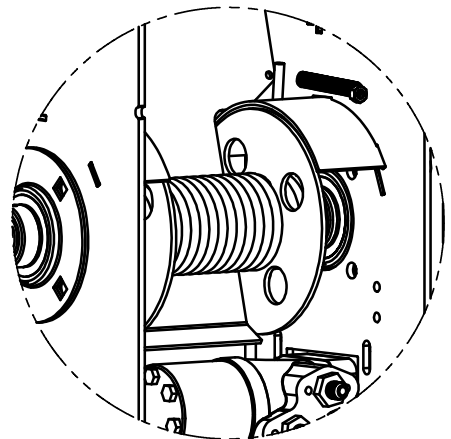
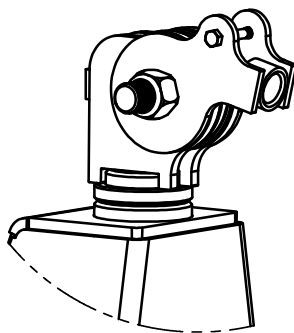
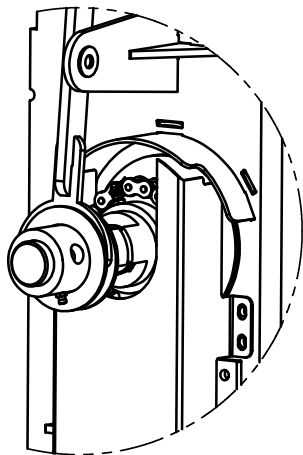
Item	Greasing point	Lubricating oil	Greasing Interval hourly / yearly
1	Posts	Bushing grease	Once a year, generously
2	Tandem pin	Bushing grease	Every 10 hours
3	Hitch pin	Bushing grease	Every 10 hours
4	Hub/moyeu	Bushing grease	Every 10 hours



Maintenance and safety instructions for proper use of the 6000 Lb hydraulic winch



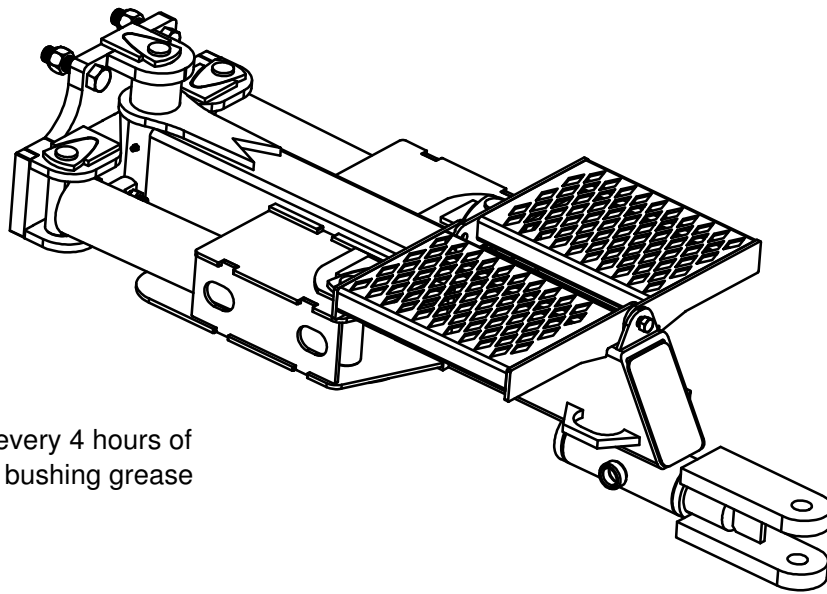
Grease every 4 hours of use with bushing grease.



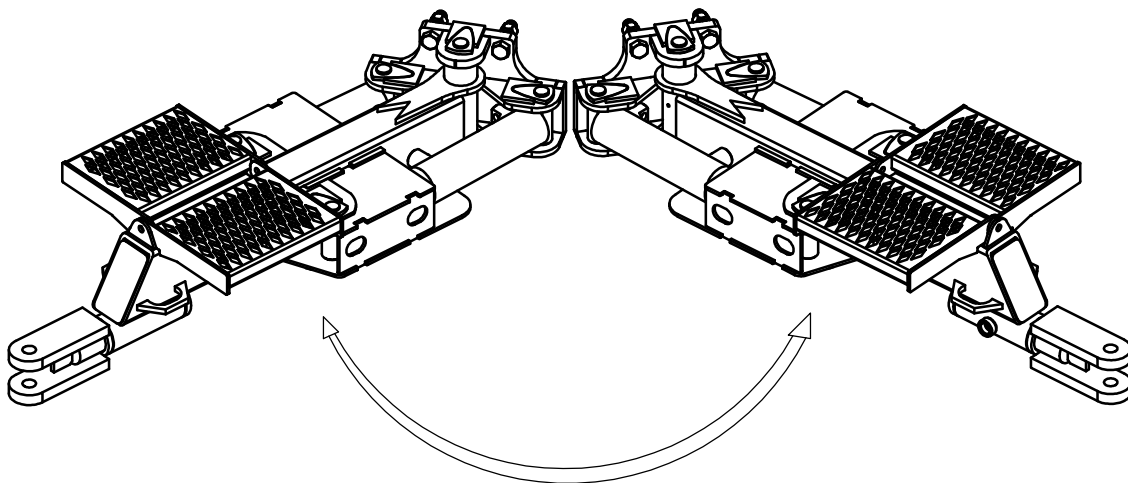
Caution: Risk of crushing your finger or hand and could even lead to death!!!



Maintenance and safety instructions for proper use of a double drawbar



Grease every 4 hours of
use with bushing grease



Make sure that no one is standing in the
perimeter and also make sure no one is
standing on the step!



Safety Instructions

Storage

If you plan to stop using the loader for a long period of time, it should be cleaned carefully. Note that high pressure cleaning is not recommended! After cleaning, make a visual inspection for any cracks (if you find any, you must have them repaired before the next use of the loader) all grease nipples must be lubricated. The grease is used to evacuate water and thus neutralize corrosion and wear.

. Store the loader under a roof. If this is not possible, cover it with a tarpaulin.

. Place loader boom and grapple in the transport position.

Note: A stored loader is not a play area for children.



1 YEAR LIMITED WARRANTY

Les Équipements Woody Inc.

Warranty Qualifications

Les Équipements Woody Inc. (hereinafter referred to as "Woody") warrants its Log Loader (hereinafter referred to as the "Product" against defects in material or factory workmanship, subject to all the terms and conditions stated herein.

All Products manufactured by Woody and used for domestic purposes (excluding commercial and industrial use) are covered by a one (1) year warranty applicable from the purchase date, except in particular cases when the warranty might be modified according to adjustments specified on the sales contract.

The warranty extends only to the original purchaser (hereinafter referred to as the "Buyer") of the Product and not to other purchasers or transferees unless agreed to in writing by Woody that the mechanical and electrical components will be free of defects in material and workmanship for the warranty period. The warranty covers all the parts of the new Product, except the hydraulic hoses, the hydraulic fittings and the electrical wires, and includes the labor performed by Woody or by a Woody authorized Dealer (hereinafter referred to as the "Dealer").

Warranty Repair and Replacement Service

All warranted repairs must be performed by Woody or by an authorized Dealer with the written consent of Woody, otherwise the warranty will be voided. Woody reserves the right to either repair or replace, without cost to the buyer any part judged defective on grounds of defective materials or workmanship. It also reserves the right to determine if the defect resulted from lack of maintenance or incorrect or abusive use of the Product.

In the event of any failure caused by a defect in material or in factory workmanship covered by this warranty, the Buyer shall: (1) notify Woody of the nature of the problem without delay; (2) stop using or operating the Product, unless authorized in writing by Woody.

Warranty service shall be performed at the point of purchase of the Product either by Woody or by a Dealer using parts provided by Woody.

If the Product was purchased directly from Woody, the Buyer shall return either the Product or the defective parts "prepaid" to Woody without delay. If Woody deems that the parts are in fact defective, it shall repair or replace the parts and, when the Product is returned to Woody, install them free of charge to the Buyer.

If the Product was purchased from a Dealer, Woody shall provide the replacement parts to the Buyer through the intermediary of the Dealer. The Dealer shall install the parts and return the replaced parts to Woody, "prepaid" by the Buyer, within thirty (30) days of the repairs. The parts and their installation shall be without charge to the Buyer providing that the replaced parts are proven defective to Woody's satisfaction.

In all cases, all costs related to the transportation of parts or of the Product to and from Woody or the Dealer, any premium charged for overtime labor requested by the Buyer or for any service and/or maintenance shall be the sole responsibility of the Buyer.

All parts replaced under the warranty shall remain the property of Woody.

If the Buyer fails to follow any of the above procedures or if the parts are not proven to be defective to Woody's satisfaction, the Buyer shall not benefit from the warranty.



No Dealer Warranty

The Dealer has no authority to make any representation or promise on behalf of Woody, or to modify the terms or limitations of this warranty in any way.

Warranty Exclusions

This warranty does not cover the following:

Product needs periodic parts and service to perform well. This warranty does not cover repair when normal use has exhausted the life of a part or the equipment as a whole or by lack of reasonable and proper maintenance, by lack of proper protection during storage, by failure to follow operating instructions and/or failure to operate the Product according to the specifications outlined by Woody.

This warranty does not apply to damage caused to the Product or machinery by the Buyer or Dealer during installation of the Product or due to improper installation of the Product.

This warranty will not apply to parts and/or labour if this Product is deemed to have been misused, neglected, involved in an accident, abused or defects caused by any alteration or modification of the Product not approved in writing by Woody.

Other Exclusions

This warranty excludes:

- Cosmetic defects such as paint, decals, etc.
- Any damage resulting from overturning the machine.
- Failures due to acts of God and any other major force events beyond Woody's control.
- Problems caused by parts that are not original Woody parts.
- Certain parts are guaranteed by their respective manufacturer.

Limits of Implied Warranty and Consequential Damage

Woody disclaims any obligation to cover any material or personal damages, including loss of time, loss of income use of this Product, replacement rental, freight or any other damages caused by a defective Product or any incidental or consequential claim by anyone from using this Product.

Contact information

Address

Les Équipements Woody Inc.
205 rue Commerciale
Saint-Odilon (QC)
Canada G0S 3A0

www.equipementswoody.com

Parts and Service

T. 418 464-274

F. 418 464-274

info@equipementswoody.com