



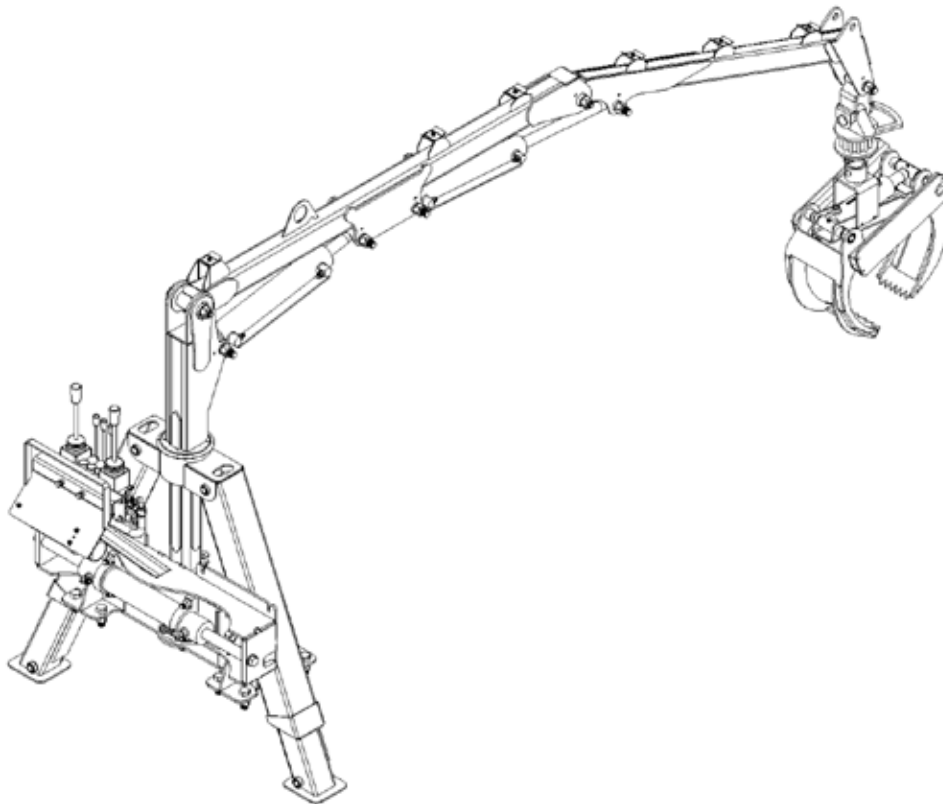
Woody Log Loader, models

130 HD | 150 HD | 170 HD

130 HDT | 150 HDT | 170 HDT

OPERATOR'S AND MAINTENANCE MANUAL

MADE IN CANADA



Keep this manual handy for use when ordering replacement parts and performing maintenance.

When ordering parts, mention part name and part number.

Always specify your model number and serial number to ensure delivery of correct parts.

Table of Contents

Introduction	4
Contact information.....	4
Security Label Symbols	5
130 HD Loader assembly	6
130 HDT Loader assembly	8
150 HD Loader assembly	11
150 HDT Loader assembly.....	13
170 HD Loader assembly.....	16
170 HDT Loader assembly.....	18
8 Sections Valve Q30.....	21
36" Log Grapple	22
42" Log Grapple	24
52" Log Grapple	26
6000 lbs Hydraulic Winch assembly	28
24" Dipper Dredger for 36" Grapple.....	30
24" Dipper Dredger for 42" Grapple.....	31
24" Dipper Dredger for 52" Grapple.....	32
9 HP Power Unit assembly	33
13 HP Power Unit assembly	35
Hydraulic hoses.....	37
Forestry Trailer assembly	38
Forestry Trailer assembly	40
Forestry Trailer (Older models)	42
Road Trailer assembly	43
Gravel Bin assembly	45

Wheel Hub and Spindle Kit.....	47
Single drawbar assembly	49
Single drawbar assembly	50
Single cylinder directional drawbar assembly.....	51
Double cylinder directional drawbar assembly	53
Safety Guidelines.....	55
Cracks in hydraulic hoses.....	56
Driving on the Road.....	57
Position during Transport.....	57
Control is Important	57
Oil and Grease Caution.....	57
Welding Repair	58
Working in Extreme Conditions	58
Maintenance / Service	58
Maintenance and Servicing Safety Instructions.....	58
Maintenance and Servicing Safety Instructions.....	59
Daily inspections.....	59
Loader Maintenance Instructions	60
Forestry Trailer Maintenance.....	61
Winch Maintenance and Safety Instructions.....	62
Double Drawbar Maintenance and Safety Instructions.....	63
Storage.....	64
1 YEAR LIMITED WARRANTY	65

Introduction

Congratulations on your purchase of a Woody Log Loader. Woody Equipment designs and manufactures machinery that meets stringent criteria, tailored for professional use in both the agricultural and forestry sectors.

Regardless of your prior experience with similar equipment, we urge you to read the enclosed instructions thoroughly. They provide crucial details about safety and operational efficiency that are essential for maintaining the validity of the factory warranty.

Please note that Woody Equipment reserves the right to update and enhance both our equipment and maintenance guidelines, as well as to amend specifications without prior notification.

For your convenience, record the serial number, model number, purchase date, dealer name, and the name of your sales representative in the space below. Having this information on hand is vital when ordering replacement parts, seeking technical support, or addressing warranty matters.

Serial number	
Model number	
Date purchased	
Dealer	
Sales Rep.	

Contact information

When ordering replacement parts please contact Woody Equipment or your closest authorized Woody Equipment dealer.

WOODY EQUIPMENT INC.	T. 418 464-2748
205 rue Commerciale	F. 418 464-2746
Saint-Odilon (QC)	info@equipementswoody.com
Canada G0S 3A0	www.equipementswoody.com

© All rights Reserved. Woody Equipment of Saint-Odilon-de-Cranbourne.

No parts of this manual may be reproduced in any form without the written permission of Woody Equipment Inc.

Security Label Symbols

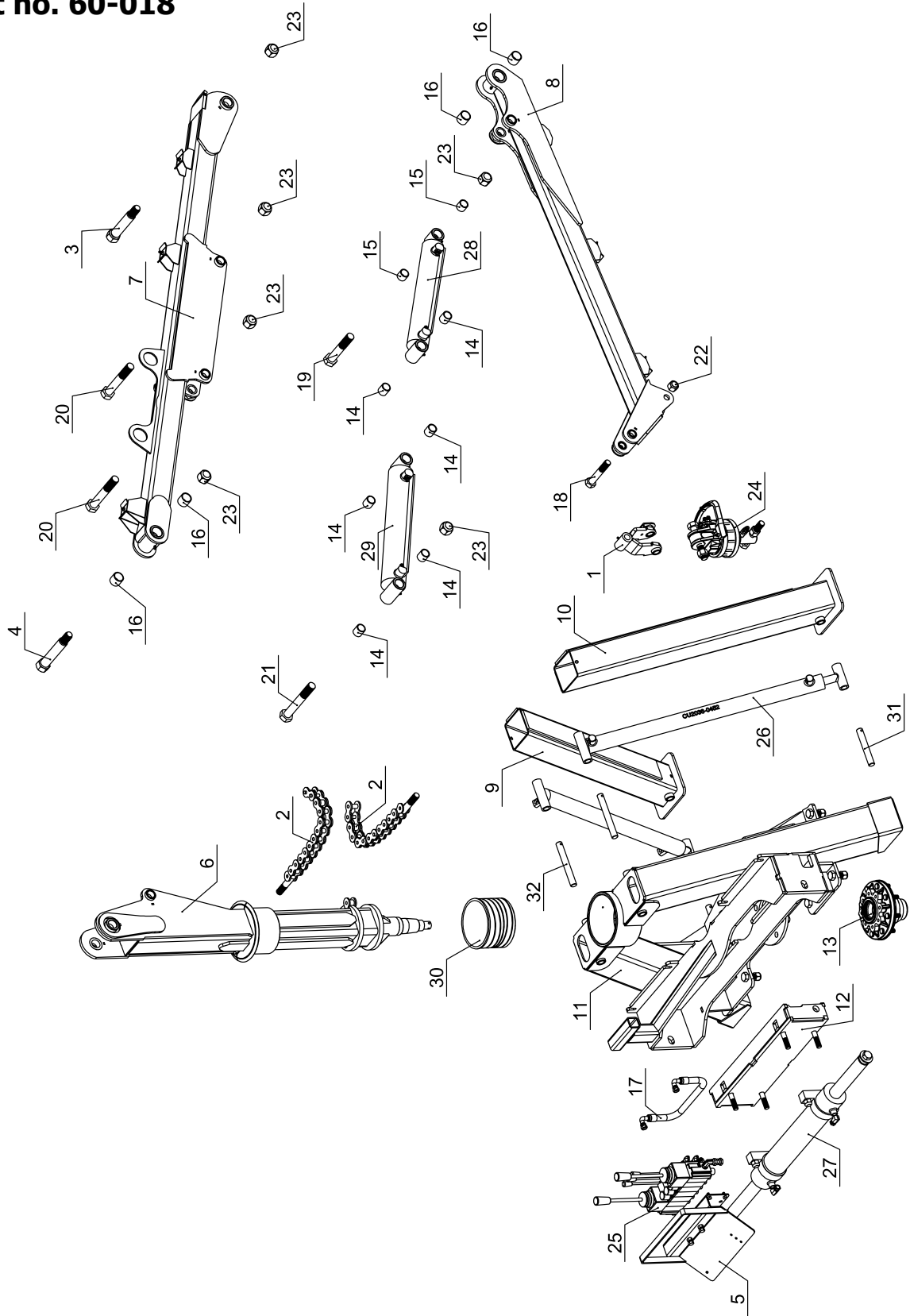
The security labels installed on your equipment and illustrated below are intended to alert the operator to potential hazards associated with operating this equipment.

Adherence to these safety guidelines is imperative to prevent the risk of severe injury or death.



130 HD Loader assembly

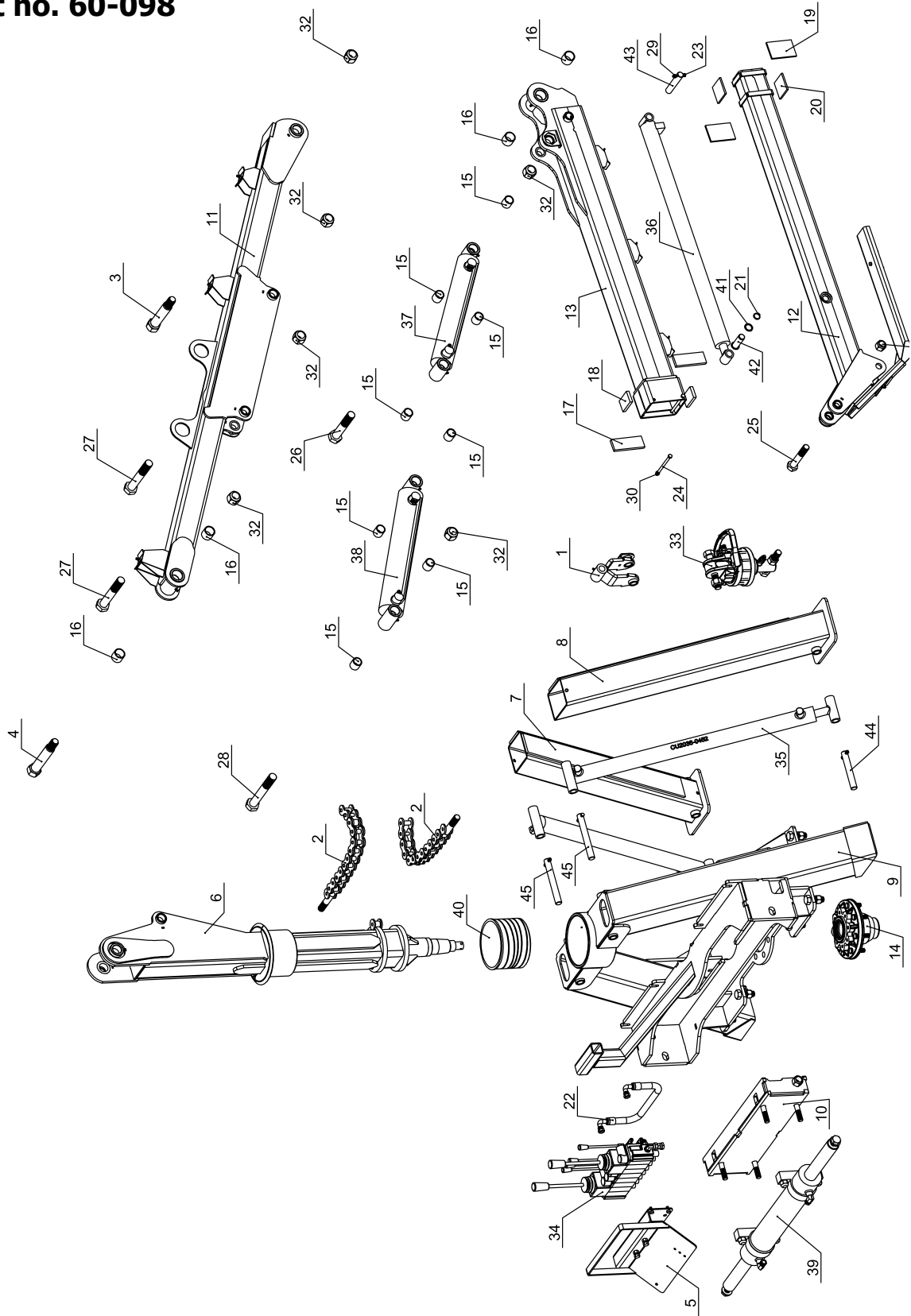
Part no. 60-018



PARTS LIST - LOADER 130 HD, PART NO. 60-018			
ITEM	PART NO.	DESCRIPTION	QTY
1	57-000-04	Grapple yoke	1
2	60-004-08	Rotation chain	2
3	60-006-08	Stick boom pin	1
4	60-006-09	Main boom pin	1
5	60-010-04	Control valve support	1
6	60-018-02	Loader column	1
7	60-018-03	Main boom	1
8	60-018-04	Stick boom	1
9	60-018-05	Telescopic stabilizer leg	1
10	60-018-06	Telescopic stabilizer leg	1
11	60-018-14	Loader frame	1
12	60-020-30	Loader swing	1
13	306401	Hub 10000 lbss 8 nut assembly	1
14	111012	Bushing 1.25 x 1.5 x 1.5	6
15	111012	Bushing 1.25 x 1.5 x 1.5	2
16	111020	Bushing 1.5 x 1.75 x 1.5	4
17	140040-020-100600-100600	Hose assembly 1/2" - 20" long	1
18	300320	Bolt 1"-8 x 6" long	1
19	300280	Bolt 1 1/4"-12 x 7" long	1
20	300281	Bolt 1 1/4"-12 x 8" long	2
21	300290	Bolt 1 1/4"-12 x 9" long	1
22	301500	Nylon nut 1"-8	3
23	301530	Nylon nut 1 1/4"-12	6
24	199309	Rotator assembly CR30	1
25	130240	Control valve Q30/7 with shock absorber	1
26	120232	Hydraulic cylinder 2" x 36" stroke	2
27	121080	Double hydraulic cylinder 3 1/2" x 19 1/2"	1
28	120482	Hydraulic cylinder 3" x 16" stroke	1
29	120652	Hydraulic cylinder 3 1/2" x 18" stroke	1
30	60-003-055	Rotation sleeve	1

130 HDT Loader assembly

Part no. 60-098

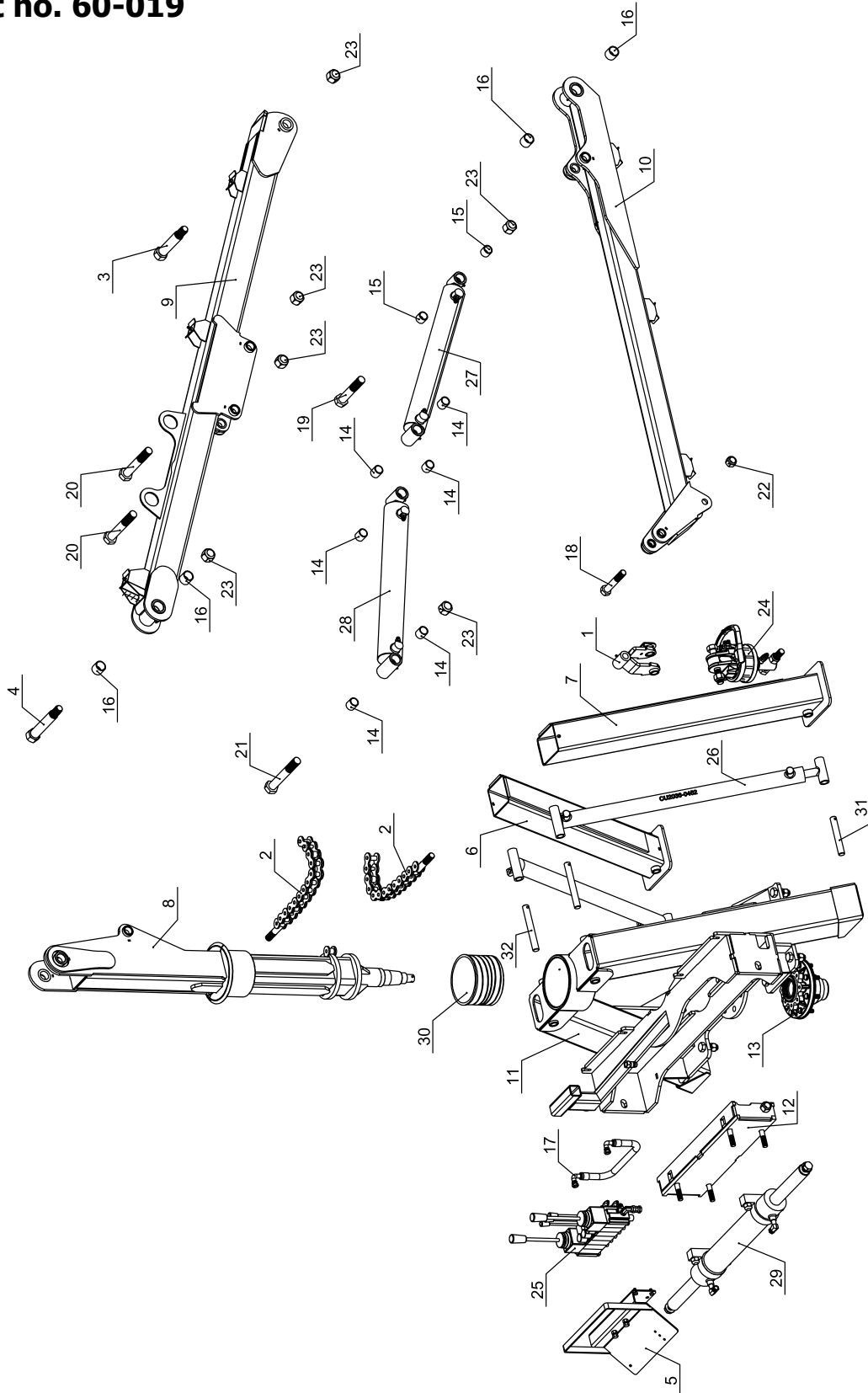


PARTS LIST - LOADER 130 HDT, PART NO. 60-098			
ITEM	PART NO.	DESCRIPTION	QTY
1	57-000-04	Grapple yoke	1
2	60-004-08	Rotation chain	2
3	60-006-08	Stick boom pin	1
4	60-006-09	Main boom pin	1
5	60-010-04	Control valve support	1
6	60-018-02	Loader column	1
7	60-018-05	Telescopic stabilizer leg	1
8	60-018-06	Telescopic stabilizer leg	1
9	60-018-14	Loader frame	1
10	60-020-30	Loader swing	1
11	60-030-02	Main boom	1
12	60-096-11	Telescopic boom	1
13	60-096-12	Stick boom	1
14	306401	Hub 10000 lbss 8 nuts assembly	1
15	111012	Bushing 1.25 x 1.5 x 1.5	8
16	111020	Bushing 1.5 x 1.75 x 1.5	4
17	60-096-002	Telescopic guide	2
18	60-096-003	Telescopic guide	2
19	60-096-007	Telescopic guide	2
20	60-076-006	Telescopic guide	2
21	307060	Snap-ring 1" thick	2
22	140040-020-100600-100600	Hose assembly 1/2" - 20" long	1
23	300730	Bolt 5/16"-18 x 2" long	5
24	300597	Bolt 3/8"-16 x 6" long	2
25	300320	Bolt 1"-8 x 6" long	1
26	300280	Bolt 1 1/4"-12 x 7" long	1
27	300281	Bolt 1 1/4"-12 x 8" long	2
28	300290	Bolt 1 1/4"-12 x 9" long	1
29	301560	Nylon nut 5/16"-18	13
30	301550	Nylon nut 3/8"-16	2
31	301500	Nylon nut 1"-8	3
32	301530	Nylon nut 1 1/4"-12	6
33	199309	Rotator assembly CR30	1
34	130250	Control valve Q30/8 with shock absorber	1
35	120232	Hydraulic cylinder 2" x 36" stroke	2

PARTS LIST - LOADER 130 HDT, PART NO. 60-098			
ITEM	PART NO.	DESCRIPTION	QTY
36	120233	Hydraulic cylinder 2" x 36" stroke	1
37	120482	Hydraulic cylinder 3" x 16" stroke	1
38	120652	Hydraulic cylinder 3 1/2" x 18" stroke	1
39	121080	Double hydraulic cylinder 3 1/2" x 19 1/2" stroke	1
40	60-003-055	Rotation sleeve	1
41	60-000-150	Sleeve	2
42	60-030-049	Pin	1
43	60-098-010	Pin 1" O.D.	1
44	86-16-108-E08-00	Pin 1" O.D.	2
45	86-16-130-E08-00	Pin 1" O.D.	2

150 HD Loader assembly

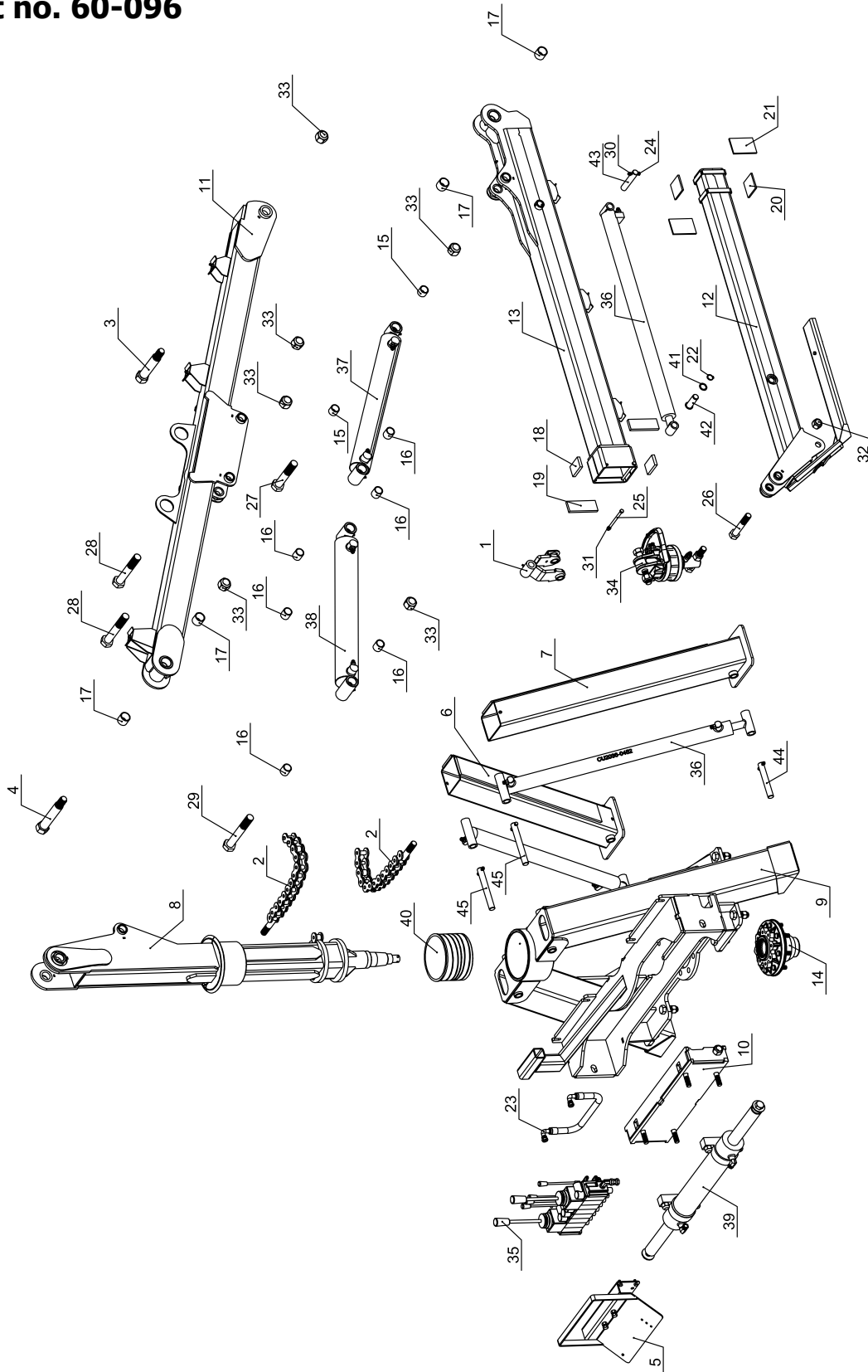
Part no. 60-019



PARTS LIST - LOADER 150 HD, PART NO. 60-019			
ITEM	PART NO.	DESCRIPTION	QTY
1	57-000-04	Grapple yoke	1
2	60-004-08	Rotation chain	2
3	60-006-08	Stick boom pin	1
4	60-006-09	Main boom pin	1
5	60-010-04	Control valve support	1
6	60-018-05	Telescopic stabilizer leg	1
7	60-018-06	Telescopic stabilizer leg	1
8	60-019-02	Loader column	1
9	60-019-03	Main boom	1
10	60-019-04	Stick boom	1
11	60-019-11	Loader frame	1
12	60-020-30	Loader swing	1
13	306401	Hub 10000 lbss 8 nuts assembly	1
14	111012	Bushing 1.25 x 1.5 x 1.5	6
15	111012	Bushing 1.25 x 1.5 x 1.5 (1 1/4 long)	2
16	111020	Bushing 1.5 x 1.75 x 1.5	4
17	140040-020-100600-100600	Hose Assembly 1/2" - 20" long	1
18	300320	Bolt 1"-8 x 6" long	1
19	300280	Bolt 1 1/4"-12 x 7" long	1
20	300281	Bolt 1 1/4"-12 x 8" long	2
21	300290	Bolt 1 1/4"-12 x 9" long	1
22	301500	Nylon nut 1"-8	3
23	301530	Nylon nut 1 1/4"-12	6
24	199309	Rotator assembly CR30	1
25	130240	Control valve Q30/7 with shock absorber	1
26	120232	Hydraulic cylinder 2" x 36" stroke	2
27	120512	Hydraulic cylinder 3" x 24" stroke	1
28	120672	Hydraulic cylinder 3 1/2" x 24" stroke	1
29	121080	Double hydraulic cylinder 3 1/2" x 19 1/2" stroke	1
30	60-003-055	Rotation sleeve	1
31	86-16-108-E08-00	Pin 1" O.D.	2
32	86-16-130-E08-00	Pin 1" O.D.	2

150 HDT Loader assembly

Part no. 60-096

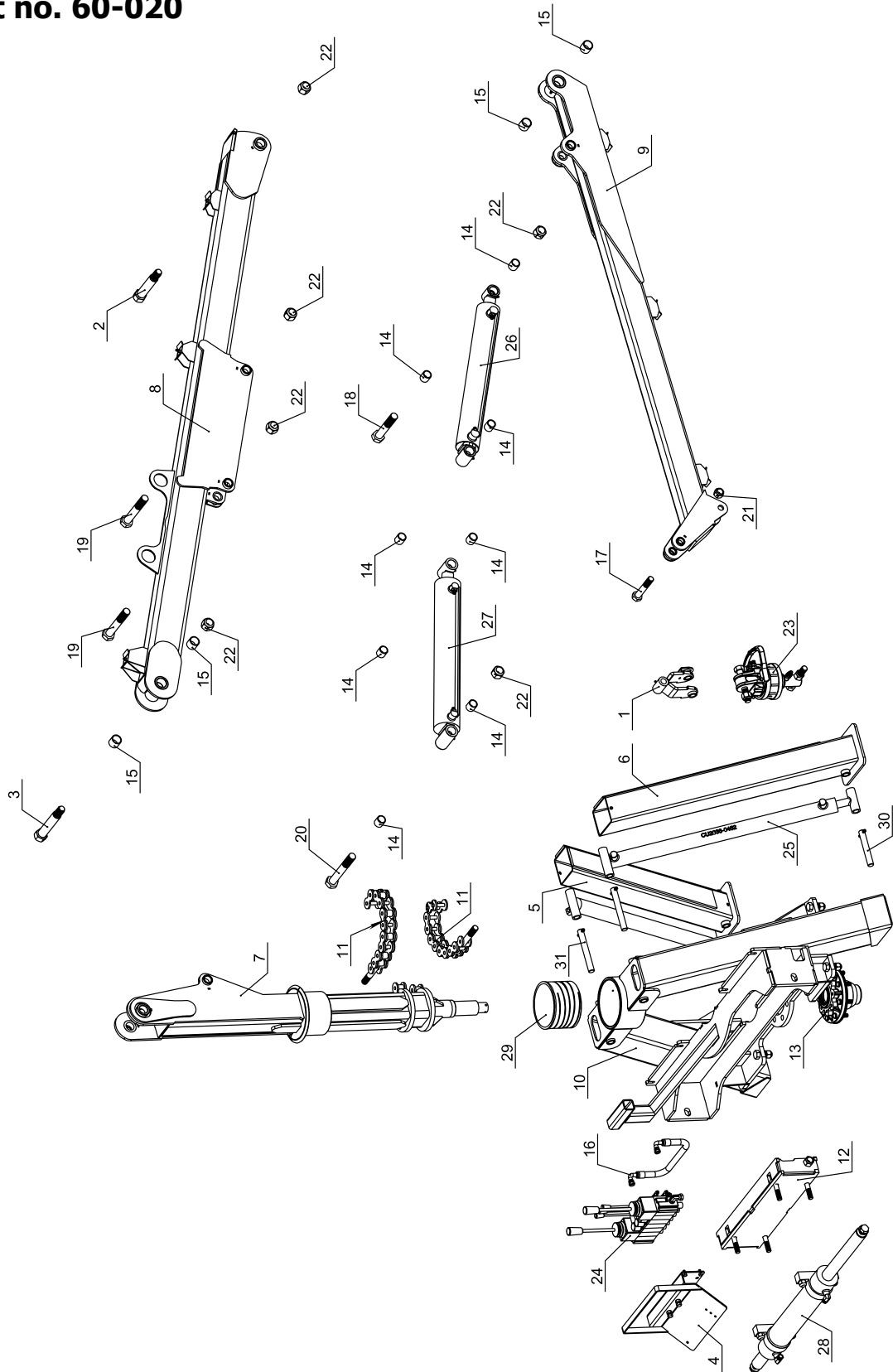


PARTS LIST - LOADER 150 HDT, PART NO. 60-096			
ITEM	PART NO.	DESCRIPTION	QTY
1	57-000-04	Grapple yoke	1
2	60-004-08	Rotation chain	2
3	60-006-08	Stick boom pin	1
4	60-006-09	Main boom pin	1
5	60-010-04	Control valve support	1
6	60-018-05	Telescopic stabilizer leg	1
7	60-018-06	Telescopic stabilizer leg	1
8	60-019-02	Loader column	1
9	60-019-11	Loader frame	1
10	60-020-30	Loader swing	1
11	60-096-02	Main boom	1
12	60-096-11	Telescopic boom	1
13	60-096-12	Stick boom	1
14	306401	Hub 10000 lbs 8 nuts assembly	1
15	111012	Bushing 1.25 x 1.5 x 1.5 (1 1/4 long)	2
16	111012	Bushing 1.25 x 1.5 x 1.5	6
17	111020	Bushing 1.5 x 1.75 x 1.5	4
18	60-096-003	Telescopic guide	2
19	60-096-002	Telescopic guide	2
20	60-076-006	Telescopic guide	2
21	60-096-007	Telescopic guide	2
22	307060	Snap-ring 1" thick	2
23	140040-020-100600-100600	Hose assembly 1/2" - 20" long	1
24	300730	Bolt 5/16"-18 x 2" long	5
25	300597	Bolt 3/8"-16 x 6" long	2
26	300320	Bolt 1"-8 x 6" long	1
27	300280	Bolt 1 1/4"-12 x 7" long	1
28	300281	Bolt 1 1/4"-12 x 8" long	2
29	300290	Bolt 1 1/4"-12 x 9" long	1
30	301560	Nylon nut 5/16"-18	13
31	301550	Nylon nut 3/8"-16	2
32	301500	Nylon nut 1"-8	3
33	301530	Nylon nut 1 1/4"-12	6
34	199309	Rotator assembly CR30	1
35	130250	Control valve Q30/8 with shock absorber	1

PARTS LIST - LOADER 150 HDT, PART NO. 60-096			
ITEM	PART NO.	DESCRIPTION	QTY
36	120232	Hydraulic cylinder 2" x 36" stroke	3
37	120512	Hydraulic cylinder 3" x 24" stroke	1
38	120672	Hydraulic cylinder 3 1/2" x 24" stroke	1
39	121080	Double hydraulic cylinder 3 1/2" x 19 1/2" stroke	1
40	60-003-055	Rotation sleeve	1
41	60-000-150	Sleeve	2
42	60-030-049	Pin	1
43	86-16-86-E08-00	Pin 1" O.D.	1
44	86-16-108-E08-00	Pin 1" O.D.	2
45	86-16-130-E08-00	Pin 1" O.D.	2

170 HD Loader assembly

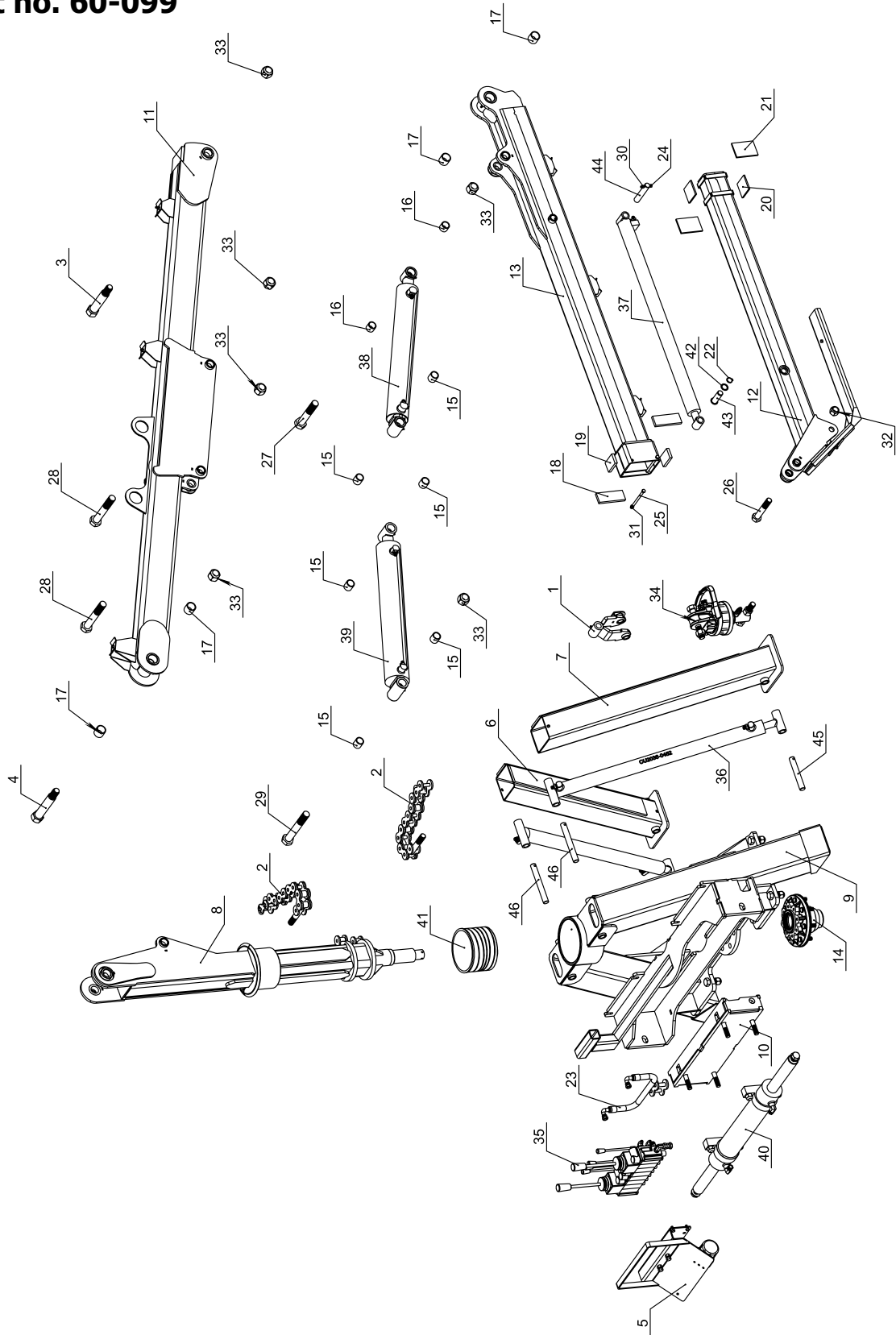
Part no. 60-020



PARTS LIST - LOADER 170 HD, PART NO. 60-020			
ITEM	PART NO.	DESCRIPTION	QTY
1	57-000-04	Grapple yoke	1
2	60-006-08	Stick boom pin	1
3	60-006-09	Main boom pin	1
4	60-010-04	Control valve support	1
5	60-018-05	Telescopic stabilizer leg	1
6	60-018-06	Telescopic stabilizer leg	1
7	60-020-02	Loader column	1
8	60-020-03	Main boom	1
9	60-024-04	Stick boom	1
10	60-020-10	Loader frame	1
11	60-020-22	Rotation chain	2
12	60-020-30	Loader swing	1
13	306401	Hub 10000 lbss 8 nuts assembly	1
14	111012	Bushing 1.25 x 1.5 x 1.5	8
15	111020	Bushing 1.5 x 1.75 x 1.5	4
16	140040-020-100600-100600	Hose assembly 1/2" - 20" long	1
17	300320	Bolt 1"-8 x 6" long	1
18	300280	Bolt 1 1/4"-12 x 7" long	1
19	300281	Bolt 1 1/4"-12 x 8" long	2
20	300290	Bolt 1 1/4"-12 x 9" long	1
21	301500	Nylon nut 1"-8	3
22	301530	Nylon nut 1 1/4"-12	6
23	199309	Rotator assembly CR30	1
24	130240	Control valve Q30/7 with shock absorber	1
25	120232	Hydraulic cylinder 2" x 36" stroke	2
26	120675	Hydraulic cylinder 3 1/2" x 24" stroke	1
27	120835	Hydraulic cylinder 4" dia. x 24" stroke	1
28	121080	Double hydraulic cylinder 3 1/2" x 19 1/2" stroke	1
29	60-003-055	Rotation sleeve	1
30	86-16-108-E08-00	Pin 1" O.D.	2
31	86-16-130-E08-00	Pin 1" O.D.	2

170 HDT Loader assembly

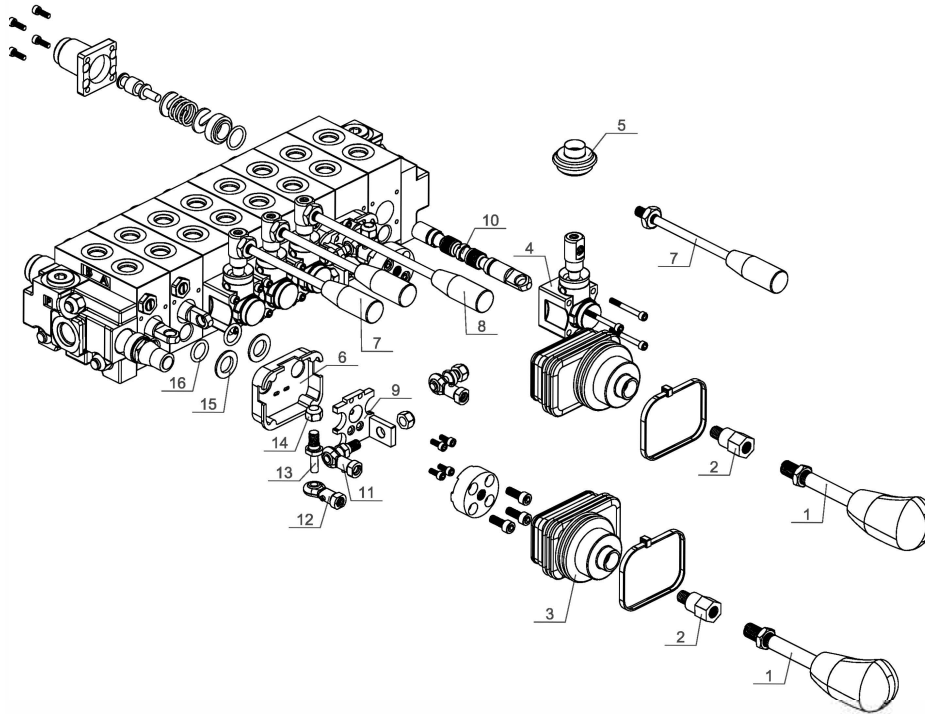
Part no. 60-099



PARTS LIST - LOADER 170 HDT, PART NO. 60-099			
ITEM	PART NO.	DESCRIPTION	QTY
1	57-000-04	Grapple yoke	1
2	60-020-06	Rotation chain	2
3	60-006-08	Stick boom pin	1
4	60-006-09	Main boom pin	1
5	60-010-04	Control valve support	1
6	60-018-05	Telescopic stabilizer leg	1
7	60-018-06	Telescopic stabilizer leg	1
8	60-020-02	Loader column	1
9	60-020-10	Loader frame	1
10	60-020-30	Loader swing	1
11	60-032-02	Main boom	1
12	60-096-11	Telescopic boom	1
13	60-099-12	Stick boom	1
14	306401	Hub 10000 lbss 8 nuts assembly	1
15	111012	Bushing 1.25 x 1.5 x 1.5	6
16	111012	Bushing 1.25 x 1.5 x 1.5 (1 1/4 long)	2
17	111020	Bushing 1.5 x 1.75 x 1.5	4
18	60-096-002	Telescopic guide	2
19	60-096-003	Telescopic guide	2
20	60-076-006	Telescopic guide	2
21	60-096-007	Telescopic guide	2
22	307060	Snap-ring 1" thick	2
23	140040-020-100600-100600	Hose assembly 1/2" - 20" long	1
24	300730	Bolt 5/16"-18 x 2" long	5
25	300597	Bolt 3/8"-16 x 6" long	2
26	300320	Bolt 1"-8 x 6" long	1
27	300280	Bolt 1 1/4"-12 x 7" long	1
28	300281	Bolt 1 1/4"-12 x 8" long	2
29	300290	Bolt 1 1/4"-12 x 9" long	1
30	301560	Nylon nut 5/16"-18	13
31	301550	Nylon nut 3/8"-16	2
32	301500	Nylon nut 1"-8	3
33	301530	Nylon nut 1 1/4"-12	6
34	199309	Rotator assembly CR30	1
35	130250	Control valve Q30/8 with shock absorber	1

PARTS LIST - LOADER 170 HDT, PART NO. 60-099			
ITEM	PART NO.	DESCRIPTION	QTY
36	120232	Hydraulic cylinder 2" x 36" stroke	2
37	120233	Hydraulic cylinder 2" x 36" stroke	1
38	120675	Hydraulic cylinder 3 1/2" x 24" stroke	1
39	120835	Hydraulic cylinder 4" x 24" stroke	1
40	121080	Double hydraulic cylinder 3 1/2" x 19 1/2" stroke	1
41	60-003-055	Rotation sleeve	1
42	60-000-150	Sleeve	2
43	60-030-049	Pin	1
44	60-098-010	Pin 1" O.D.	1
45	86-16-108-E08-00	Pin 1" O.D.	2
46	86-16-130-E08-00	Pin 1" O.D.	2

8 Sections Valve Q30 Part List

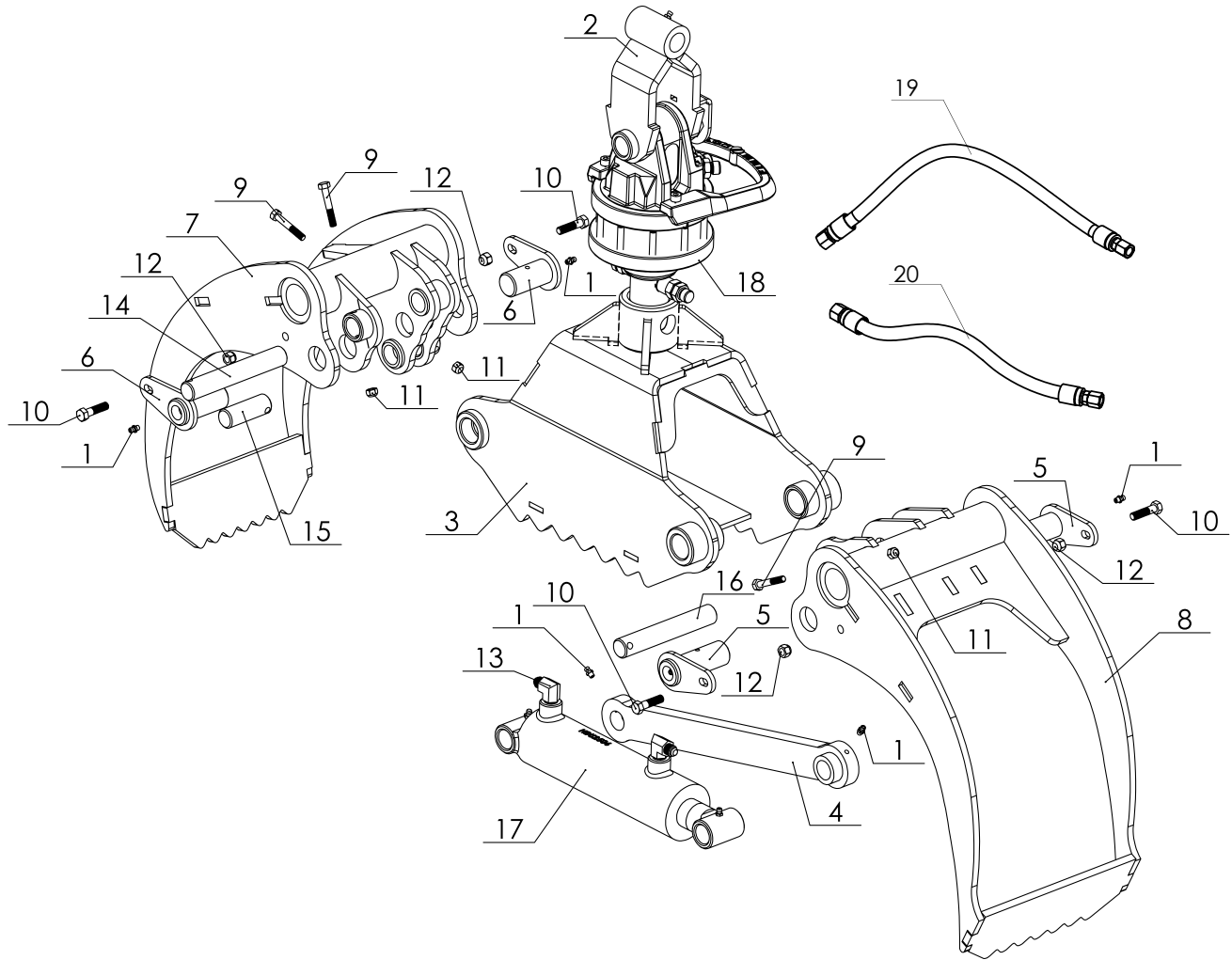


8 Sections Valve Q30 Part List

ITEM	PART NO.	DESCRIPTION	QTY
1	130035	Bras pour joystick Q30 GA avec gros pommeaux	2
2	130317	GA Lever Adapter A15-A35 Q30-25-45	2
3	130030	Big Boots Joystick Q30-Q130 GA	2
4	130015	GA Galtech Lever Box	4
5	130020	GA Lever Box Small Boots	1
6	130300	GA Joystick Plate NEW MODEL	2
7	130040	GA Short arm Q30 160MM for individual section	3
8	130050	GA Long arm Q 30 210MM for individual section	1
9	130131,130132	GA plate A35-34R LEFT new version	1
10	130290, 130291	SPOOL/TIROIR double action open center cylinder threaded on both ends Q25/Q30	5
11	130310	GA PIN FOR NIB WITH BALL JOINT ASSEMBLED FOR NEW MODEL	2
12	130100	GA Head RF6	4
13	130080	GA Pin for sliding Old and New Model	4
14	130060	GA Nylon Nuts M8 for Q30/A15	6
15	130000	GA Snap ring/washer spacer GA 06019 28497 99	4
16	130001	GA drawer seals A-25-30 OR 70 113	4

36" Log Grapple

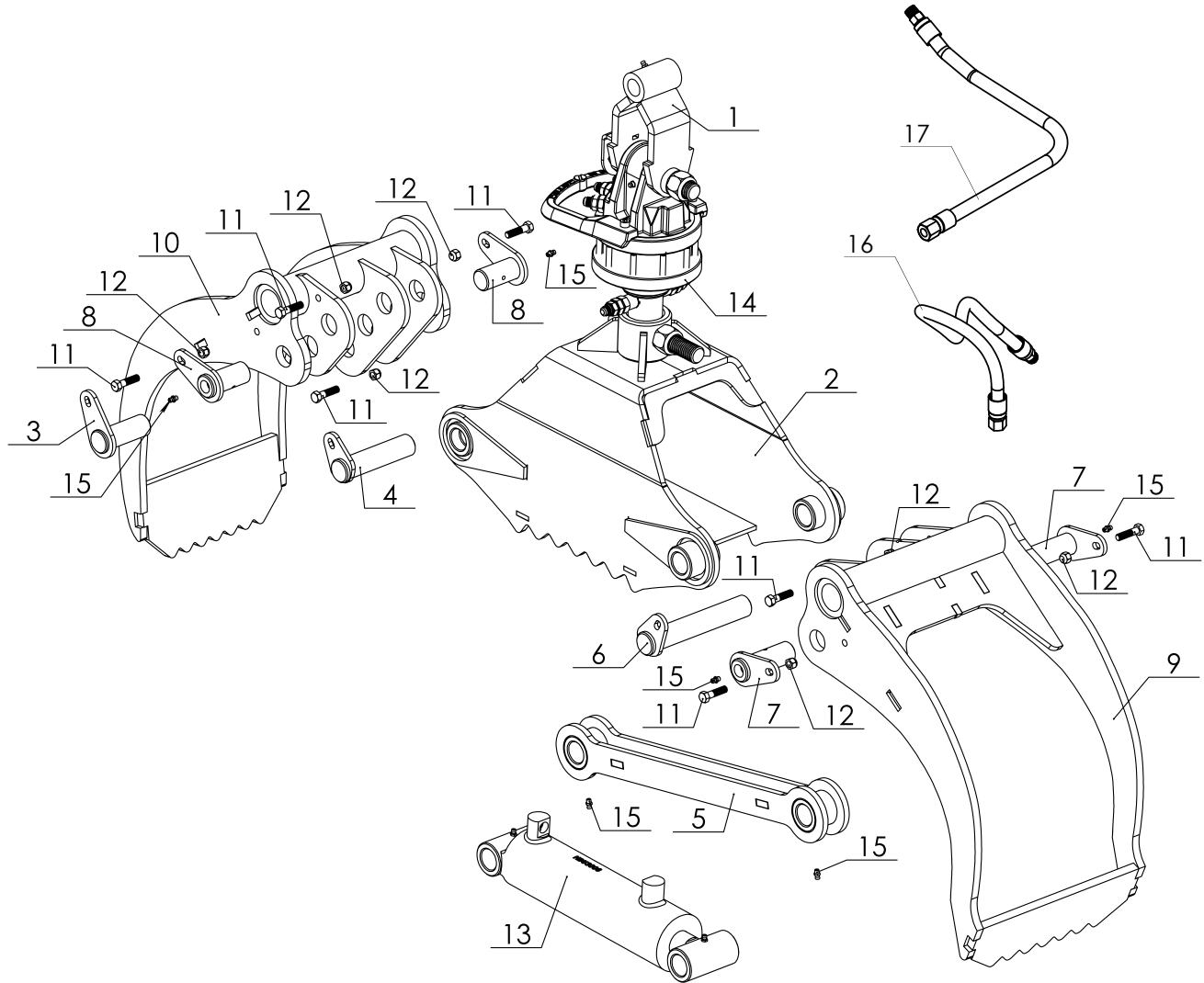
Part no. 57-020



PARTS LIST- 36" LOG GRAPPLE ASSEMBLY, PART NO. 57-020			
ITEM	PART NO.	DESCRIPTION	QTY
1	310020	Grease fitting 1/4"-28	6
2	57-000-04	Grapple yoke	1
3	57-020-01	Grapple head	1
4	57-020-03	Cylinder arm	1
5	57-020-04	Pin	2
6	57-020-05	Pin	2
7	57-020-14	Narrow jaw	1
8	57-020-15	Wide jaw	1
9	300730	Bolt 5/16"-18 x 2" long	3
10	300520	Bolt 3/8"-16 x 1 1/2" long	4
11	301560	Nylon nut 5/16"-18	3
12	301550	Nylon nut 3/8"-16	4
13	100900	Hydraulic fitting, Series 5405 - 90° Elbow - Male JIC 37° - Male NPT - 9/16" x 3/8"	2
14	57-020-017	Pin	1
15	57-020-026	Pin	1
16	57-020-027	Pin	1
17	120270	Hydraulic cylinder 2 1/2" dia. x 6" stroke	1
18	199309	Rotator assembly CR300	1
19	140030-022-101820-102200	Assembly hose 3/8" - 22" Lenght	1
20	140030-018-101820-102200	Assembly hose 3/8" - 18" Lenght	1

42" Log Grapple

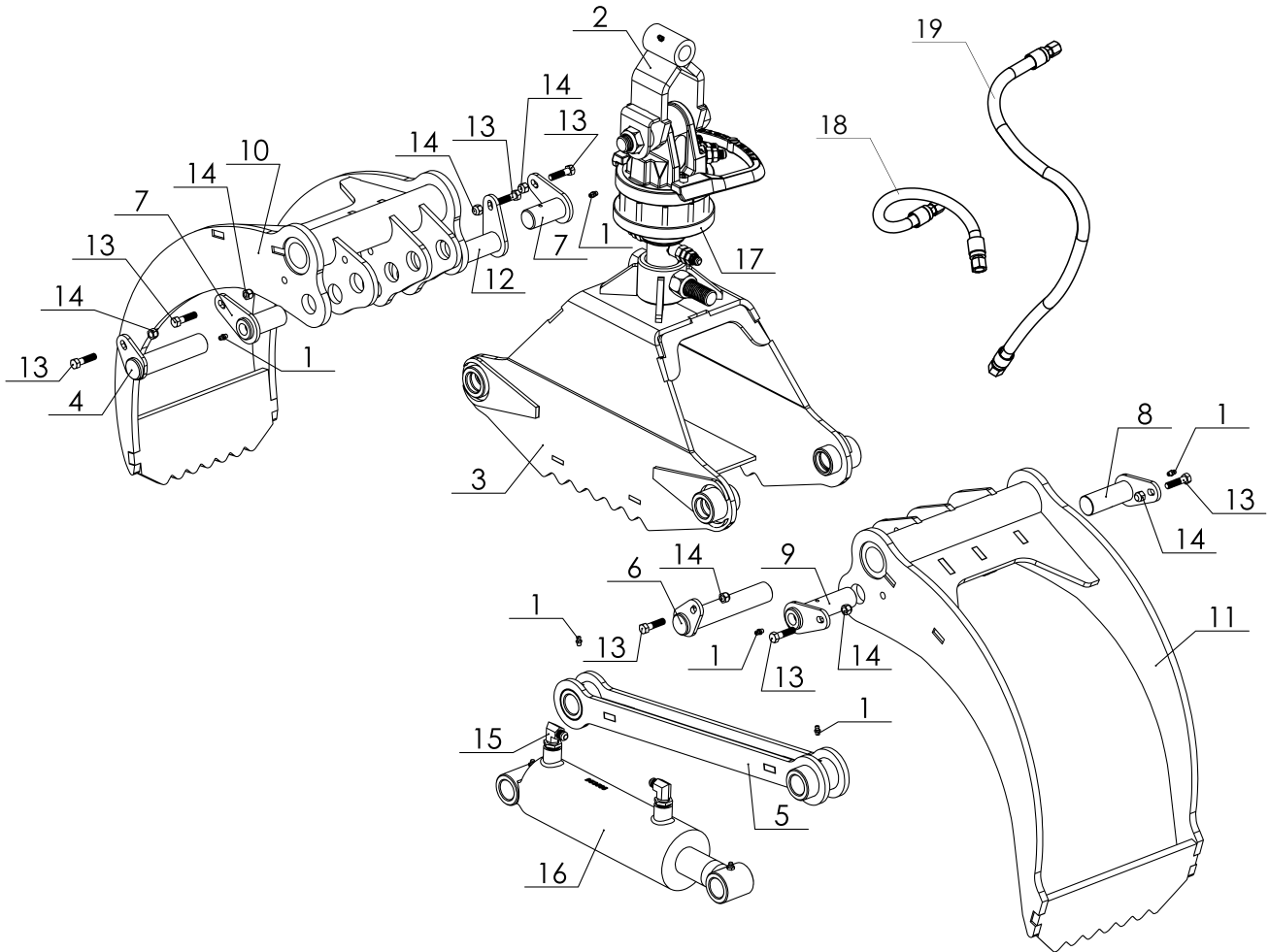
Part no. 57-017



PARTS LIST - 42" LOG GRAPPLE ASSEMBLY, PART NO. 57-017			
ITEM	PART NO.	DESCRIPTION	QTY
1	57-000-04	Grapple yoke	1
2	57-017-01	Grapple head	1
3	57-017-03	Pin	1
4	57-017-04	Pin	1
5	57-017-05	Cylinder arm	1
6	57-017-06	Pin	1
7	57-017-07	Pin	2
8	57-017-09	Pin	2
9	57-017-12	Wide jaw	1
10	57-017-13	Narrow jaw	1
11	300520	Bolt 3/8"-16 x 1 1/2" long	7
12	301550	Nylon nut 3/8"-16	7
13	120443	Hydraulic cylinder 3" dia. x 8" stroke	1
14	199309	Rotator assembly CR30	1
15	310020	Straight grease fitting 1/4"-28	6
16	140030-020-102200-101750	Assembly hose 3/8" - 20" Lenght	1
17	140030-024-101750-102200	Assembly hose 3/8" - 24" Lenght	1

52" Log Grapple

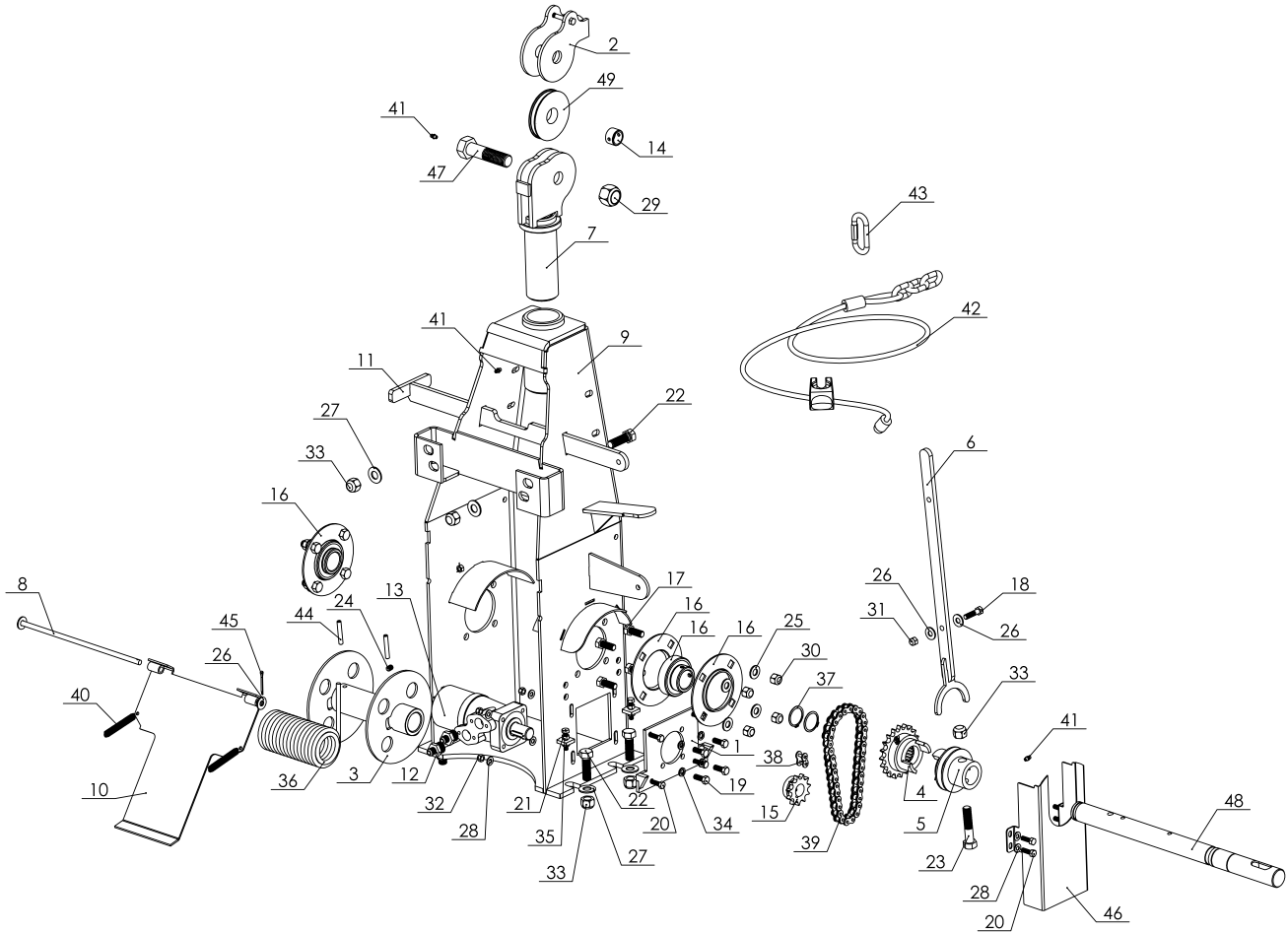
Part no. 57-021



PARTS LIST - 52" LOG GRAPPLE ASSEMBLY, PART NO. 57-021			
ITEM	PART NO.	DESCRIPTION	QTY
1	310020	Grease fitting 1/4"-28	6
2	57-000-04	Grapple yoke	1
3	57-021-01	Grapple head	1
4	57-021-04	Pin	1
5	57-021-05	Cylinder arm	1
6	57-021-06	Pin	1
7	57-021-09	Pin	2
8	57-021-10	Pin	1
9	57-021-11	Pin	1
10	57-021-12	Narrow jaw	1
11	57-021-13	Wide jaw	1
12	57-021-14	Pin	1
13	300520	Bolt 3/8"-16 x 1 1/2" long	7
14	301550	Nylon nut 3/8"-16	7
15	101100	Hydraulic fitting 90° Elbow - Male JIC - Adjustable Male ORB - 9/16" x 3/4"	2
16	120600	Hydraulic cylinder 3 1/2" dia. x 8" stroke	1
17	199309	Rotator assembly CR30	1
18	140030-022-102200-101820	Assembly hose 3/8" - 22" Length	1
19	140030-027-101820-102200	Assembly hose 3/8" - 27" Length	1

6000 lbs Hydraulic Winch assembly

Part no. 58-007

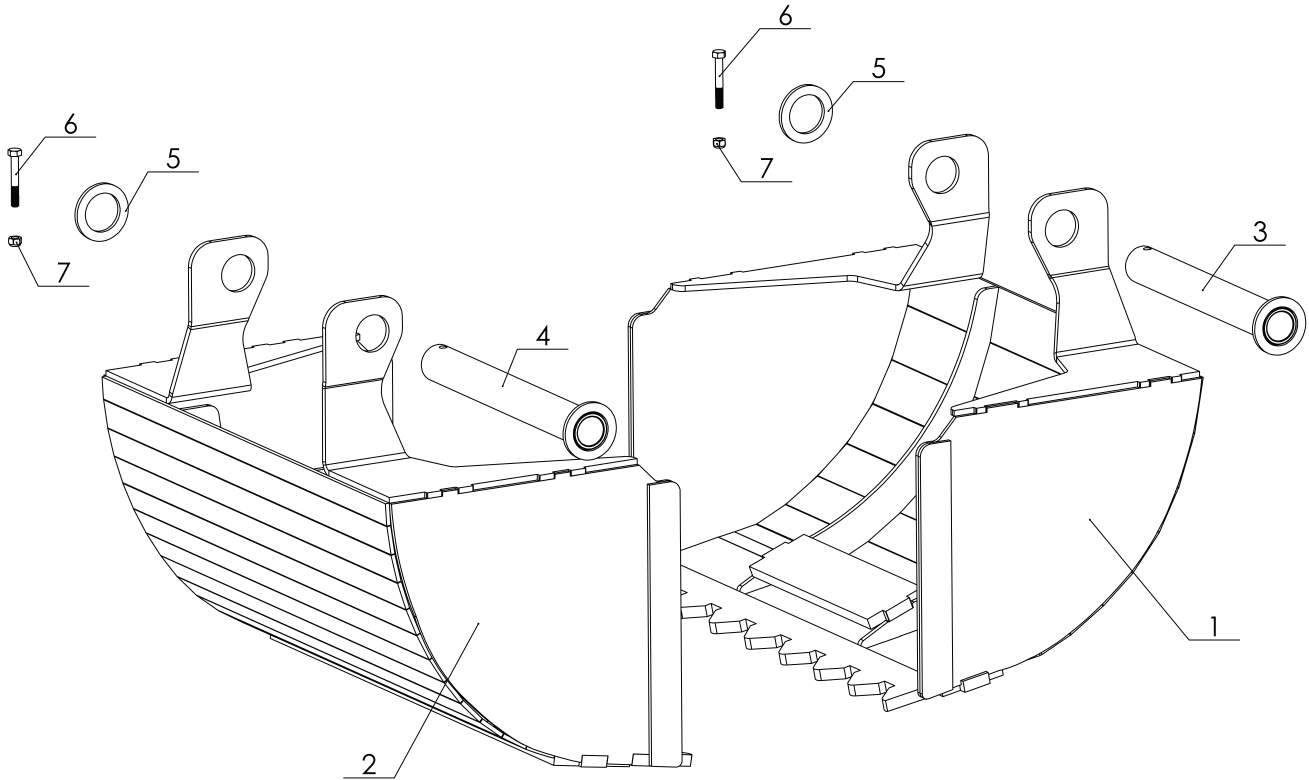


PARTS LIST - 6000 LB HYDRAULIC WINCH ASSEMBLY, PART NO. 58-007

ITEM	PART NO.	DESCRIPTION	QTY
1	58-000-01	Motor assembly support	1
2	58-000-04	Swivel wire guide	1
3	58-000-05	Wire drum	1
4	58-000-06	Jaw and sprocket assembly	1
5	58-000-07	Jaw clutch	1
6	58-000-08	Fork clutch	1
7	58-007-02	Swivel wire guide	1
8	58-007-03	Wire pin tensioner	1
9	58-007-04	Winch casing	1
10	58-007-05	Wire tensioner	1
11	58-013-08	Winch release handle	1

PARTS LIST - 6000 LB HYDRAULIC WINCH ASSEMBLY, PART NO. 58-007			
ITEM	PART NO.	DESCRIPTION	QTY
12	102710	Hydraulic fitting 3/8" - JIC Male x 7/8" - ORB Male	2
13	108070	Hydraulic motor 315cc	1
14	111000	Bushing 1 x .75	1
15	150010	Sprocket	1
16	150151	Flange bearing	2
17	300020	Bolt 1/2"-13 x 1 1/4" long	8
18	300520	Bolt 3/8"-16 x 1 1/2" long	1
19	300560	Bolt 3/8"-16 x 3/4" long	4
20	300700	Bolt 5/16"-18 x 1" long	8
21	300710	Bolt 5/16"-18 x 1 1/2" long	2
22	300820	Bolt 5/8"-11 x 2" long	6
23	300840	Bolt 5/8"-11 x 3" long	1
24	301220	Socket head cap screw 3/8" dia. x 1/2" long	1
25	301310	Flat washer 1/2"	8
26	301350	Flat washer 3/8"	3
27	301360	Flat washer 5/8"	6
28	301390	Flat washer 5/16"	8
29	301500	Nylon nut 1"-8	1
30	301510	Nylon nut 1/2"-13	8
31	301550	Nylon nut 3/8"-16	1
32	301560	Nylon nut 5/16"-18	4
33	301570	Nylon nut 5/8"-11	7
34	301730	Lock nut 3/8"	4
35	301850	Hex nut 5/16"-18	4
36	304010	Cable 5/16" x 110' long	1
37	307036	Snap-ring 1 1/2"	2
38	308910	Chain link	1
39	309080	Chain assembly	1
40	309200	Extension spring	2
41	310020	Grease fitting 1/4"-28	3
42	310720	Log choker	1
43	310725	Quick link	1
44	310880	Spring pin 5/16" O.D. x 2"	2
45	310881	Cotter pin 1/8 x 1- 1/4	1
46	58-007-018	Winch guard	1
47	58-000-006	Bolt	1
48	58-000-020	Shaft	1
49	58-000-024	Cable pulley	1

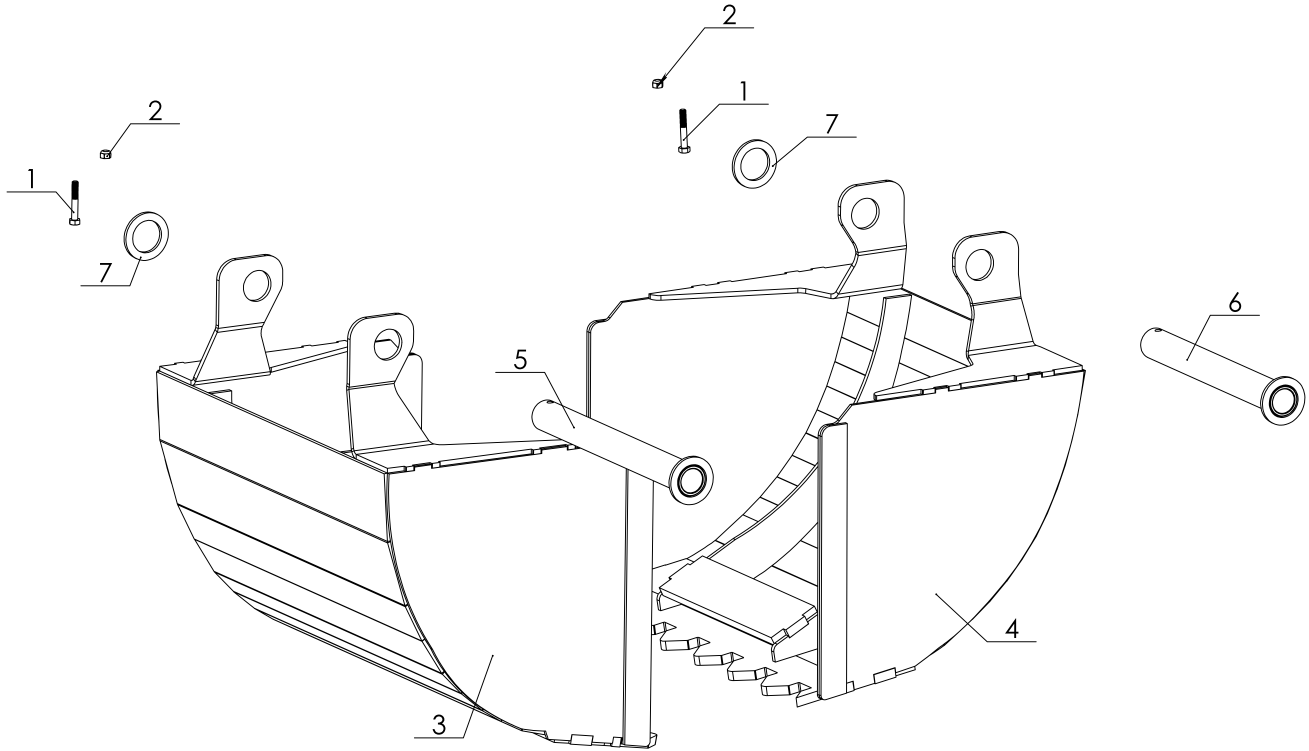
24" Dipper Dredger for 36" Grapple Part no. 57-025



PARTS LIST - 24" DIPPER DREDGER ASSEMBLY FOR 36" GRAPPLE, PART NO.57-025

ITEM	PART NO.	DESCRIPTION	QTY
1	57-025-01	24" Dipper dredger bucket for 36" grapple, narrow jaw	1
2	57-025-02	24" Dipper dredger bucket for 36" grapple, wide jaw	1
3	57-025-03	Lock, narrow jaw	1
4	57-025-04	Lock, wide jaw	1
5	57-025-022	Washer	2
6	301560	Nylon nut 5/16"-18	2
7	300730	Bolt 5/16"-18 x 2" long	2

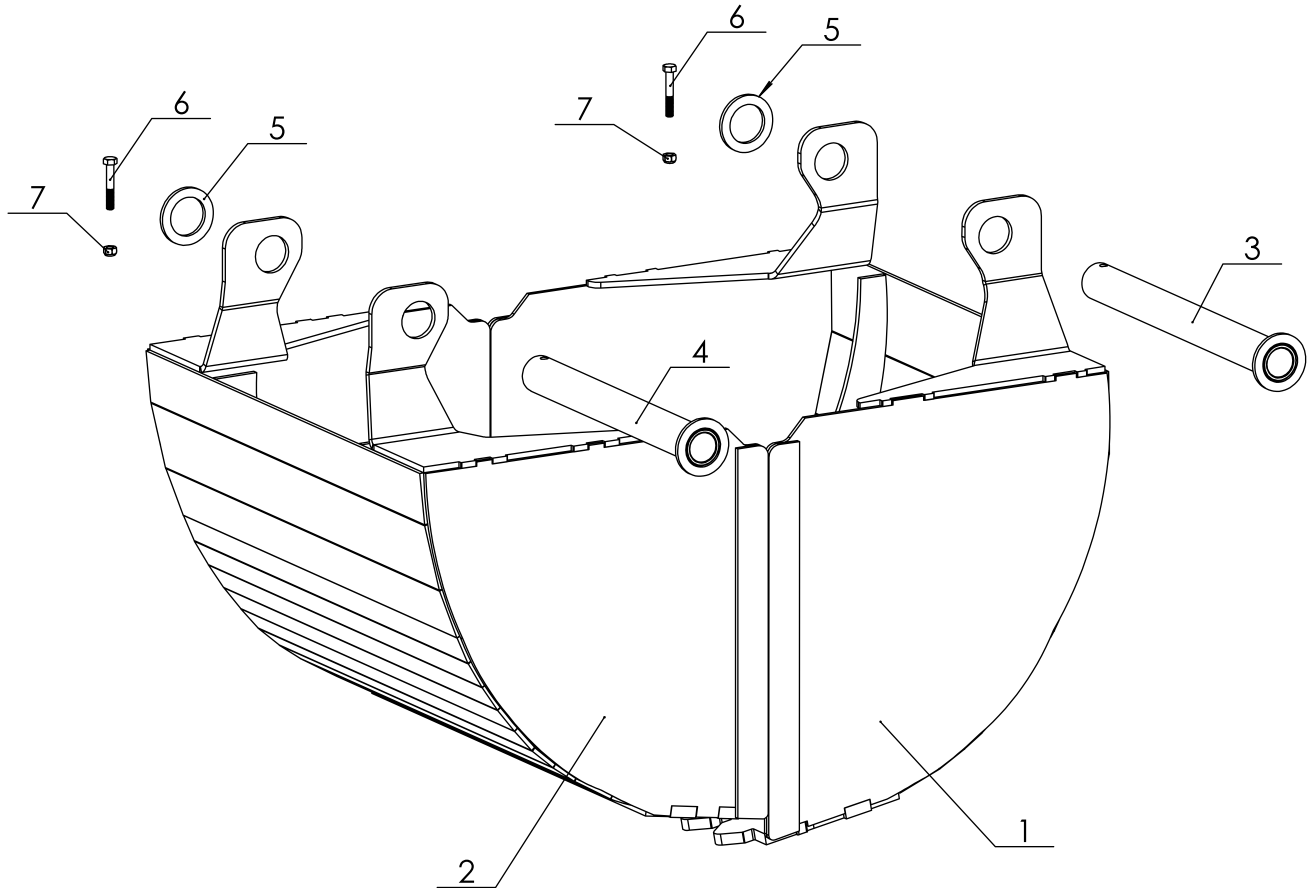
24" Dipper Dredger for 42" Grapple Part no. 57-030



PARTS LIST - 24" DIPPER DREDGER ASSEMBLY FOR 42" GRAPPLE, PART NO. 57-030

ITEM	PART NO.	DESCRIPTION	QTY
1	300730	Bolt 5/16"-18 x 2" long	2
2	301560	Nylon nut 5/16"-18	2
3	57-030-01	24" Dipper dredger bucket for 42" grapple, wide jaw	1
4	57-030-02	24" Dipper dredger bucket for 42" grapple, narrow jaw	1
5	57-030-03	Lock, wide jaw	1
6	57-030-04	Lock, narrow jaw	1
7	57-025-022	Washer	2

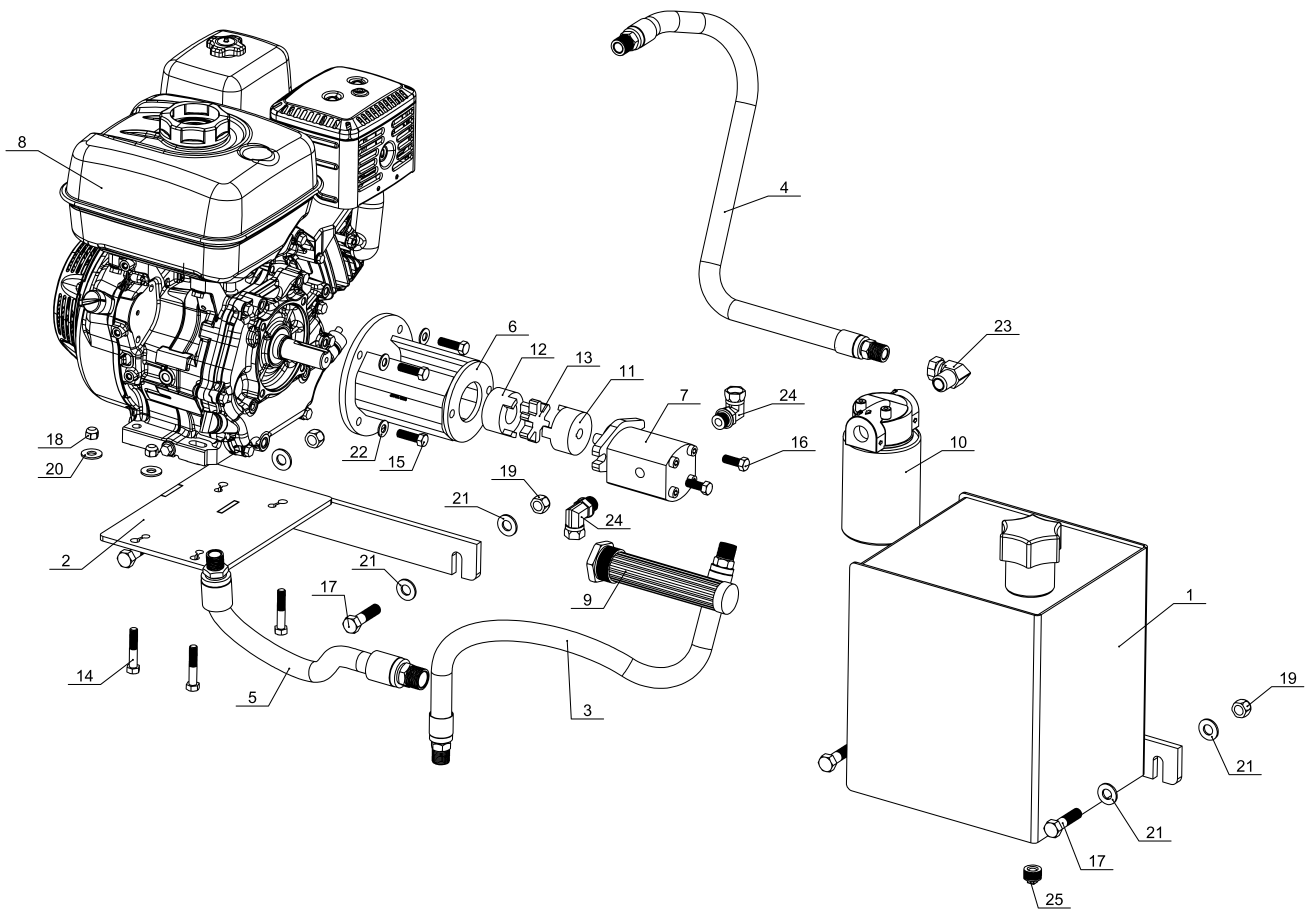
24" Dipper Dredger for 52" Grapple Part no. 57-031



PARTS LIST - 24" DIPPER DREDGER ASSEMBLY FOR 52" GRAPPLE, PART NO. 57-031

ITEM	PART NO.	DESCRIPTION	QTY
1	57-031-01	24" Dipper dredger bucket for 52" grapple, narrow jaw	1
2	57-031-02	24" Dipper dredger bucket for 52" grapple, wide jaw	1
3	57-031-03	Lock, wide jaw	1
4	57-031-04	Lock, narrow jaw	1
5	57-025-022	Washer	2
6	300730	Bolt 5/16"-18 x 2" long	2
7	301560	Nylon nut 5/16"-18	2

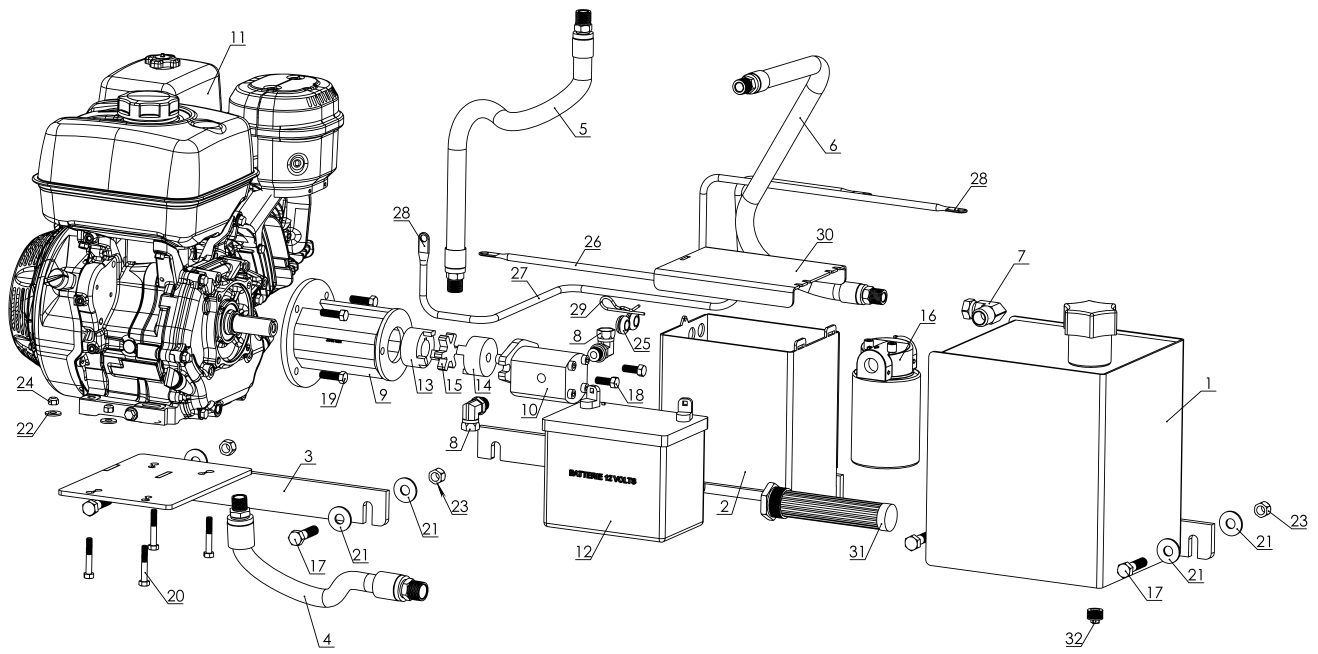
9 HP Power Unit assembly Part no. 53-006



PARTS LIST - 9 HP POWER UNIT ASSEMBLY, PART NO. 53-006			
ITEM	PART NO.	DESCRIPTION	QTY
1	53-003-01	5 gallon Reservoir	1
2	53-003-03	Motor support plate	1
3	140040-020-101700-101700	Hydraulic hose assembly 1/2" x 21"	1
4	140040-030-101700-10700	Hydraulic hose assembly 1/2" x 30"	1
5	140080-018-101730-101731	Hydraulic hose assembly 3/4 suction 17.5" NPT male 1/2, NPT male 3/4	1
6	106010	Bell housing	1
7	108230	1SPA 5.0 Galtech pump	1
8	108020	GX 270 9HP Honda motor	1
9	190020	Strainer	1
10	190060	Oil filter	1
11	140320	Jaw coupling - 1/2"	1
12	140300	Jaw coupling - 1"	1
13	140360	Shock absorber seal	1
14	300530	Bolt 3/8"-16 x 2" long	4
15	300505	Bolt 3/8"-16 x 1 1/4" long	4
16	300500	Bolt 3/8"-16 x 1" long	2
17	300030	Bolt 1/2"-13 x 2" long	4
18	301550	Nylon nut 3/8"-16	4
19	301510	Nylon nut 1/2"-13	4
20	301350	Flat washer 3/8"	4
21	301310	Flat washer 1/2"	8
22	301350	Flat washer 3/8"	4
23	101300	Hydraulic fitting 90° Elbow NPSM Female SWI x NPT Male - 1/2" x 1/2"	1
24	101420	Hydraulic fitting 90° Elbow - Male ORB Adjustable 1/2" - Female NPSM Swivel 3/8"	2
25	102820	Plug 1/2 NPT	1

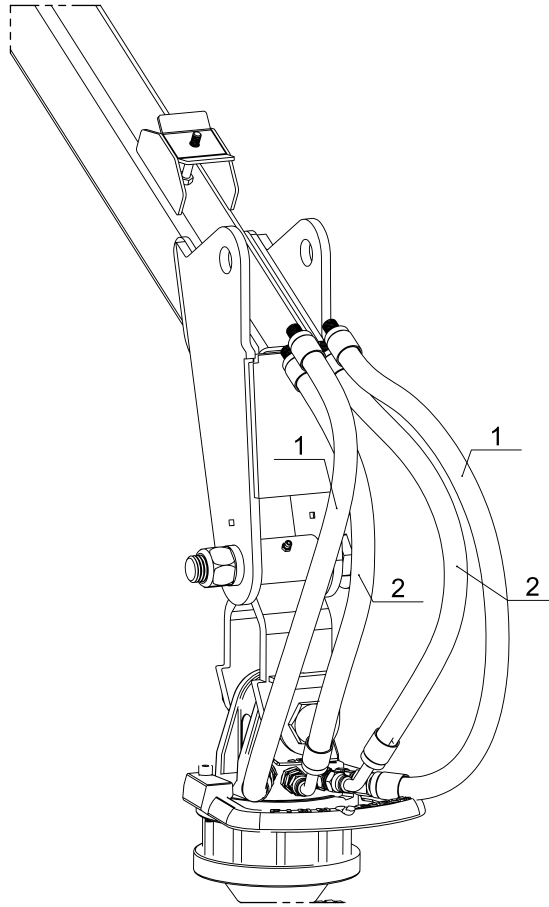
13 HP Power Unit assembly

Part no. 53-003



PARTS LIST - 13 HP POWER UNIT ASSEMBLY, PART NO. 53-003			
ITEM	PART NO.	DESCRIPTION	QTY
1	53-003-01	5 gallon Reservoir	1
2	53-003-02	Battery housing	1
3	53-003-03	Motor support plate	1
4	140080-018-101730-101731	Hydraulic hose assembly 3/4" suction 17.5"	1
5	140040-020-101700-101700	Hydraulic hose assembly 1/2" x 21"	1
6	140040-030-101700-101700	Hydraulic hose assembly 1/2" x 30"	1
7	101310	Hydraulic fitting 90° Elbow NPSM Female SWI x NPT Male - 1/2" x 3/4"	1
8	101420	Hydraulic fitting 90° Elbow - Male Adjustable ORB 1/2" - Female NPSM Swivel 3/8"	2
9	106010	Bell housing	1
10	108240	1SPA 6.3 Pump	1
11	108040	GX 390 13 HP Honda motor	1
12	108320	12-Volt Battery	1
13	140300	Jaw coupling - 1"	1
14	140320	Jaw coupling - 1/2"	1
15	140360	Shock absorber seal	1
16	190060	Oil filter	1
17	300030	Bolt 1/2"-13 x 2" long	4
18	300500	Bolt 3/8"-16 x 1" long	2
19	300505	Bolt 3/8"-16 x 1 1/4" long	4
20	300730	Bolt 5/16"-18 x 2" long	4
21	301310	Flat washer 1/2"	8
22	301390	Flat washer 5/16"	4
23	301510	Nylon nut 1/2"-13	4
24	301560	Nylon nut 5/16"-18	4
25	307081	Rubber washer	2
26	310802	4 gauge electrical wire, black	1
27	310803	4 gauge electrical wire, red	1
28	310804	Copper wire adapter 5/16 hole	4
29	310831	Cotter pin 1/8" x 2 1/4"	1
30	53-001-035	Battery housing cover	1
31	190020	Strainer	1
32	102820	Plug 1/2 NPT	1

Hydraulic hoses Part no. 60-021

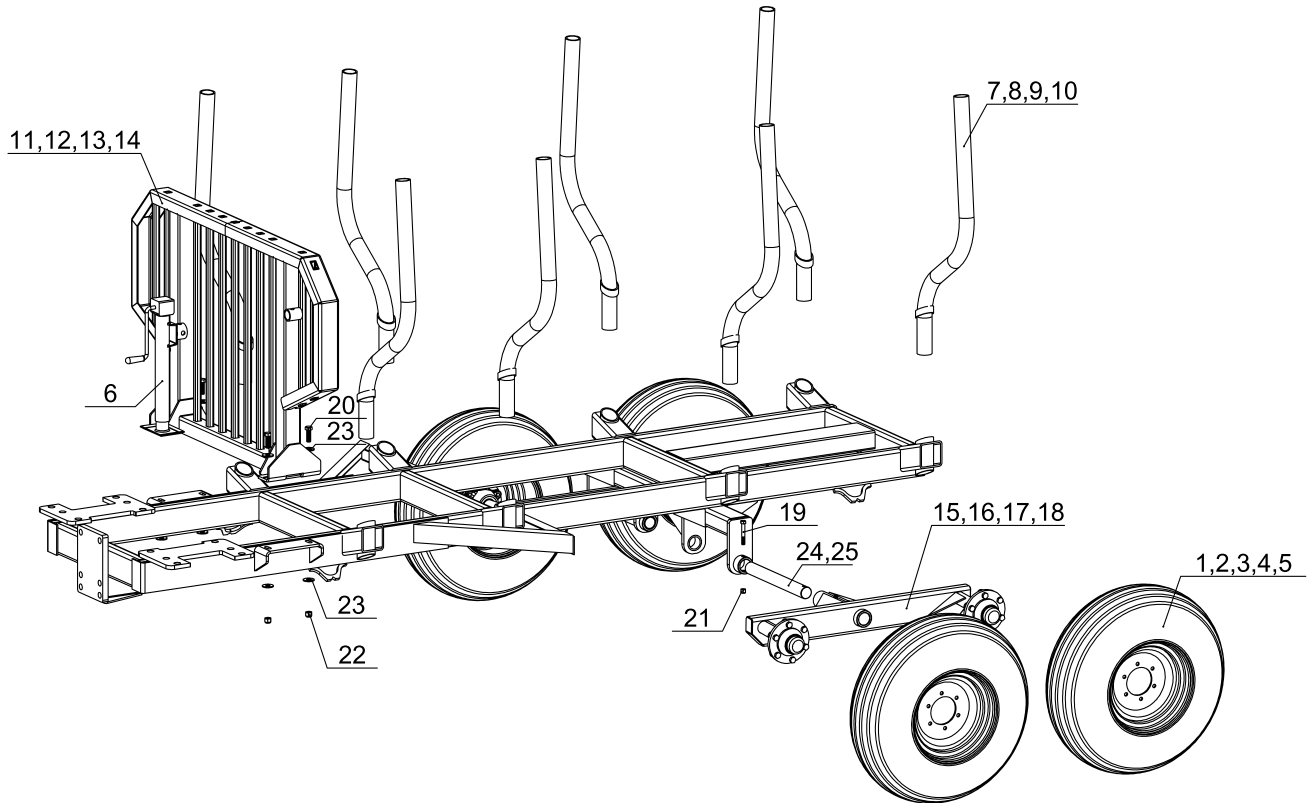


PARTS LIST - HYDRAULIC HOSES, PART NO. 60-021

ITEM	PART NO.	DESCRIPTION	QTY
1	140030-020-102200-102300	Hydraulic hose assembly 3/8" x 20" - M20813-06-06 - M10510-06-06	2
2	140030-020-100300-102300	Hydraulic hose assembly 3/8" x 20" - M20843-06-06 - M10510-06-06	2

Forestry Trailer assembly

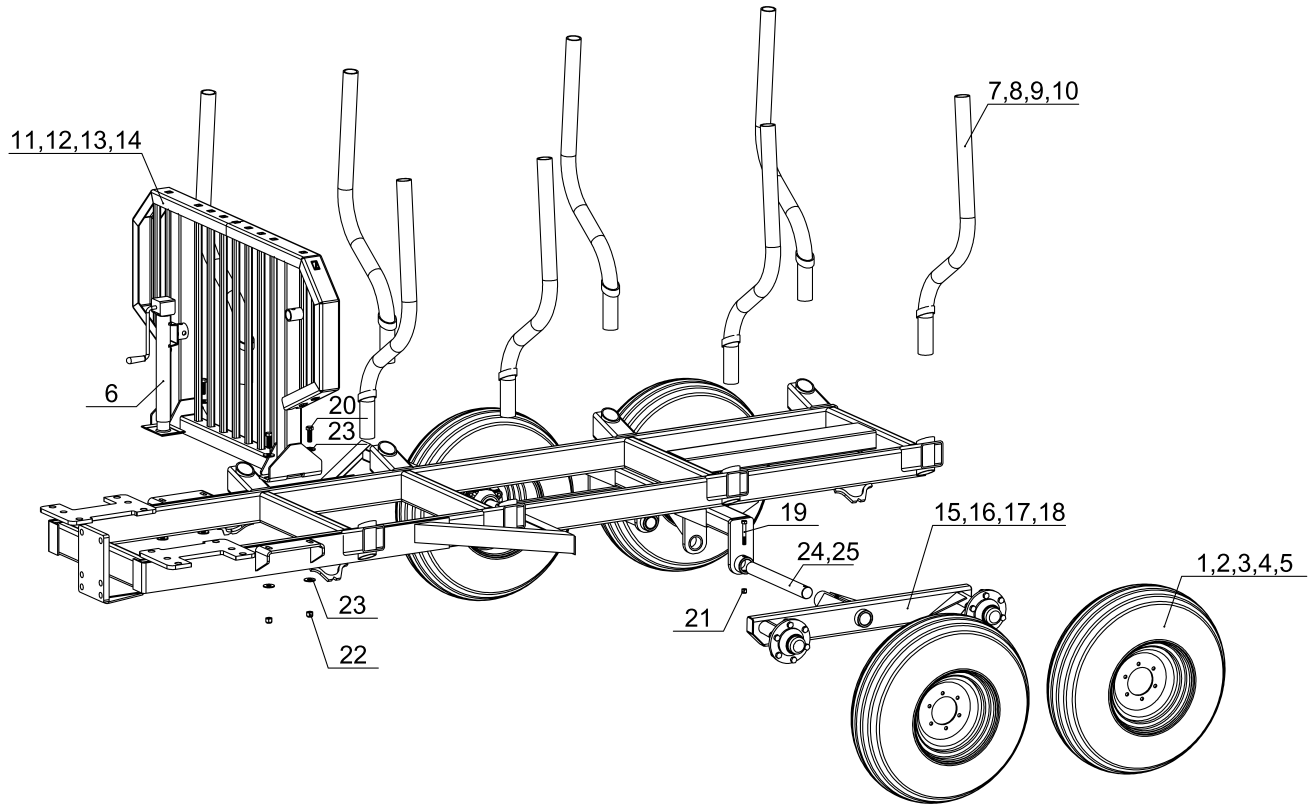
Part no. 30-030, 30-031, 30-035, 30-036, 30-040, 30-041



PARTS LIST- FORESTRY TRAILER								
ITEM	PART NO.	DESCRIPTION	10-66 HV	10-66 HV	10-66 LP HV	10-66 LP HV	10-78 HV	10-78 HV
			P/N: 30-030	P/N: 30-031	P/N: 30-035	P/N: 30-036	P/N: 30-040	P/N: 30-041
			QTY	QTY	QTY	QTY	QTY	QTY
1	302010	Agricultural tire 11L-15, 8 ply, 6 nuts	4	-	4	-	-	-
2	302020	Agricultural tire 12.5L 15, 10 ply, 6 nuts	-	4	-	4	4	-
3	302030	Agricultural tire 12.5L 15, 12 ply, 8 nuts	-	-	-	-	-	-
4	302060	Tire 385-65-22.5, 20 ply, 8 nuts	-	-	-	-	-	-
5	302070	Tire 400-60-15.5, 18 ply, 8 nuts	-	-	-	-	-	4
6	303020	Trailer wind jack, 6000 lbss	1	1	-	-	1	1
7	30-030-02	Post	8	8	-	-	-	-
8	30-035-04	Post	-	-	8	8	-	-
9	30-040-02	Post	-	-	-	-	8	8
10	59-000-07	Post	-	-	-	-	-	-
11	30-030-03	Trailer grill 60 1/8" wide x 37 15/16" high	1	1	-	-	-	-
12	30-035-03	Trailer grill 59 7/8" wide x 26 15/16" high	-	-	1	1	-	-
13	30-040-03	Trailer grill 66 3/8" wide x 37 15/16" high	-	-	-	-	1	1
14	30-050-03	Trailer grill 76 3/8" wide x 39 15/16" high	-	-	-	-	-	-
15	59-024-03	Tandem axle	-	-	-	-	2	-
16	59-026-03	Tandem axle	2	2	2	2	-	-
17	59-081-02	Tandem axle	-	-	-	-	-	-
18	59-082-07	Tandem axle	-	-	-	-	-	2
19	300060	Bolt 1/2"-13 x 3 1/2" long	2	2	2	2	2	2
20	300820	Bolt 5/8"-11 x 2" long	4	4	4	4	4	4
21	301510	Nylon nut 1/2"-13	2	2	2	2	2	2
22	301570	Nylon nut 5/8"-11	4	4	4	4	4	4
23	301360	Flat washer 5/8"	8	8	8	8	8	8
24	201050	Shaft 1 15/16" O.D.	2	2	2	2	2	2

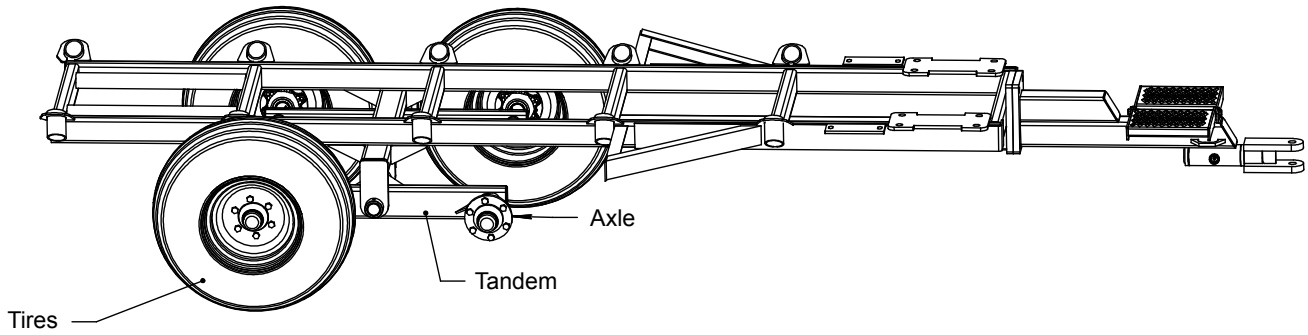
Forestry Trailer assembly

Part no. 30-050, 30-051, 30-052, 30-060, 30-061



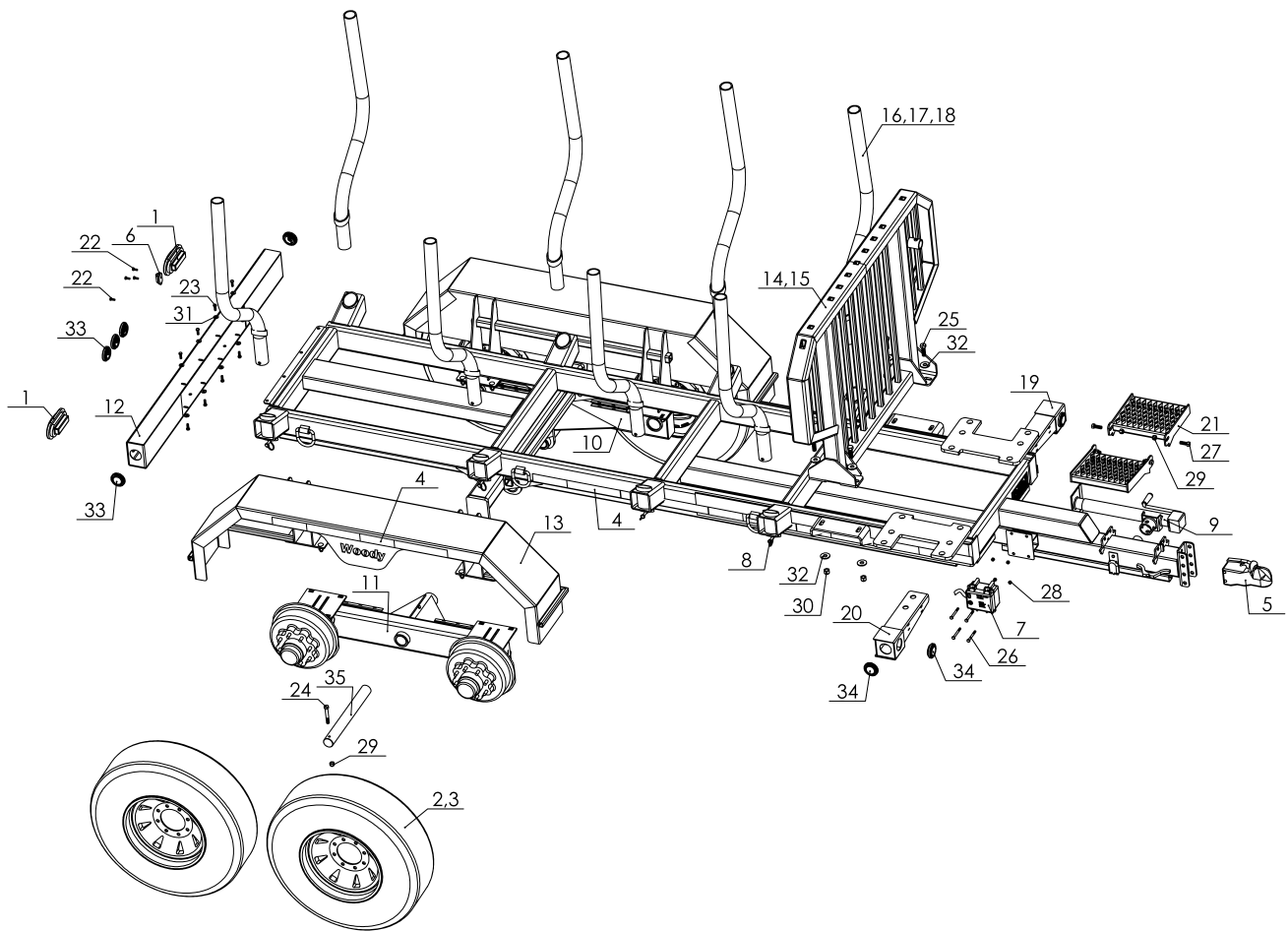
PARTS LIST - FORESTRY TRAILER							
ITEM	PART NO.	DESCRIPTION	12-86 HV	12-86 HV	12-86 HV	16-86 HV	16-86 HV
			P/N: 30-050	P/N: 30-051	P/N: 30-052	P/N: 30-060	P/N: 30-061
			QTY	QTY	QTY	QTY	QTY
1	302010	Agricultural tire 11L-15, 8 ply, 6 nuts	-	-	-	-	-
2	302020	Agricultural tire 12.5L 15, 10 ply, 6 nuts	-	-	-	-	-
3	302030	Agricultural tire 12.5L 15, 12 ply, 8 nuts	4	-	-	-	-
4	302060	Tire 385-65-22.5, 20 ply, 8 nuts	-	-	4	4	-
5	302070	Tire 400-60-15.5, 18 ply, 8 nuts	-	4	-	-	4
6	303020	Trailer wind jack, 6000 lbss	1	1	1	1	1
7	30-030-02	Post	-	-	-	-	-
8	30-035-04	Post	-	-	-	-	-
9	30-040-02	Post	-	-	-	-	-
10	59-000-07	Post	8	8	8	8	8
11	30-030-03	Trailer grill 60 1/8" wide x 37 15/16" high	-	-	-	-	-
12	30-035-03	Trailer grill 59 7/8" wide x 26 15/16" high	-	-	-	-	-
13	30-040-03	Trailer grill 66 3/8" wide x 37 15/16" high	-	-	-	-	-
14	30-050-03	Trailer grill 76 3/8" wide x 39 15/16" high	1	1	1	1	1
15	59-024-03	Tandem axle	-	-	-	-	-
16	59-026-03	Tandem axle	-	-	-	-	-
17	59-081-02	Tandem axle	-	-	2	2	-
18	59-082-07	Tandem axle	2	2	-	-	2
19	300060	Bolt 1/2"-13 x 3 1/2" long	2	2	2	2	2
20	300820	Bolt 5/8"-11 x 2" long	4	4	4	4	4
21	301510	Nylon nut 1/2"-13	2	2	2	2	2
22	301570	Nylon nut 5/8"-11	4	4	4	4	4
23	301360	Flat washer 5/8"	8	8	8	8	8
24	201050	Shaft 1 15/16" O.D.	2	2	2	2	2

Forestry Trailer (Older models)



PARTS LIST - FORESTRY TRAILERS (OLDER MODELS)				
TRAILER MODEL	PART NO.	TANDEM ASSEMBLY	AXLE	TIRES
11-74	59-013	59-024-03	5000 lbss	12.5L15
11-74	59-150	59-081-02	8000 lbss	385-65-22.5
11-74	59-151	59-082-07	8000 lbss	400-60-15.5
13-78	59-014	59-024-03	5000 lbs	12.5L15
13-78	59-125	59-082-07	8000 lbs	12.5L15
13-78	59-161	59-082-07	8000 lbs	400-60-15.5
13-78	59-081	59-081-02	8000 lbs	16.5L16.1
13-78	59-162	59-081-02	8000 lbs	385-65-22.5
14-80	59-015	59-082-07	8000 lbs	12.5L15
14-80	59-163	59-082-07	8000 lbs	400-60-15.5
14-80	59-079	59-081-02	8000 lbs	16.5L6.1
14-80	59-164	59-081-02	8000 lbs	385-65-22.5

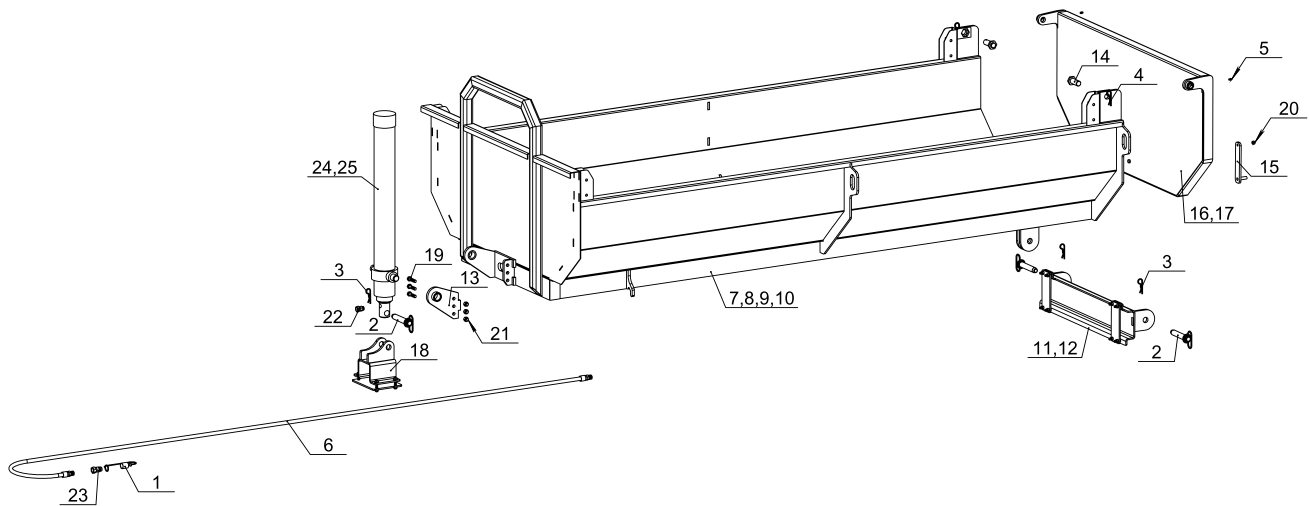
Road Trailer assembly Part no. 32-001, 32-002, 32-003



PARTS LIST - ROAD TRAILER ASSEMBLY					
ITEM	PART NO.	DESCRIPTION	Road trailer 10-66	Road trailer 10-78	Road trailer 12-78
			P/N: 32-001	P/N: 32-002	P/N: 32-003
			QTY	QTY	QTY
1	310520	Directional lights	2	2	2
2	302510	Tire ST235-80-R16 10 Ply	4	-	-
3	302511	Tire ST235-80-R16 14 ply	-	4	4
4	400255	Reflector sticker	14	14	14
5	310664	Trailer hitch 2 5/16	1	1	1
6	310540	LED license plate light 2 diodes 12V	1	1	1
7	305495	Electric emergency brake system	1	1	1
8	306020	Lock pin 3/8 x 1 1/2	8	8	8
9	303020	Trailer wind jack, 6000 lbs	1	1	1
10	32-003-04	Tandem axle	1	1	1
11	32-003-03	Tandem axle	1	1	1
12	32-001-06	Rear bumper	1	1	1
13	32-000-03	Trailer fender	2	2	2
14	30-030-03	Trailer grill, 60 1/8" wide x 37 15/16" high	1	-	-
15	30-040-03	Trailer grill, 66 3/8" wide x 37 15/16" high	-	1	1
16	30-030-02	Post	8	-	-
17	30-040-02	Post	-	8	-
18	30-040-02	Post	-	-	8
19	32-001-07	Front light support	1	1	1
20	32-001-08	Front light support	1	1	1
21	59-076-36	Deck span step 9.5	2	2	2
22	300203	Bolt 1/4"-20 x 3/4" long	5	5	5
23	300700	Bolt 5/16"-18 x 1" long	8	8	8
24	300060	Bolt 1/2"-13 x 3 1/2" long	2	2	2
25	300820	Bolt 5/8"-11 x 2" long	4	4	4
26	300750	Bolt 5/16"-18 x 3" long	4	4	4
27	300010	Bolt 1/2"-13 x 1 1/2" long	4	4	4
28	301560	Nylon nut 5/16"-18	4	4	4
29	301510	Nylon nut 1/2"-13	6	6	6
30	301570	Nylon nut 5/8"-11	4	4	4
31	301390	Flat washer 5/16"	8	8	8
32	301360	Flat washer 5/8"	8	8	8
33	310520	2" Position lights, red	5	5	5
34	310530	2" Position lights, yellow	4	4	4
35	201050	Shaft 1 15/16" O.D.	2	2	2

Gravel Bin assembly

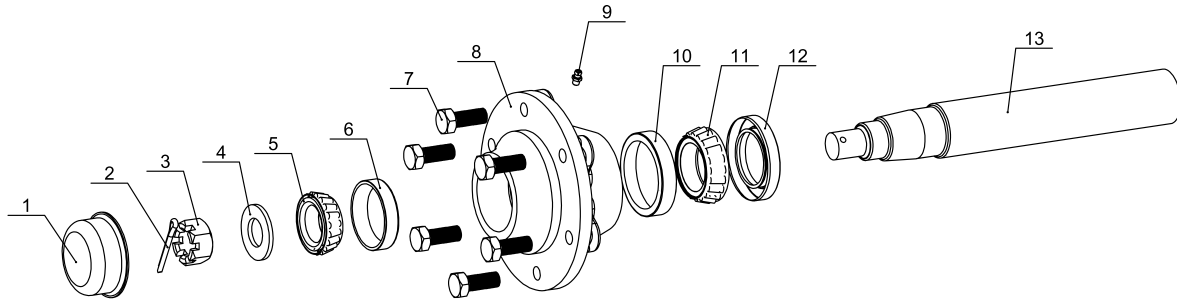
Part no. 31-030, 31-040, 31-050, 31-060



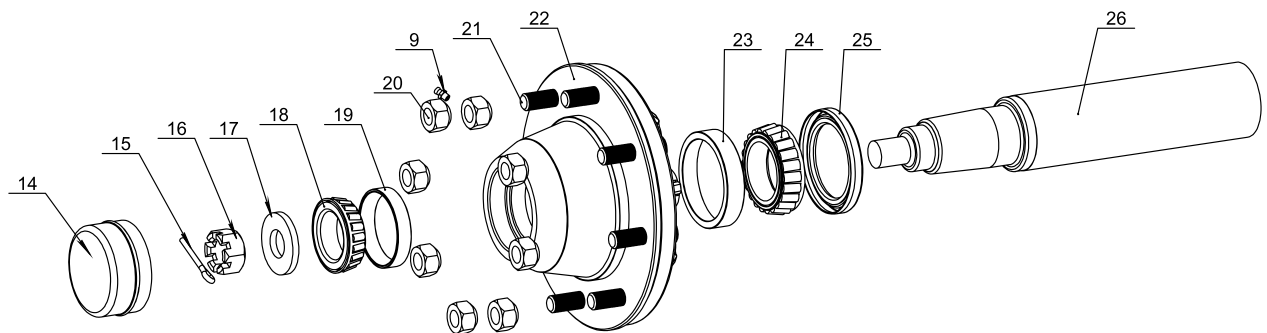
PARTS LIST - GRAVEL BIN ASSEMBLY						
ITEM	PART NO.	DESCRIPTION	10' BIN FOR 10-78 HV TRAILER P/N: 31-030 QTY	10' BIN WITH CYLINDER FOR 10-78 HV TRAILER P/N: 31-040 QTY	12' BIN FOR 12-86 HV TRAILER P/N: 31-050 QTY	12' BIN WITH CYLINDER FOR 12-86 HV TRAILER P/N: 31-060 QTY
1	140000	Dust caps 1/2", red	-	1	-	1
2	310830	Quick release pin 1" x 4 3/4" long	2	3	2	3
3	310833	Cotter Pin 5/32 x 2 3/4" long	2	3	2	3
4	310832	Cotter Pin 3"	2	2	2	2
5	310020	Grease fitting 1/4"-28	2	4	2	4
6	140030-144- 101740-101740	Hose assembly 3/8" - 144" long	-	1	-	1
7	31-030-01	Gravel bin for 10-78 HV trailer	1	-	-	-
8	31-040-01	Gravel bin with cylinder for 10-78 HV trailer	-	1	-	-
9	31-050-01	Gravel bin for 12-86 HV trailer	-	-	1	-
10	31-060-01	Gravel bin with cylinder for 12-86 HV trailer	-	-	-	1
11	31-000-02	Rear hinge 12-86 HV	-	-	1	1
12	31-000-03	Rear hinge 10-78 HV	1	1	-	-
13	49-001-03	Removable cylinder mounting plate	-	1	-	1
14	59-035-08	Pin	2	2	2	2
15	59-064-03	Handle	1	1	1	1
16	59-064-06	Rear panel 30"	1	1	-	-
17	59-068-04	Rear panel 36"	-	-	1	1
18	59-000-38	Cylinder mount ear assembly	-	1	-	1
19	300030	Bolt 1/2"-13 x 2" long	-	3	-	3
20	301550	Nylon nut 3/8"-16	1	1	1	1
21	301510	Nylon nut 1/2"-13	-	3	-	3
22	103500	Hydraulic fitting 9315 Male ORB - Female NPT Swivel Plug	-	1	-	1
23	109010	Quick Coupling Male x Female 1/2"-NPT	-	1	-	1
24	121110	Telescopic cylinder 90" stroke	-	1	-	-
25	121120	Telescopic cylinder, 108" stroke	-	-	-	1

Wheel Hub and Spindle Kit Part no. 306200, 306300

5000 LBS



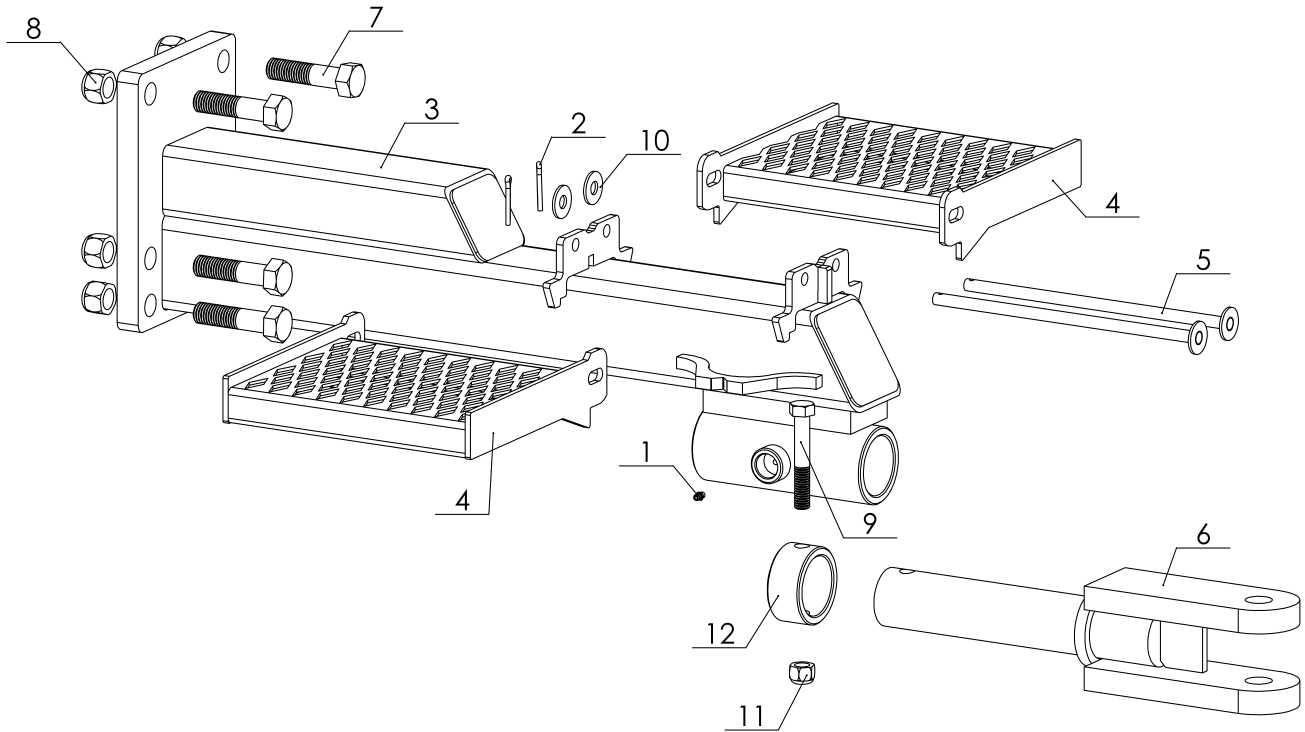
8000 LBS



PARTS LIST - WHEEL HUB AND SPINDLE KIT				
ITEM	PART NO.	DESCRIPTION	Hub & Spindle 5000 lbss P/N: 306200	Hub & Spindle 8000 lbss P/N: 306300
1	306208	Cap	1	-
2	306210	Cotter pin 3/16 dia. X 1 1/2" lg.	1	-
3	306209	Castle nut	1	-
4	306214	Washer	1	-
5	306204	Exterior bearing, tapered	1	-
6	306206	Exterior bearing, cone	1	-
7	306211	Bolt 9/16-18	6	-
8	306201	Hub	1	-
9	310020	Grease fitting 1/4"-28	1	1
10	306205	Interior bearing, cone	1	-
11	306203	Interior bearing, tapered	1	-
12	306207	Seal	1	-
13	306202	Spindle	1	-
14	306308	Cap	-	1
15	306310	Cotter pin	-	1
16	306309	Castle nut	-	1
17	306314	Spacer	-	1
18	306303	Exterior bearing, tapered	-	1
19	306306	Exterior bearing, cone	-	1
20	306312	Bolt	-	8
21	306311	Dowel	-	8
22	306301	Hub	-	1
23	306305	Interior bearing, cone	-	1
24	306304	Interior bearing, tapered	-	1
25	306307	Seal	-	1
26	306302	Spindle	-	1

Single drawbar assembly

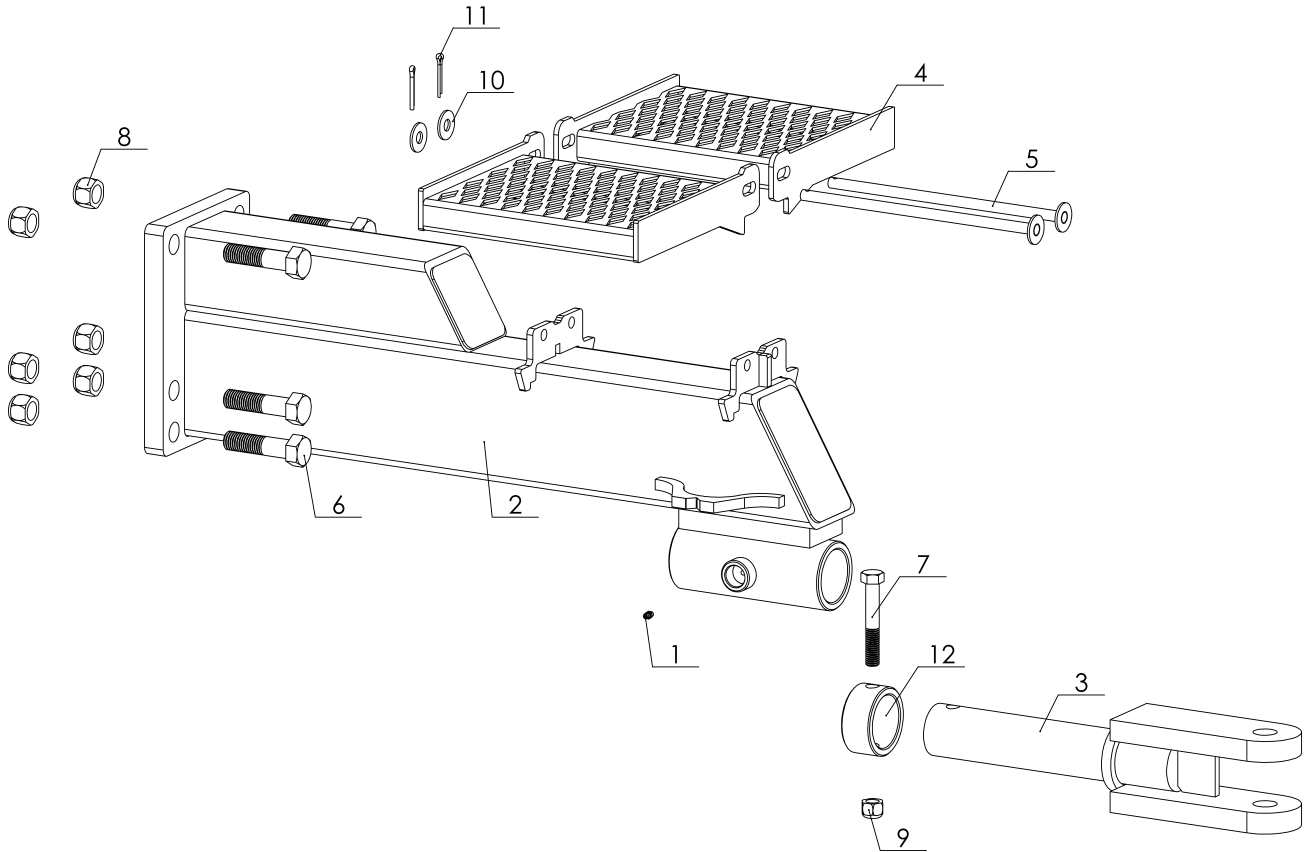
Part no. 59-076-01



PARTS LIST - SINGLE DRAWBAR, PART NO. 59-076-01

ITEM	PART NO.	DESCRIPTION	QTY
1	310020	Straight grease fitting 1/4"-28	1
2	310881	Cotter pin 1/8 x 1- 1/4	2
3	59-076-30	Frame	1
4	59-076-36	Foot rest, deck span 9.5	2
5	59-076-74	Pin	2
6	59-003-08	Hitch	1
7	301020	Bolt 7/8"-9 x 3 1/2" long	6
8	301590	Nylon nut 7/8"-9	6
9	300860	Bolt 5/8"-11 x 4" long	1
10	301310	Flat washer 1/2"	2
11	301570	Nylon nut 5/8"-11	1
12	59-114-123	Sleeve 3 1/4" O.D. x .375" (2.500" I.D.)	1

Single drawbar assembly Part no. 59-076-07

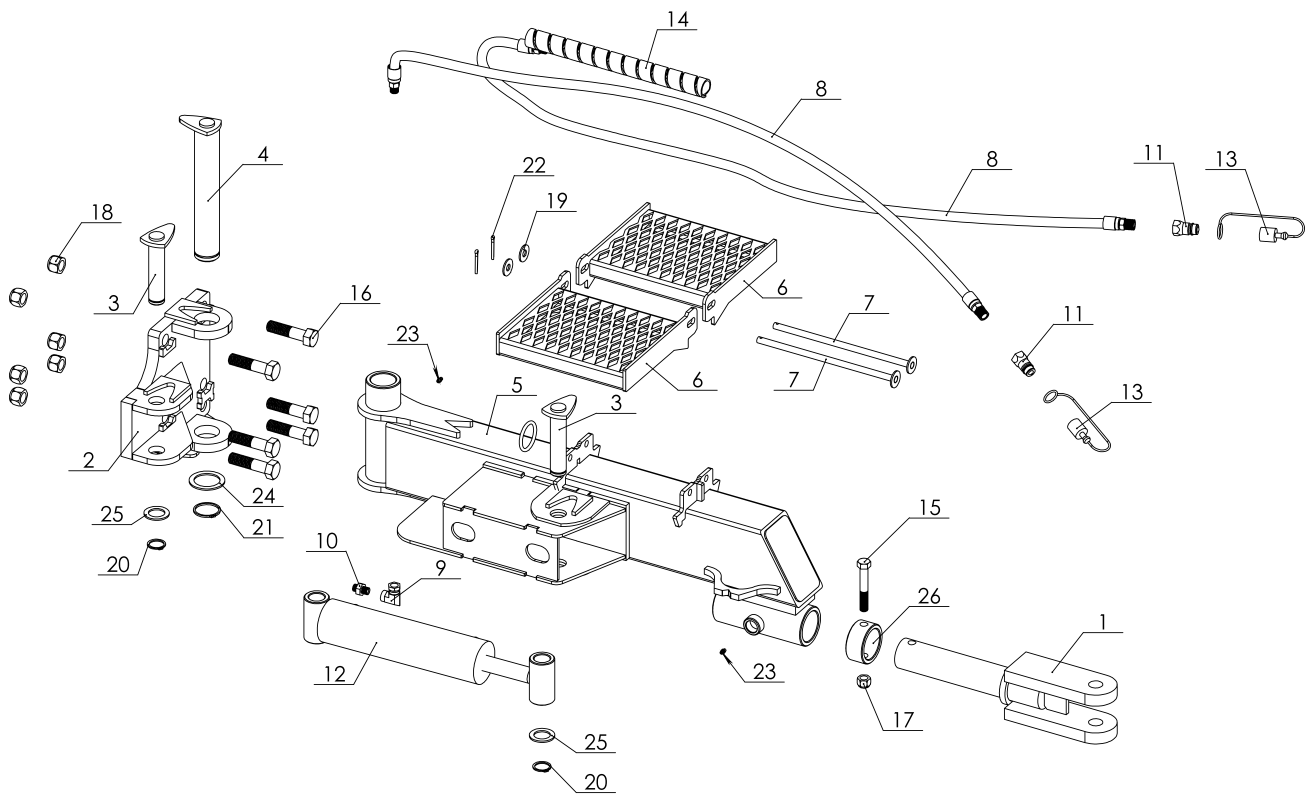


PARTS LIST - SINGLE DRAWBAR, PART NO. 59-076-07

ITEM	PART NO.	DESCRIPTION	QTY
1	310020	Straight grease fitting 1/4"-28	1
2	59-076-29	Frame	1
3	59-003-08	Hitch	1
4	59-076-36	Foot rest, deck span 9.5	2
5	59-076-74	Pin	2
6	301020	Bolt 7/8"-9 x 3 1/2" long	6
7	300860	Bolt 5/8"-11 x 4" long	1
8	301590	Nylon nut 7/8"-9	6
9	301570	Nylon nut 5/8"-11	1
10	301310	Flat washer 1/2"	2
11	310881	Cotter pin 1/8 x 1- 1/4	2
12	59-114-123	Sleeve 3 1/4" O.D. x .375" (2.500" I.D.)	1

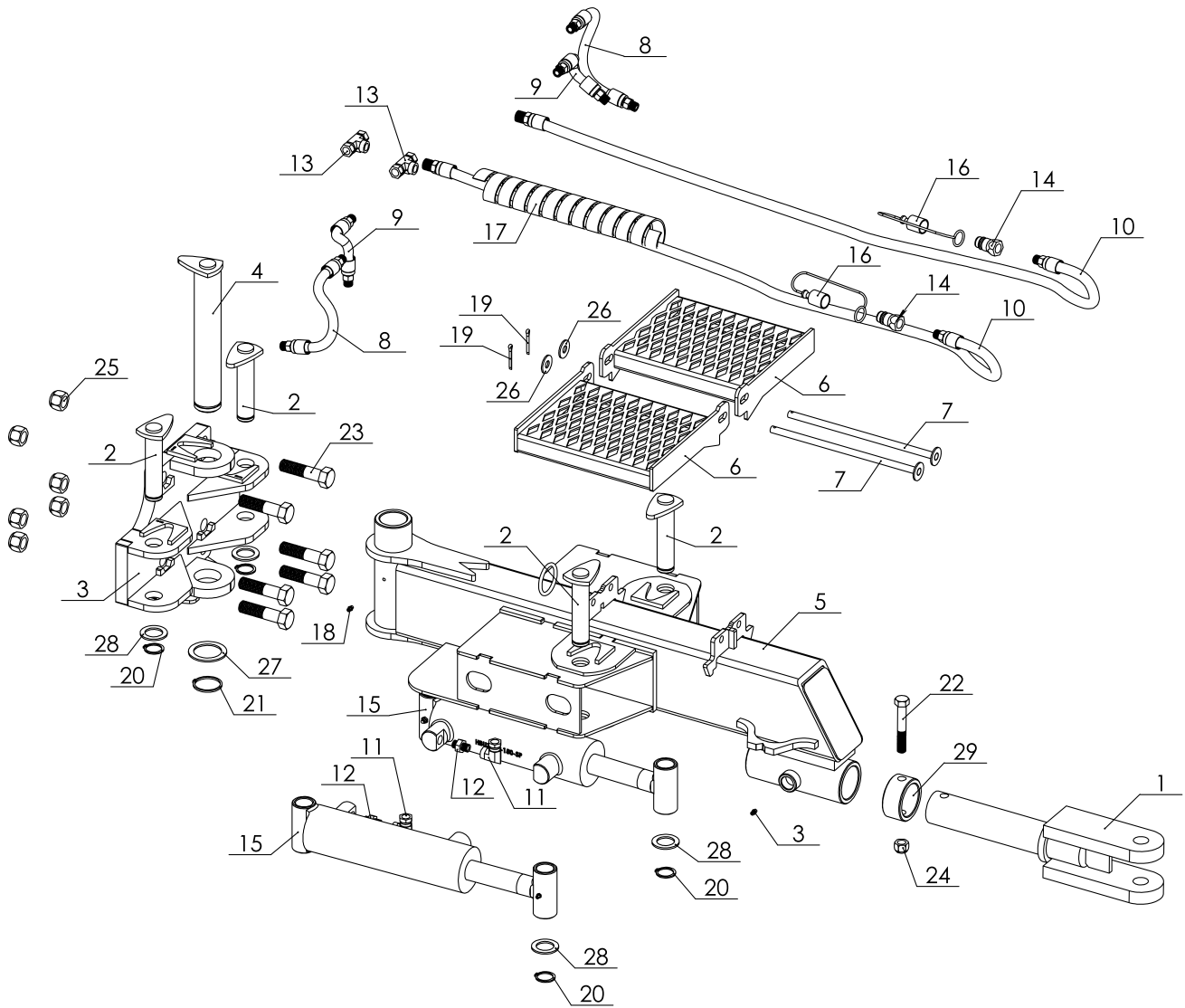
Single cylinder directional drawbar assembly

Part no. 59-076-03



PARTS LIST - SINGLE CYLINDER DIRECTIONAL DRAWBAR, PART NO. 59-076-03			
ITEM	PART NO.	DESCRIPTION	QTY
1	59-003-08	Hitch	1
2	59-076-02	Single cylinder directional bracket	1
3	59-076-04	Cylinder lock	2
4	59-076-08	Pin	1
5	59-076-24	Frame	1
6	59-076-36	Foot rest, deck span 9.5	2
7	59-076-74	Pin	2
8	140030-096-101740-101750	Hydraulic hose assembly	2
9	101200	90° Elbow NPSM Female SWI x NPT Male - 3/8" x 3/8"	1
10	103420	3/8" Male - NPT x 3/8" Male - NPT	1
11	109010	Quick coupling Male x Female 1/2"-NPT	2
12	120443	Hydraulic cylinder 3" dia. x 8" stroke	1
13	140000	Dust cap 1/2"	2
14	170010	Spiral guard	1
15	300860	Bolt 5/8"-11 x 4" long	1
16	301020	Bolt 7/8"-9 x 3 1/2" long	6
17	301570	Nylon nut 5/8"-11	1
18	301590	Nylon nut 7/8"-9	6
19	301310	Flat washer 1/2"	2
20	307063	Snap-ring 1 1/4"	2
21	307075	Snap-ring 2"	1
22	310881	Cotter pin 1/8 x 1- 1/4	2
23	310020	Straight grease fitting 1/4"-28	2
24	59-076-034	Washer	1
25	59-076-035	Washer	2
26	59-114-123	Sleeve 3 1/4" O.D. x .375" (2.500" I.D.)	1

Double cylinder directional drawbar assembly Part no. 59-076-05



PARTS LIST - DOUBLE CYLINDER DIRECTIONAL DRAWBAR, PART NO. 59-076-05			
ITEM	PART NO.	DESCRIPTION	QTY
1	59-003-08	Hitch	1
2	59-076-04	Cylinder lock	4
3	59-076-06	Double cylinder directional bracket	1
4	59-076-08	Pin	1
5	59-076-23	Frame	1
6	59-076-36	Foot rest, deck span 9.5	2
7	59-076-74	Pin	2
8	140030-011-101750-101750	Hydraulic hose assembly	2
9	140030-006-101750-101750	Hydraulic hose assembly	2
10	140030-096-101740-101750	Hydraulic hose assembly	2
11	101200	Hydraulic fitting 90° Elbow NPSM Female SWI x NPT Male - 3/8" x 3/8"	2
12	103420	Hydraulic fitting 3/8" Male - NPT x 3/8" Male - NPT	2
13	103700	Hydraulic fitting Female NPSM Swivel Tee - Female NPSM Swivel - Female NPT	2
14	109010	Quick coupling Male x Female 1/2"-NPT	2
15	120443	Hydraulic cylinder 3" dia. x 8" stroke	2
16	140000	Dust cap 1/2"	2
17	170010	Spiral guard	1
18	310020	Straight grease fitting 1/4"-28	1
19	310881	Cotter pin 1/8 x 1- 1/4	2
20	307063	Snap-ring 1 1/4"	4
21	307075	Snap-ring 2"	1
22	300860	Bolt 5/8"-11 x 4" long	1
23	301020	Bolt 7/8"-9 x 3 1/2" long	6
24	301570	Nylon nut 5/8"-11	1
25	301590	Nylon nut 7/8"-9	6
26	301310	Flat washer 1/2"	2
27	59-076-034	Washer	1
28	59-076-035	Washer	4
29	59-114-123	Sleeve 3 1/4" O.D. x .375" (2.500" I.D.)	1

Safety Guidelines



WARNING. Read this instruction manual carefully before starting the loader. The technical data in this manual contains important information. Improper use can result in injury and damage to the machine.

Using a loader requires increased knowledge and experience. You must learn and know the behavior of the loader and practice using it. Study and practice the movement patterns with small loads until you master the machine completely. Stop all operations immediately if any bystanders enter the work zone (20 m).

Woody loaders are intended for normal use in the agricultural and forestry sectors. They must be used only by persons trained in the handling of this type of machinery.

- Before connecting the loader to the tractor's hydraulic system, you must read the tractor's instruction manual to ensure proper connections.
- Be extremely careful when connecting the loader to the tractor or the trailer to the tractor, as well as when detaching it.
- When operating, make sure everyone remains in the safety zone, outside of the loader risk area. The operator must have full visibility of the work zone.
- When operating, do not insert your hand or any other part of your body into the machine or under the load. Do not risk getting stuck between the different parts of the log loader or between the tractor and the trailer.
- Do not forget to raise the stabilizers before moving the equipment.
- When loading, always engage the tractor handbrake.
- Never leave the boom in a raised position without having control of the loader.
- Never use the loader to pull, push or hit.
- Be particularly careful when loading and unloading heavy materials.
- Never use the loading device during transport.
- To stop the machine, lower the loader boom and grapple on a firm surface, turn off the engine, engage the handbrake and remove the key from the ignition to prevent unauthorized use. The loader is not intended for lifting people.
- Be very careful when loading or unloading near high voltage lines. Keep a safe distance from live cables.

If the overload protection of the hydraulic system is not properly adjusted or certain system functions are altered, safety cannot be ensured.

- Always lower the hydraulic stabilizers before each operation to avoid overturning.
- Always check that any unauthorized personnel remain outside the work risk area.
- Never stand under a suspended load.
- Make sure that the tractor and trailer are always on firm ground so that there is no risk of overturning. When loading, use the stabilizers to prevent tilting of the loader.
- Make sure you always have a visual view of the work area.
- Do not work in conditions where you may get your fingers caught or hurt yourself.

When there is a risk of overturning, immediately lower the stick boom with the control lever.

- Hold the lever in this position until the load is on the ground. Do not interrupt the lowering movement as the risk of overturning will increase if the load stops abruptly.
- If the tractor rolls over, follow the instructions in the cab. Do not jump out of the cab. You could end up under the load during a fall or under the tractor.

Note: Even if the stabilizers have been lowered to the ground, the risk of overturning is greater when the trailer is empty or partially loaded.

Cracks in hydraulic hoses

- In the event of pressure loss in the hydraulic fluid or cracks in the hydraulic hoses, you must immediately shut down the tractor engine and lower the load to the ground. Stop the hydraulic flow. Repair the leak.
- If the main pressure hose between the tractor and the control system is cracked, you must interrupt the oil flow by disconnecting the lever control associated with the tractor's hydraulic distributor or by shutting off the engine with the OFF button.

Driving on the Road

- Observe the following instructions to avoid any risk of accident:

Position during Transport

- If there is no load, position the loader boom as low as possible on the trailer. Make sure that the grapple and the rotator are firmly attached to the trailer, so that there is no risk of the loader rolling over during transport.
- Make sure that none of the additional equipment connected to the loader is likely to cause an accident during transport.

Control is Important

- You must constantly be in control of the machine at all times and in all situations.
- Check that the “slow vehicle” plate and the reflective signals are correctly positioned. Check if the trailer lights are functioning correctly and check the tire pressure.
- The total permitted weights (in particular the weight of the axle) and the transport dimensions must never be exceeded.
- You must adapt your speed to the driving situation. Drive with caution when one side is tilted, as well as on sloping ground. There is a risk of overturning.
- Respect the laws of the road and applicable regulations.
- The braking distance of a tractor equipped with a trailer is longer than for other vehicles, beware of the risk of skidding and check for irregularities in the road.
- Secure the load and other loose parts securely.

Oil and Grease Caution

- Avoid any oil or grease contact with the skin during maintenance. Wear appropriate protective clothing.
- Never wash your hands with lubricating oil or grease. It may damage your skin. If your skin is irritated after contact with oil or grease, contact a doctor immediately.
- When servicing, waste oil should be disposed of in accordance with local regulations.

Welding Repair

- If a repair or modification requires the welding of certain parts, you must first contact your dealer for necessary instructions. Improper welding or negligence during welding can cause sudden machine breakdowns.

Working in Extreme Conditions

- The recommended ambient temperature for the operation of this machine is between -20 °C and + 30 °C. Low or high temperatures result in increased wear and stress on joints and hoses. In addition, steel wears faster, and cracks can occur.
- When working in extreme conditions, reduce loads to prevent damage. In case of low temperature let the hydraulic oil circulate freely during several minutes. Then operate each function several times to soften the joints and hoses before applying full pressure. When it is extremely hot, pay attention to the oil temperature. A temperature above 80 °C alters the properties of the oil and damages joints and hoses.

Maintenance / Service

- Regular maintenance and service ensure optimal and cost-effective operation.

Note: Failure to follow the instructions in this manual will void all warranties related to this machine. Regular and proper maintenance are a prerequisite for warranty coverage.

Maintenance and Servicing Safety Instructions

- Regular maintenance and service ensure optimal and cost-effective operation.

Note: Failure to follow the instructions in this manual will void all warranties related to this machine. Regular and proper maintenance are a prerequisite for warranty coverage.

- Read the instructions before servicing the machine. Each maintenance task requires reading and following instructions. Maintenance and lubrication should be done at the recommended intervals.
- Always use tools suitable for the maintenance / servicing tasks involved. Wear protective clothing and glasses.

- Shut off the tractor engine and remove the ignition key. If the engine has to run during certain maintenance operations, please stay away from any moving parts of the machine.
- Be extremely careful with pressurized oil. Oil under high pressure easily penetrates the skin. In case of accident, consult a doctor immediately.

Maintenance and Servicing Safety Instructions

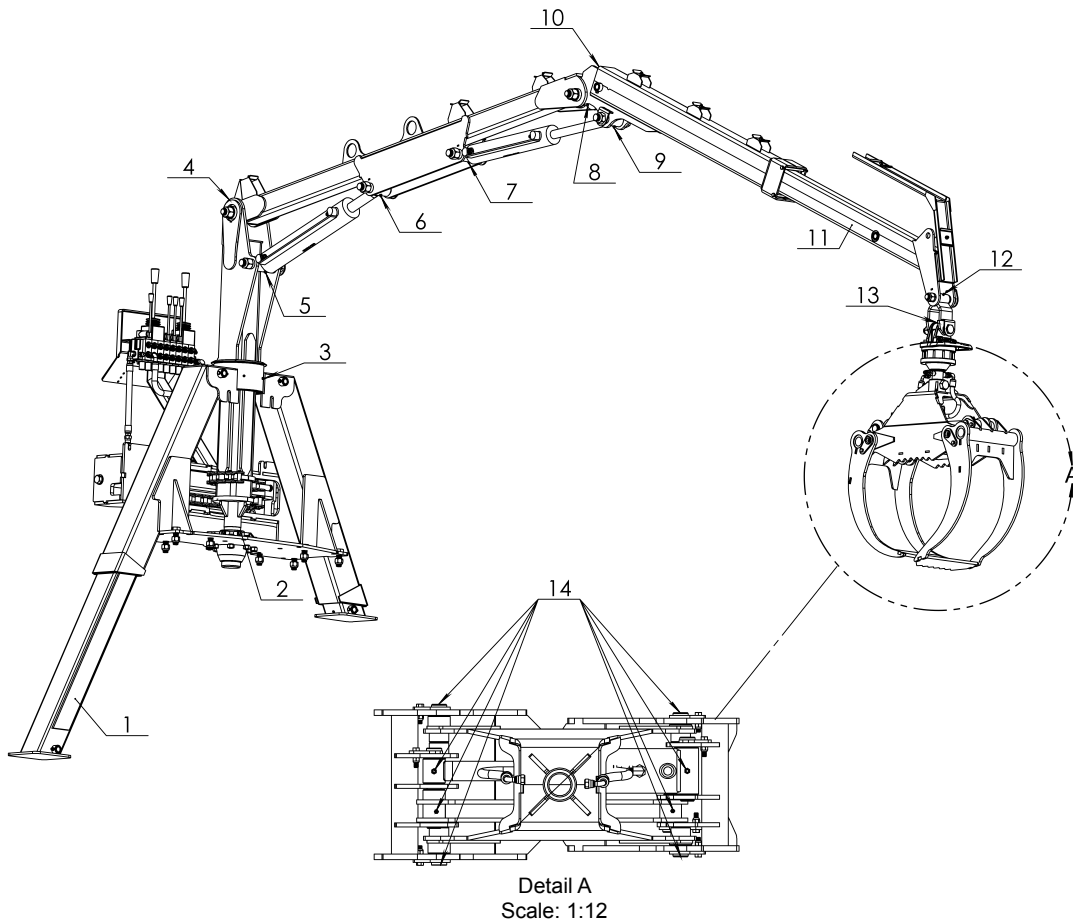
- Hot oil can cause burns. Inhalation of hot oil vapor can cause breathing difficulties.
- If a hose bursts and you get oil on your skin, it is not dangerous. However, avoid oil contact with eyes and nose. If you get oil in your eyes or in your respiratory tract, contact a doctor immediately.
- Keep explosive and flammable liquids away from sparks and open flames.

Daily inspections

It is important to inspect the equipment daily. If you notice a defect, you must repair it immediately.

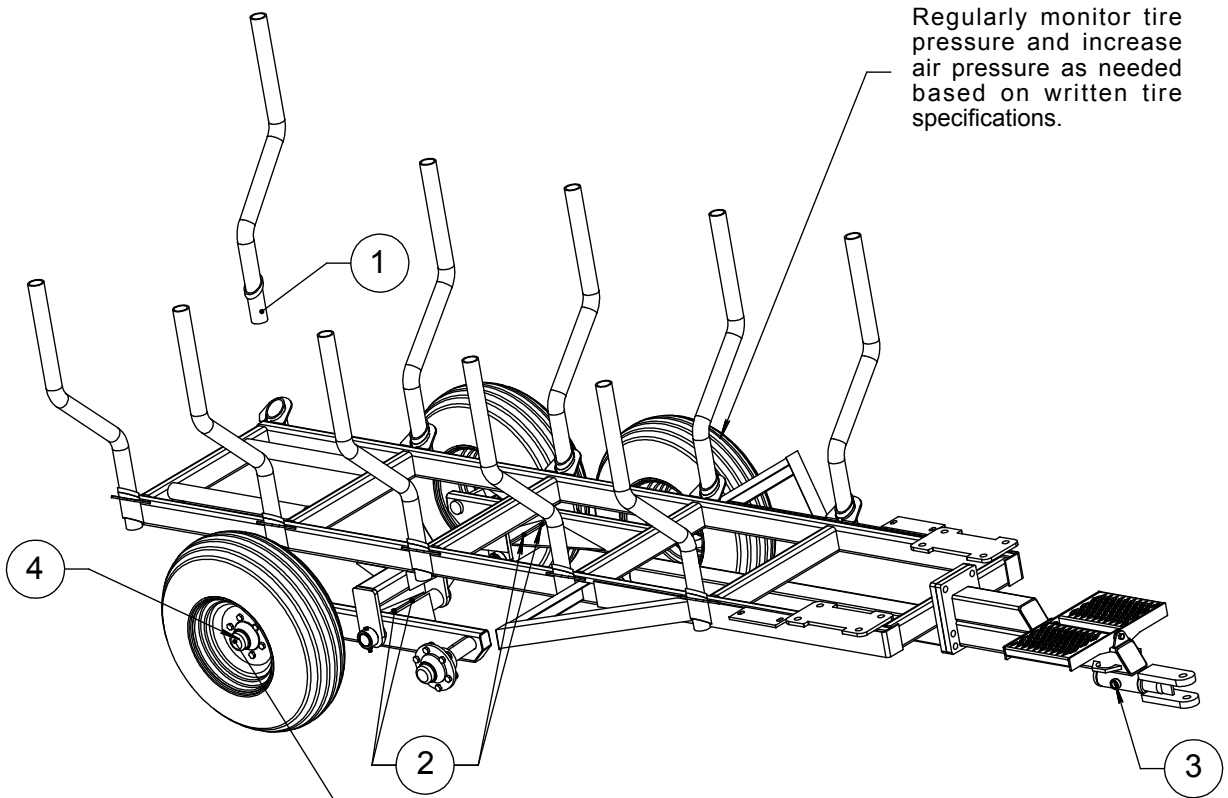
- When under load pressure, worn bolts can provoke a risk of rupture. If cracks are detected on the loader, any operation in progress must be stopped immediately.
- Damaged hoses must be replaced immediately. Check for leaks. Oil leaks create a risk of accidents and can harm the environment.
- Check the bolts and tighten the bolts if necessary.
- Perform the various movement patterns of the loader to verify that all functions are intact and working properly.

Loader Maintenance Instructions



LOADER MAINTENANCE INSTRUCTIONS			
ITEM	GREASING POINT	LUBRICATING OIL	GREASING INTERVAL HOURLY/YEARLY
1	Telescopic stabilizer leg	Bushing grease	Once a year, generously
2	Hub/bearing	Bearing grease	Every 10 hours
3	Rotation	Bushing grease	Every 10 hours
4	Front pin	Bushing grease	Every 10 hours
5	Cylinder pin	Bushing grease	Every 10 hours
6	Cylinder pin	Bushing grease	Every 10 hours
7	Cylinder pin	Bushing grease	Every 10 hours
8	Center booms pin	Bushing grease	Every 10 hours
9	Cylinder pin	Bushing grease	Every 10 hours
10	Cylinder Pin	Bushing grease	Once a year
11	Telescopic boom	Bushing grease	Once a year
12	Rotation pin	Bushing grease	Every 10 hours
13	Rotation pin	Bushing grease	Every 10 hours
14	Rotation pin	Bushing grease	Every 10 hours

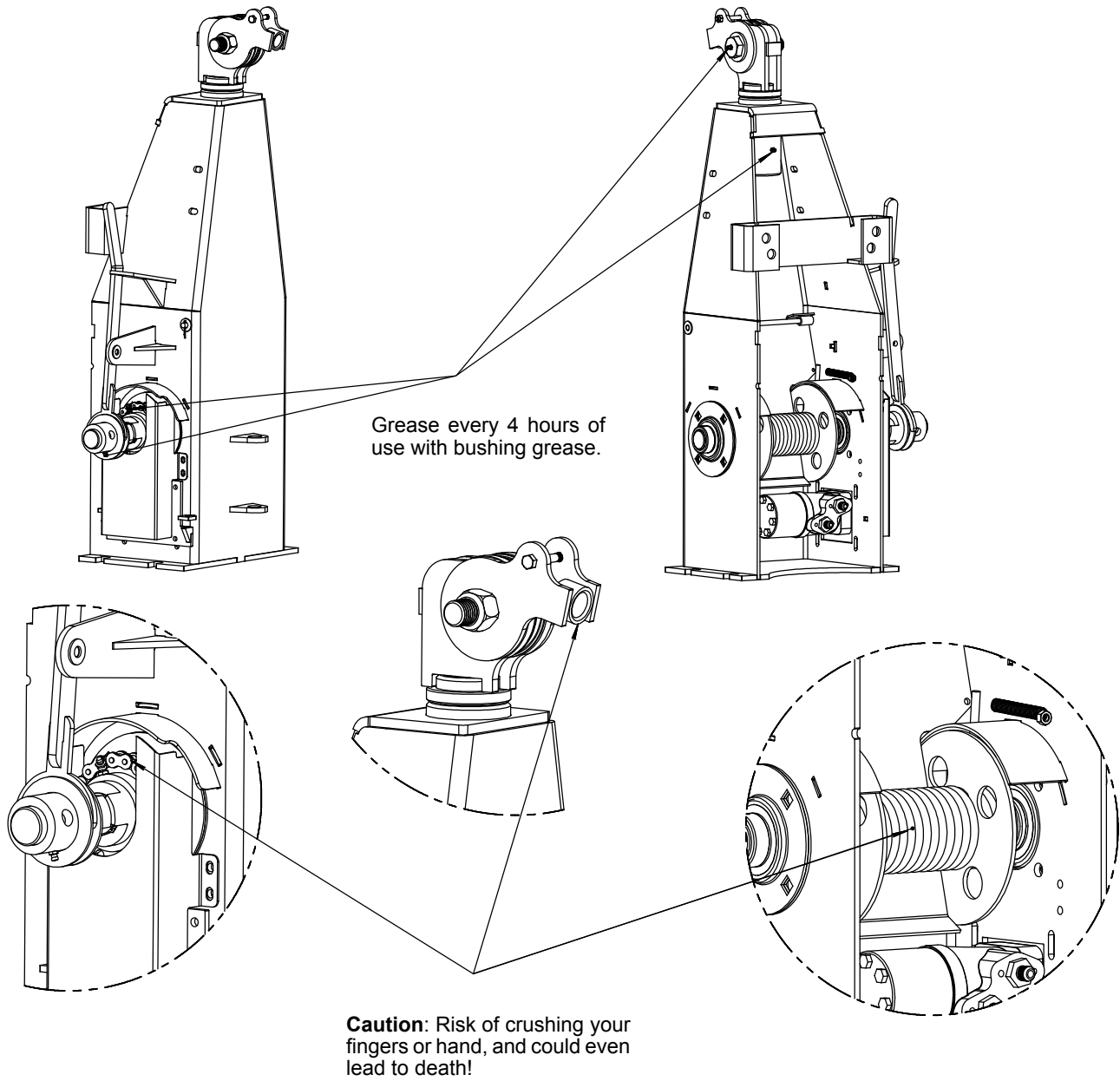
Forestry Trailer Maintenance



By prevention, remove the cap once a year, tighten the castellated nut, fill the cap with grease and replace the cap.

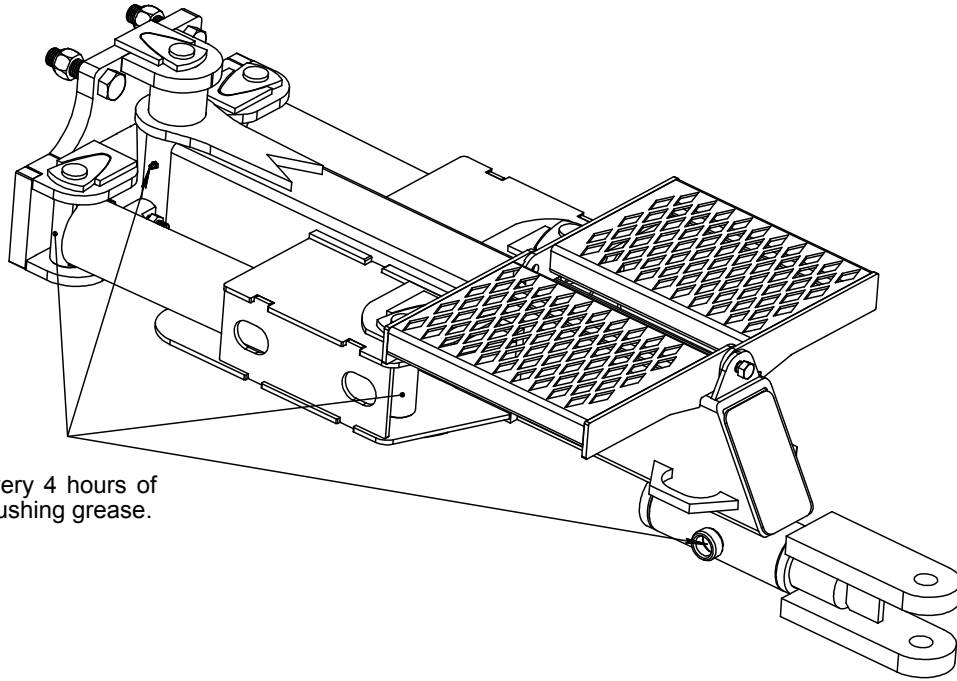
FORESTRY TRAILER MAINTENANCE			
ITEM	GREASING POINT	LUBRICATING OIL	GREASING INTERVAL HOURLY/YEARLY
1	Post	Bushing grease	Once a year, generously
2	Tandem pin	Bushing grease	Every 10 hours
3	Hitch pin	Bushing grease	Every 10 hours
4	Hub	Bushing grease	Every 10 hours

Winch Maintenance and Safety Instructions

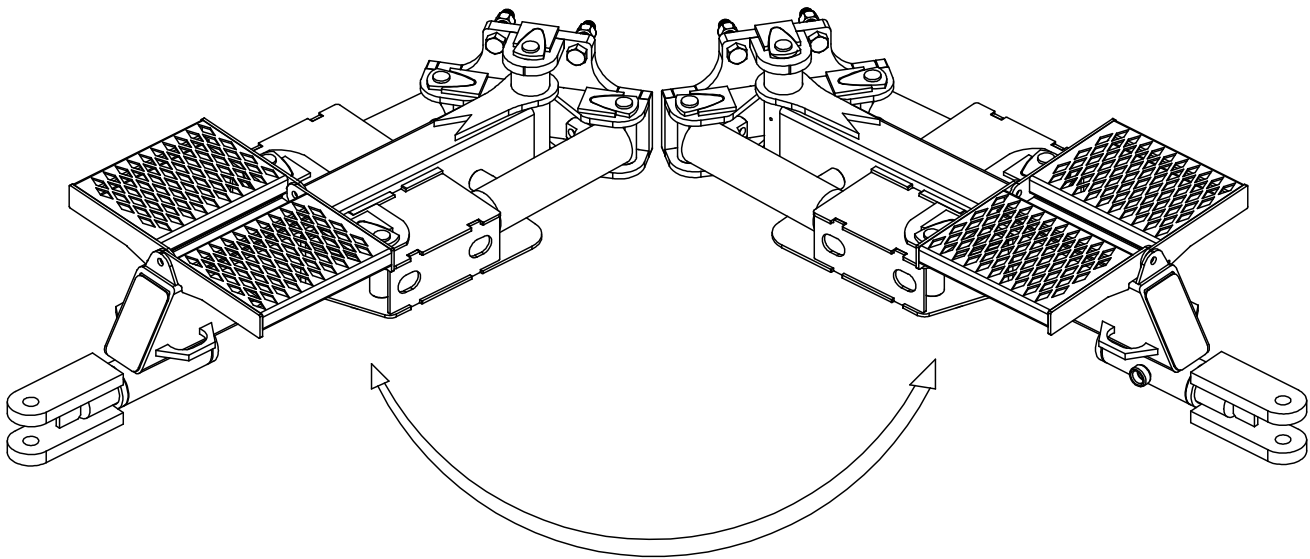


Note: 6000 lbs winch illustrated. Your winch may vary.

Double Drawbar Maintenance and Safety Instructions



Grease every 4 hours of use with bushing grease.



Make sure that no one is standing in the parameter and also make sure that no one is standing on the step!

Storage

If you plan to stop using the loader for a long period of time, it should be cleaned carefully. Note that high pressure cleaning is not recommended! After cleaning, make a visual inspection for any cracks (if you find any, you must have them repaired before the next use of the loader) all grease nipples must be lubricated. The grease is used to evacuate water and thus neutralize corrosion and wear.

- Store the loader under a roof. If this is not possible, cover it with a tarpaulin.
- Place loader boom and grapple in the transport position.

Note: A stored loader is not a play area for children.

1 YEAR LIMITED WARRANTY

Les Équipements Woody Inc.

Warranty Qualifications

Les Équipements Woody Inc. (hereinafter referred to as "Woody") warrants its Log Loader (hereinafter referred to as the "Product") against defects in material or factory workmanship, subject to all the terms and conditions stated herein.

All Products manufactured by Woody and used for domestic purposes (excluding commercial and industrial use) are covered by a one (1) year warranty applicable from the purchase date, except in particular cases when the warranty might be modified according to adjustments specified on the sales contract.

The warranty extends only to the original purchaser (hereinafter referred to as the "Buyer") of the Product and not to other purchasers or transferees unless agreed to in writing by Woody that the mechanical and electrical components will be free of defects in material and workmanship for the warranty period. The warranty covers all the parts of the new Product, except the hydraulic hoses, the hydraulic fittings and the electrical wires, and includes the labor performed by Woody or by a Woody authorized Dealer (hereinafter referred to as the "Dealer").

Warranty Repair and Replacement Service

All warranted repairs must be performed by Woody or by an authorized Dealer with the written consent of Woody, otherwise the warranty will be voided. Woody reserves the right to either repair or replace, without cost to the buyer any part judged defective on grounds of defective materials or workmanship. It also reserves the right to determine if the defect resulted from lack of maintenance or incorrect or abusive use of the Product.

In the event of any failure caused by a defect in material or in factory workmanship covered by this warranty, the Buyer shall: (1) notify Woody of the nature of the problem without delay; (2) stop using or operating the Product, unless authorized in writing by Woody.

Warranty service shall be performed at the point of purchase of the Product either by Woody or by a Dealer using parts provided by Woody.

If the Product was purchased directly from Woody, the Buyer shall return either the Product or the defective parts "prepaid" to Woody without delay. If Woody deems that the parts are in fact defective, it shall repair or replace the parts and, when the Product is returned to Woody, install them free of charge to the Buyer.

If the Product was purchased from a Dealer, Woody shall provide the replacement parts to the Buyer through the intermediary of the Dealer. The Dealer shall install the parts and return the replaced parts to Woody, "prepaid" by the Buyer, within thirty (30) days of the repairs. The parts and their installation shall be without charge to the Buyer providing that the replaced parts are proven defective to Woody's satisfaction.

In all cases, all costs related to the transportation of parts or of the Product to and from Woody or the Dealer, any premium charged for overtime labor requested by the Buyer or for any service and/or maintenance shall be the sole responsibility of the Buyer.

All parts replaced under the warranty shall remain the property of Woody.

If the Buyer fails to follow any of the above procedures or if the parts are not proven to be defective to Woody's satisfaction, the Buyer shall not benefit from the warranty.

No Dealer Warranty

The Dealer has no authority to make any representation or promise on behalf of Woody, or to modify the terms or limitations of this warranty in any way.

Warranty Exclusions

This warranty does not cover the following:

Product needs periodic parts and service to perform well. This warranty does not cover repair when normal use has exhausted the life of a part or the equipment as a whole or by lack of reasonable and proper maintenance, by lack of proper protection during storage, by failure to follow operating instructions and/or failure to operate the Product according to the specifications outlined by Woody.

This warranty does not apply to damage caused to the Product or machinery by the Buyer or Dealer during installation of the Product or due to improper installation of the Product.

This warranty will not apply to parts and/or labour if this Product is deemed to have been misused, neglected, involved in an accident, abused or defects caused by any alteration or modification of the Product not approved in writing by Woody.

Other Exclusions

This warranty excludes:

- Cosmetic defects such as paint, decals, etc.
- Any damage resulting from overturning the machine.
- Failures due to acts of God and any other major force events beyond Woody's control.
- Problems caused by parts that are not original Woody parts.
- Certain parts are guaranteed by their respective manufacturer.

Limits of Implied Warranty and Consequential Damage

Woody disclaims any obligation to cover any material or personal damages, including loss of time, loss of income use of this Product, replacement rental, freight or any other damages caused by a defective Product or any incidental or consequential claim by anyone from using this Product.

Contact information

Address

Les Équipements Woody Inc.
205 rue Commerciale
Saint-Odilon (QC)
Canada G0S 3A0

www.equipementswoody.com

Parts and Service

T. 418 464-2748
F. 418 464-2746
info@equipementswoody.com

When ordering replacement parts please contact Woody Equipment or your closest authorized Woody Equipment dealer.



WOODY EQUIPMENT INC.
205 rue Commerciale
Saint-Odilon (QC)
Canada G0S 3A0

T. 418 464-2748
F. 418 464-2746
info@equipementswoody.com
www.equipementswoody.com