

**Woody Log Loader
Operator's Manual
Models
115 HD - 115 HDT - 125 LP**

Woody Equipment Inc., 205 rue Commercial, Saint-Odilon-de-Cranbourne, Quebec, Canada G0S3A0
T. (418) 464-2748 F. (418) 464-2746 Email: ewoody@sogetel.net <mailto:ewoody@sogetel.net>
Website: www.equipementswoody.com <http://www.equipementswoody.com/>
Facebook: Équipements Woody



Woody Equipment Inc.
Owners: Jerome and Sebastien Labbe

205 rue Commerciale
Saint-Odilon-de-Cranbourne
Beauce-Nord, Quebec,
Canada G0S 3A0

T. (418) 464-2748
F. (418) 464-2746

Email: ewoody@sogetel.net
Website: www.equipementswoody.com
Facebook: Les Equipements Woody

Woody Equipment Inc.

© All Rights Reserved: Woody Equipment Inc. of Saint-Odilon-de-Cranbourne.
No part of this manual may be reproduced in any form without the written permission of Woody Equipment Inc.



Table of contents

Introduction.....	1
Warning.....	2
Characteristic of the loader 115HD.....	3
115HD Loader Parts List.....	4
Characteristic of the loader 115 HDT.....	5
115 HDT Loader Parts List.....	6
Characteristic of the loader 125 LP.....	7
125 LP Loader Parts List.....	8
Characteristic of the Control valve.....	9
Characteristic of the trailer 10-66 tires 11L15.....	10
Characteristic of the trailer 10-66 tires 12.5L15.....	11
Characteristic of the trailer 10-66LP tires 11L15.....	12
Characteristic of the Forestry Trailer assembly	
30-030 to 30-041.....	13-14
Forestry Trailer (Older models).....	15
Gravel Bin assembly.....	16-17
Parts list Grapple 36".....	18
Parts list 6000 lbs winch high.....	19-20
Parts list 6000 lbs winch low.....	21
Parts list Dipper Dredger 24" for Grapple 36".....	22
Parts list Conduite simple directional.....	23
Parts list Conduite medium pole removable.....	24
Parts list Power Unite.....	25-26
Parts list Hydraulic hoses.....	27
Parts list gravel bin.....	28
Operation.....	29-30
Safety Instructions.....	31-37
Guarantee.....	38-39



Introduction

Congratulations on your purchase of a Woody Log Loader. Woody Equipment designs and manufactures equipment according to very strict criteria. This equipment is intended for professional use in the agricultural and forestry sectors.

Even if you have experience with this type of product, we recommend that you read these instructions carefully. These instructions contain important information on safety and efficiency and to ensure the validity of the factory guarantee.

Woody Equipment reserves the right to modify and / or improve its equipment and maintenance instructions, as well as to revise data without notice.

Write down the serial number, model number, purchased date, dealer name, and sales representative's name. Keep this information available for ordering parts as well as for any technical assistance or warranty issue.

Serial number	
Model number	
Purchased date	
Dealer	
Sales representative	



Warning

The following symbols used in this manual are to warn the operator of the dangers connected to the use of this machinery. Follow the safety instructions to avoid any risk of serious injury or death.

	AVERTISSEMENT
	CHUTE DE LA CHARGE OU DES MÂTS Peut causer de graves blessures ou la mort. Ne jamais déplacer la charge ou les mâts au-dessus du personnel.
	WARNING
	FALLING BOOM OR LOAD Can cause severe injuries or death. Do not move boom or load over people.
<small>ALFACOLLAS TUBEL 76L 30 006 20</small>	

	AVERTISSEMENT
	RISQUE D'ECRASSEMENT Les stabilisateurs peuvent causer de graves blessures ou la mort. Gardez le personnel éloigné des stabilisateurs.
	WARNING
	CRUSHING HAZARD Stabilizers can cause severe injuries or death. Keep bystanders away from stack zone.
<small>ALFACOLLAS TUBEL 76L 30 006 20</small>	

	AVERTISSEMENT
	MACHINE INSTABLE Toujours opérer la chargeuse avec les stabilisateurs abaissés sur un sol ferme et au niveau. Assurez- vous d'avoir une stabilité adéquate.
	WARNING
	UNSTABLE MACHINE Do not operate loader without lowering the stabilizers on firm level ground and checking for adequate stability.
<small>ALFACOLLAS TUBEL 76L 30 006 20</small>	

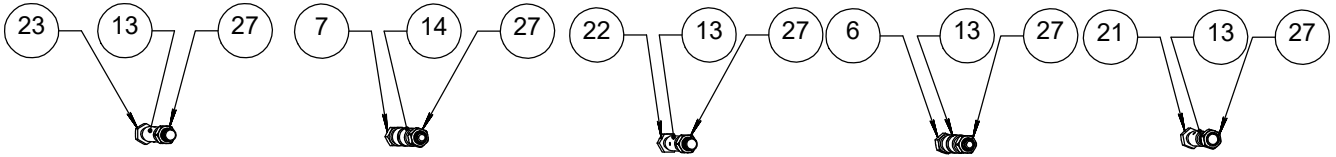
	DANGER
	ÉLOIGNEZ-VOUS STAY AWAY
<small>ALFACOLLAS TUBEL 76L 30 006 20</small>	

	AVERTISSEMENT
<small>C'est le opérateur de cette chargeuse doit être qualifié et entraîné avant d'opérer cet équipement. Observez les lois fédérales et provinciales sur les règlements de sécurité concernant certains travaux particuliers à effectuer. Ne jamais dépasser les spécifications techniques recommandées de la chargeuse ou de l'attachement. Il est important de suivre les instructions sur les schémas de sécurité. Informez les autres de la présence de l'opérateur de la chargeuse et dans les opérations techniques, sinon des blessures ou même la mort peuvent en résulter.</small>	
	WARNING
<small>Any operator of this loader must be fully trained and qualified to do so. Observe all state or provincial safety regulations relating to the particular work being performed. Never exceed recommended technical specifications of the loader or its attachments. Injury, including death may result from failure to follow this warning and/or the information contained in the loader operator's manual/technical specifications sheet.</small>	
<small>ALFACOLLAS TUBEL 76L 30 006 20</small>	

DANGER 20M ZONE AREA



115 HD LOADER PARTS LIST



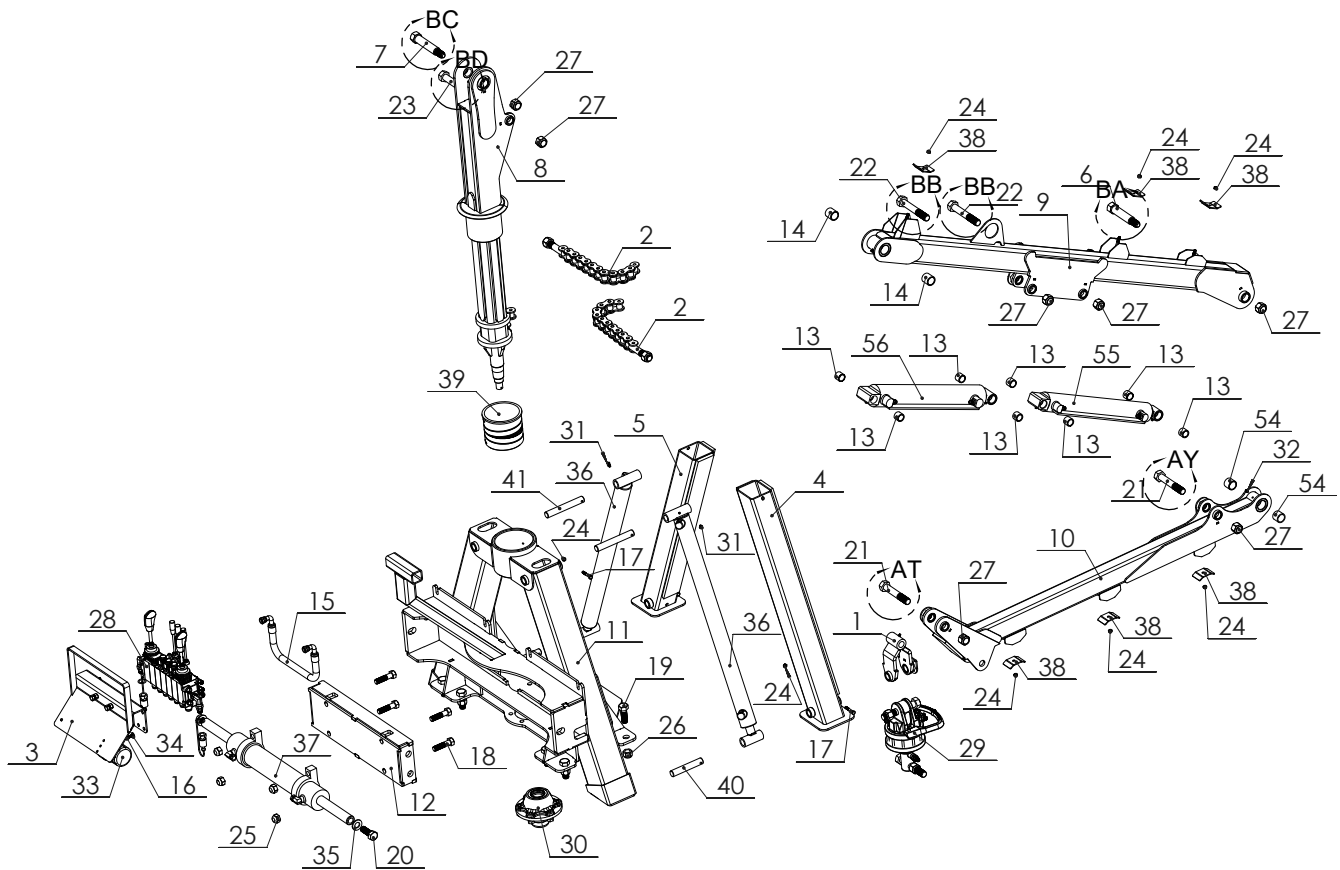
DETAIL BD
SCALE 1 : 15

DETAIL BC
SCALE 1 : 15

DETAIL BB
SCALE 1 : 15

DETAIL BA
SCALE 1 : 15

DETAIL AY
SCALE 1 : 15



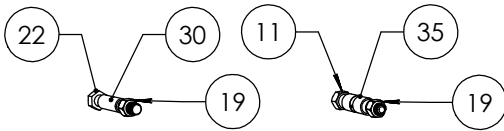


115 HD Loader Parts List

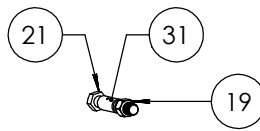
Item	Part #	Description	Qty
1	57-000-04	Grappler link 36"/42"/52"	1
2	60-003-08	Rotation chain for 115-125	2
3	60-010-04	Valve control support Loader 115, 125, 130 ,150 & 170	1
4	60-012-05	Telescopic leg loader 115-125 LP	1
5	60-012-06	Telescopic leg loader 115-125 LP	1
6	60-012-07	Pivot pin small to large Boom Loader 115, 125	1
7	60-012-08	Pivot pin Boom to Tower Loader 115, 125	1
8	60-021-02	Main Tower Loader	1
9	60-021-03	Large boom Loader 115 HD	1
10	60-021-04	Small boom Loader 115 HD	1
11	60-021-15	A-Frame Loader 115 HD	1
12	60-021-16	Swing drawer Loader 115-125	1
13	111000	Bushing 1 x 1.25 x 1	8
14	111012	Bushing 1.25 x 1.5 x 1.5	2
15	140040-020-100600-100600	Hydraulic hose assembly 1/2" - 20" Length	1
16	300700	Bolt 5/16"-18 x 1" Lenght	4
17	300730	Bolt 5/16"-18 x 2" Lenght	4
18	B-12-10-48-32	Bolt 3/4"-10 x 3" Lenght	4
19	301010	Bolt 7/8"-9 x 2 1/2" Lenght	8
20	301011	Bolt 7/8"-14 UNF X 2 1/2" Length X 2 1/2" Thread	2
21	300320	Bolt 1"-8 x 6" Lenght	2
22	300330	Bolt 1"-8 x 6 1/2" Lenght	2
23	300340	Bolt 1"-8 x 7" Lenght	1
24	301560	Nylon nut 5/16"-18	10
25	301540	Nylon nut 3/4"-10	4
26	301590	Nylon nut 7/8"-9	8
27	301500	Nylon nut 1"-8	9
28	130240	Monoblock Control valve 7 sections Q30	1
29	199309	Rotor CR30	1
30	306201	Wheel hub	1
31	310010	Grease nipple 90 degrees 1/4"-28	2
32	310020	Grease nipple right 1/4"-28	4
33	400500	Document holder	1
34	301350	Flat Washer 3/8" Narrow	4
35	301380	Flat Washer 7/8" Narrow	2
36	120212	Hydraulic cylinder 2" Dia. x 30" Stroke	2
37	121090	Hydraulic cylinder double 3" Dia. X 16" Stroke	1
38	60-000-060	Pipe lock	6
39	60-012-028	MOS2 Rotating sleeve Loader 115HD	1
40	86-16-92-E08-00	Pin 1" O.D.	2
41	86-16-112-E08-00	Pin 1" O.D.	2
54	111012 coupé 1 1/4	Bushing 1.25 x 1.5 x 1.5 (1 1/4 Length)	2
55	120322	Hydraulic cylinder 2 1/2" Dia. x 16" Stroke	1
56	120483	Hydraulic cylinder 3" Dia. x 16" Stroke	1



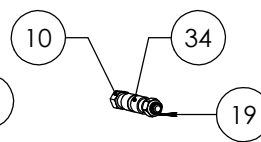
115 HDT Loader Parts List



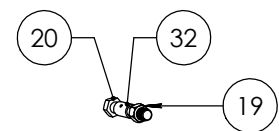
DETAIL AV
SCALE 1 : 16



DETAIL AU
SCALE 1 : 16

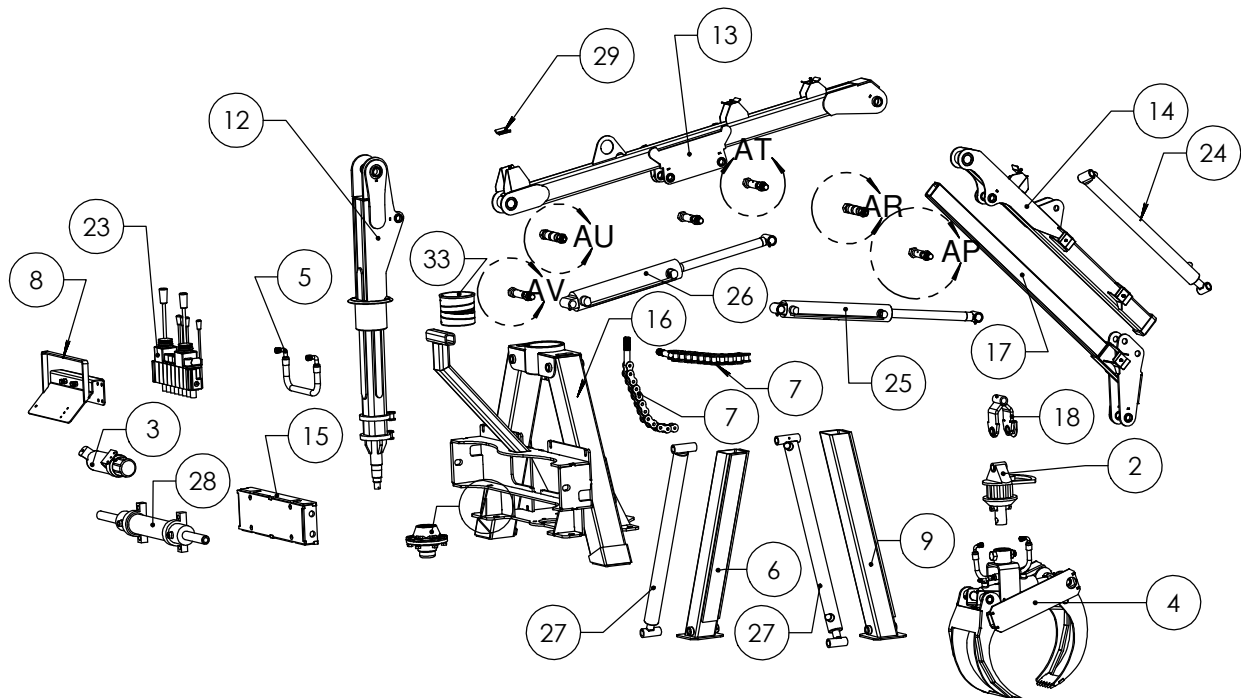


DETAIL AT
SCALE 1 : 16



DETAIL AR
SCALE 1 : 16

DETAIL AP
SCALE 1 : 16



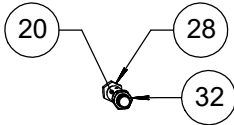


115 HDT Loader Parts List

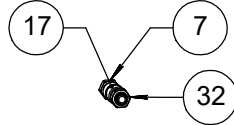
Item	Part #	Description	Qty
1	306201	Wheel bearing	1
2	199309	GR30 Rotator	1
3	400500	Document holder	1
4	57-002	36" Grapple	1
5	140040-020-100600-100600	Hose assembly 1/2" - 20" long	1
6	60-012-06	Loader telescopic stabilizer 115, 125	1
7	60-003-08	Rotation chain 115, 125 LP	2
8	60-010-04	Loader control valve support 115, 125, 130,150 & 170	1
9	60-012-05	Loader telescopic stabilizer 115, 125 LP	1
10	60-012-07	Stick boom pin 115, 125	1
11	60-012-08	Main boom pin - 115, 125	1
12	60-021-02	Loader column	1
13	60-027-02	Loader main boom 115 HDT	1
14	60-027-01	Loader stick boom 115 HDT	1
15	60-021-16	Loader swing slider 115-125	1
16	60-021-15	Loader A-Frame 115 HD	1
17	60-027-03	Telescope 115	1
18	57-000-04	Grapple yoke	1
19	301500	Nylon nut 1"-8	6
20	300320	Bolt 1"-8 x 6" long	1
21	300330	Bolt 1"-8 x 6 1/2" long	2
22	300340	Bolt 1"-8 x 7" long	1
23	130250	Anti-shock Q30/8 control	1
24	120190	Hydraulic cylinder 2" x 24" stroke	1
25	120322	Hydraulic cylinder 2 1/2" x 16" stroke	1
26	120483	Hydraulic cylinder 3" x 16" stroke	1
27	120212	Hydraulic cylinder 2" x 30" stroke	2
28	121090	Double action hydraulic cylinder 3" X 16"	1
29	60-000-060	Hose lock	7
30	89-20-16-52-D26-00	Plastic tubing 1 1/4" O.D.	1
31	89-20-16-44-D22-00	Plastic tubing 1 1/4" O.D.	2
32	89-20-16-36-D18-00	Plastic tubing 1 1/4" O.D.	1
33	60-012-028	Rotation plastic sleeve	1
34	89-24-20-48-D24-00	Plastic tubing 1 1/2" O.D.	1
35	89-24-20-56-D28-00	Plastic tubing 1 1/2" O.D.	1



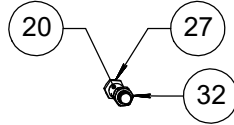
125 LP Loader Parts List



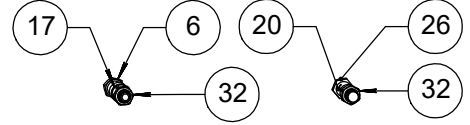
DETAIL AN
SCALE 1 : 15



DETAIL AM
SCALE 1 : 15

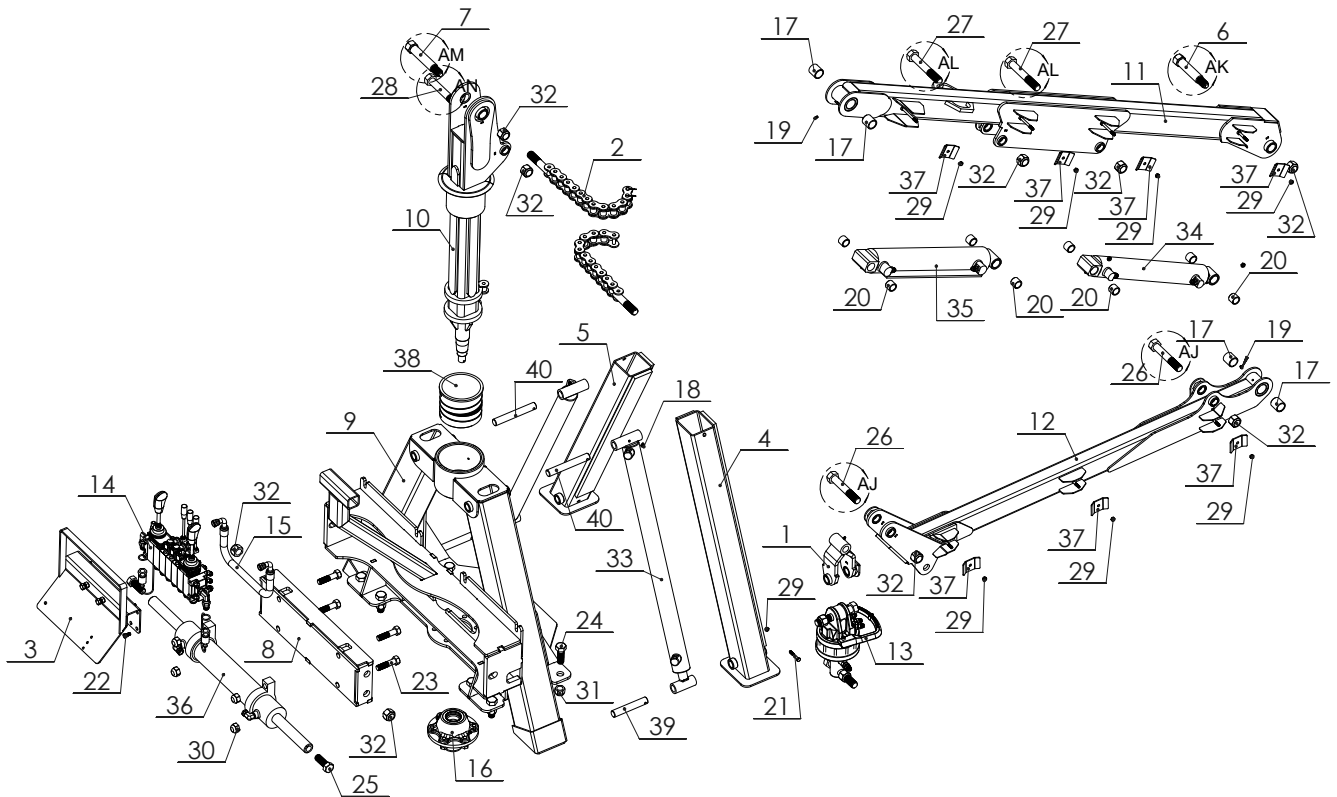


DETAIL AL
SCALE 1 : 15



DETAIL AK
SCALE 1 : 15

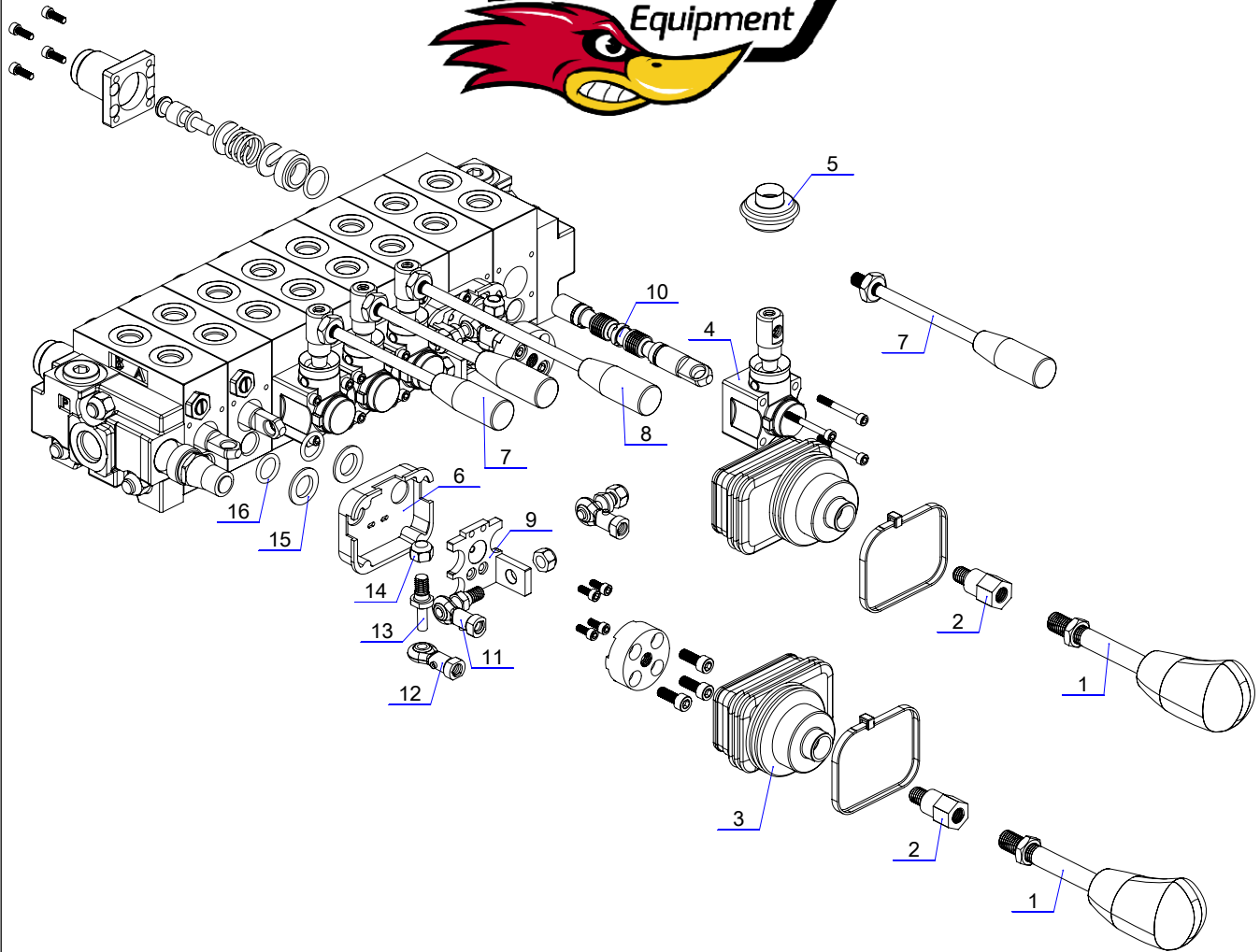
DETAIL AJ
SCALE 1 : 15





125 LP Loader Parts List

Item	Part #	Description	Qty
1	57-000-04	Grappler link 36"/42"/52"	1
2	60-003-08	Rotation chain for 115-125	2
3	60-010-04	Valve control support Loader 115, 125, 130 ,150 & 170	1
4	60-012-05	Telescopic leg loader 115-125 LP	1
5	60-012-06	Telescopic leg loader 115-125 LP	1
6	60-012-07	Pivot pin small to large Boom Loader 115, 125	1
7	60-012-08	Pivot pin Boom to Tower Loader 115, 125	1
8	60-021-16	Swing drawer Loader 115-125	1
9	60-033-01	A-Frame 125LP	1
10	60-033-02	Main tower 125LP	1
11	60-033-03	Large boom loader 125LP	1
12	60-033-04	Small boom loader 125LP	1
13	199309	Rotor CR30	1
14	130240	Monoblock Control valve 7 sections Q30	1
15	140040-020-100600-100600	Hydraulic hose assembly 1/2" - 20" Length	1
16	306201	Wheel hub	1
17	111012	Bushing 1.25 x 1.5 x 1.5	4
18	310010	Graisseur 90 degré 1/4"-28	2
19	310020	Grease nipple 90 degrees 1/4"-28	4
20	111000	Bushing 1 x 1.25 x 1	8
21	300730	Bolt 5/16"-18 x 2" Lenght	4
22	300560	Bolt 3/8"-24 X 3/4" UNF Lenght X 3/4" Thread	4
23	300420	Bolt 3/4"-10 x 3" Lenght	4
24	301010	Bolt 7/8"-9 x 2 1/2" Lenght	8
25	301011	Bolt 7/8"-14 UNF X 2 1/2" Lenght X 2 1/2" Threah	2
26	300320	Bolt 1"-8 x 6" Lenght	2
27	300330	Bolt 1"-8 x 6 1/2" Lenght	2
28	300340	Bolt 1"-8 x 7" Lenght	1
29	301560	Nylon nut 5/16"-18	13
30	301540	Nylon nut 3/4"-10	4
31	301590	Nylon nut 7/8"-9	8
32	301500	Nylon nut 1"-8	9
33	120212	Hydraulic cylinder 2" Dia. x 30" Stroke	2
34	120322	Hydraulic cylinder 2 1/2" Dia. x 16" Stroke	1
35	120483	Hydraulic cylinder 3" Dia. x 16" Stroke	1
36	121090	Hydraulic cylinder double 3" Dia. X 16" Stroke	1
37	60-000-060	Pipe lock	7
38	60-012-028	MOS2 Rotating sleeve Loader 115HD	1
39	86-16-92-E08-00	Pin 1" O.D.	2
40	86-16-112-E08-00	Pin 1" O.D.	2

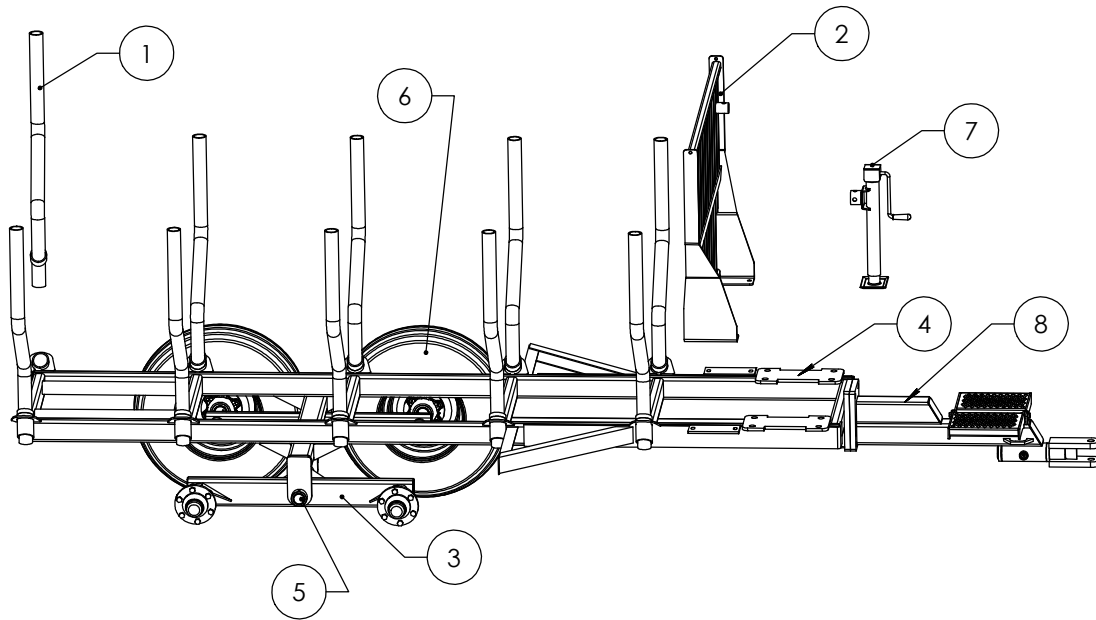


8 Sections Valve Q30
GA 8 sections valve Q30 03008010304390E
Part List

No	Part #	Description	Quantity
1	130035	Bras pour joystick Q30 GA avec gros pommeaux	2
2	130317	GA Lever Adapter A15-A35 Q30-25-45	2
3	130030	Big Boots Joystick Q30-Q130 GA	2
4	130015	GA Galtech Lever Box	4
5	130020	GA Lever Box Small Boots	1
6	130300	GA Joystick Plate NEW MODEL	2
7	130040	GA Short arm Q30 160MM for individual section	3
8	130050	GA Long arm Q 30 210MM for individual section	1
9	130131,130132	GA plate A35-34R LEFT new version	1
10	130290, 130291	SPOOL/TIROIR double action open center cylinder threaded on both ends Q25/Q30 old model	5
11	130310	GA PIN FOR NIB WITH BALL JOINT ASSEMBLED FOR NEW MODEL	2
12	130100	GA Head RF6	4
13	130080	GA Pin for sliding Old and New Model	4
14	130060	GA Nylon Nuts M8 for Q30/A15	6
15	130000	GA Snap ring/washer spacer GA 06019 28497	4
16	130001	GA drawer seals A-25-30 OR 70 113	4



10-66 Forestry Trailer with 11L15 Tires Parts List

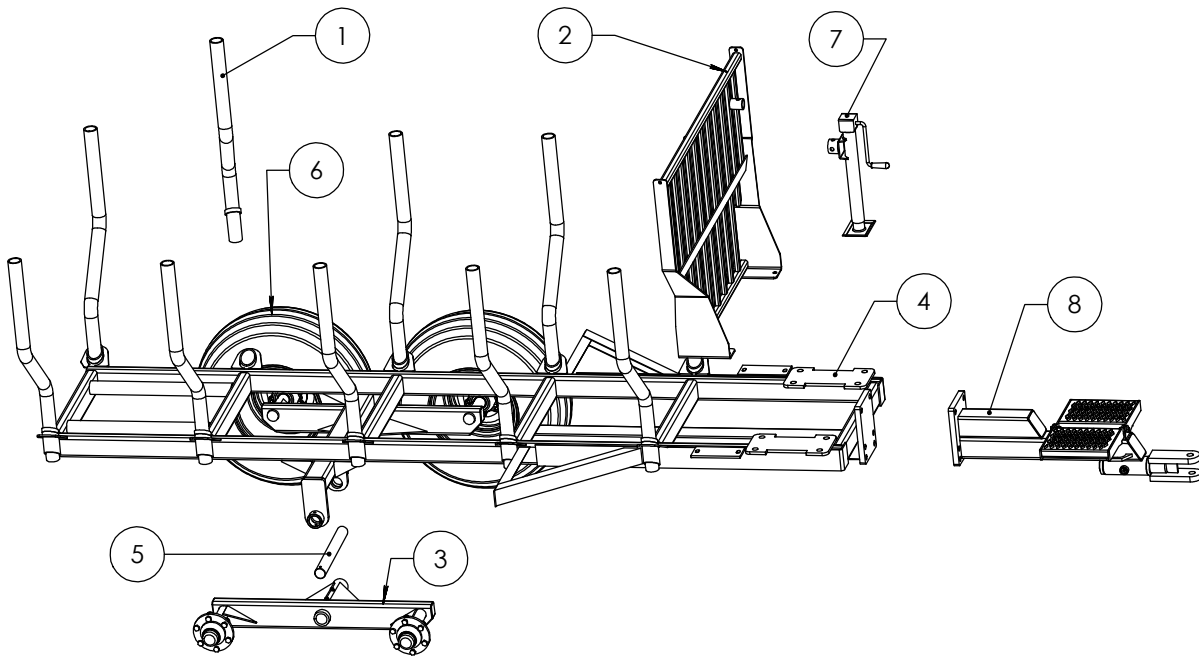


10-66 Forestry Trailer with 11L15 Tires Parts List

Item	Part #	Description	Qty
1	59-00-04	10-66 Trailer post	10
2	59-000-05	Protective grid 38" wide x 38" high	1
3	59-026-03	Tandem trailer	2
4	59-011-01	10-66 Forestry trailer frame - 115 HD	1
5	86-31-285-F12-00	Shaft 1 15/16" O.D.	2
6	302010	11L15 Tire, 8-ply, 6 nuts, 5000 lb.	4
7	303020	Trailer Jack - 6000 or (5000) lb.	1
8	59-076-01	Removable drawbar	1



10-66 Forestry Trailer with 12.5L15 Tires Parts List

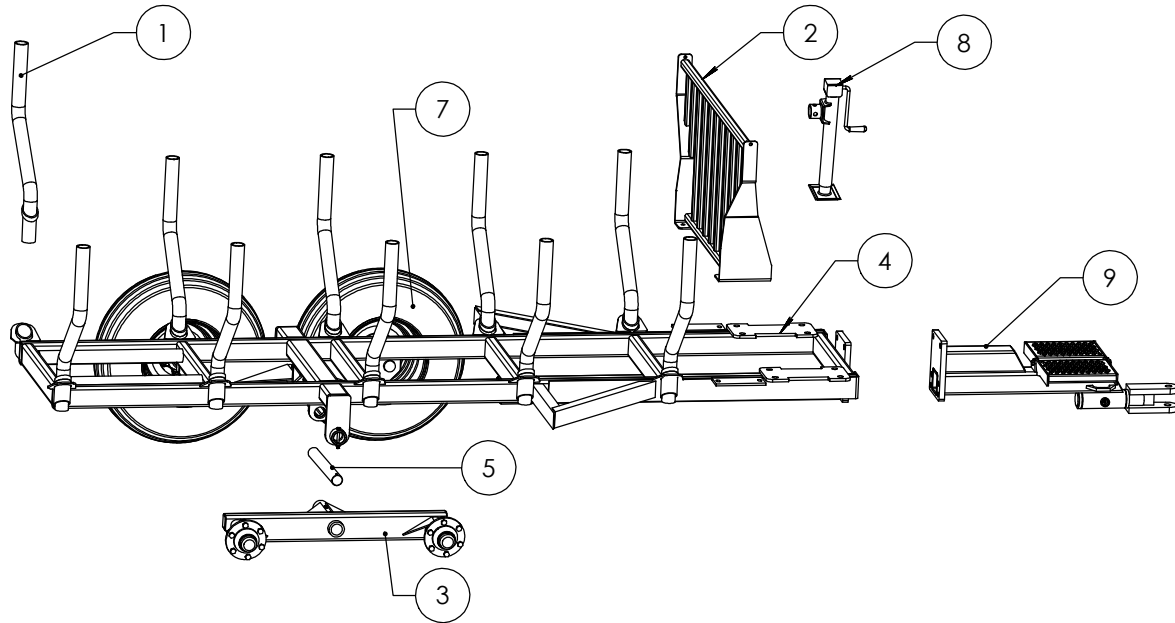


10-66 Forestry Trailer with 12.5L15 Tires Parts List

Item	Part #	Description	Qty
1	59-000-04	10-66 Trailer post	10
2	59-000-05	Protective grid 38" wide x 38" high	1
3	59-026-03	Tandem trailer	2
4	59-011-01	10-66 Forestry trailer frame - 115 HD	1
5	86-31-285-F12-00	Shaft 1 15/16" O.D.	2
6	302020	12.5L15 Tire, 10-ply, 6 nuts	4
7	303020	Trailer Jack - 6000 or (5000) lbs	1
8	59-076-01	Removable drawbar	1



10-66LP Forestry Trailer 11L15 Tires Parts List



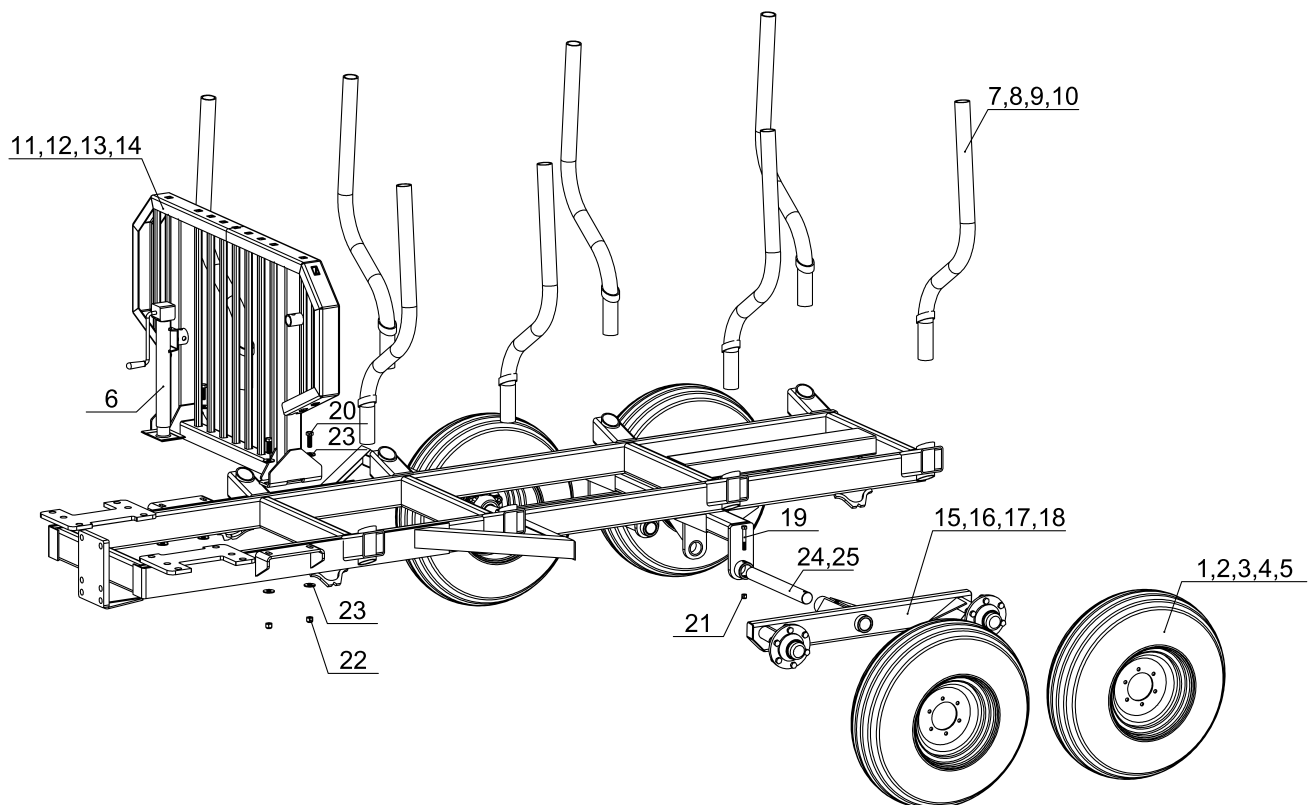
10-66 Forestry Trailer with 11.5L15 Tires Parts List

Item	Part #	Description	Qty
1	59-000-33	10-66 trailer short post	10
2	59-000-32	Protective grid 38" wide x 38" high	1
3	59-026-03	Tandem trailer	2
4	59-175-01	10-66 Forestry trailer frame 125 HD	1
5	86-31-285-F12-00	Shaft 1 15/16" O.D.	2
6	301550	Nylon nut 3/8"-16	2
7	302010	11.5L15 Tire, 8-ply, 6 nuts, 5000 lbs	4
8	303020	Trailer Jack - 6000 or (5000) lbs	1
9	59-076-01	Removable drawbar	1



Forestry Trailer assembly

Part no. 30-030, 30-031, 30-035, 30-036, 30-040, 30-041





Forestry Trailer assembly

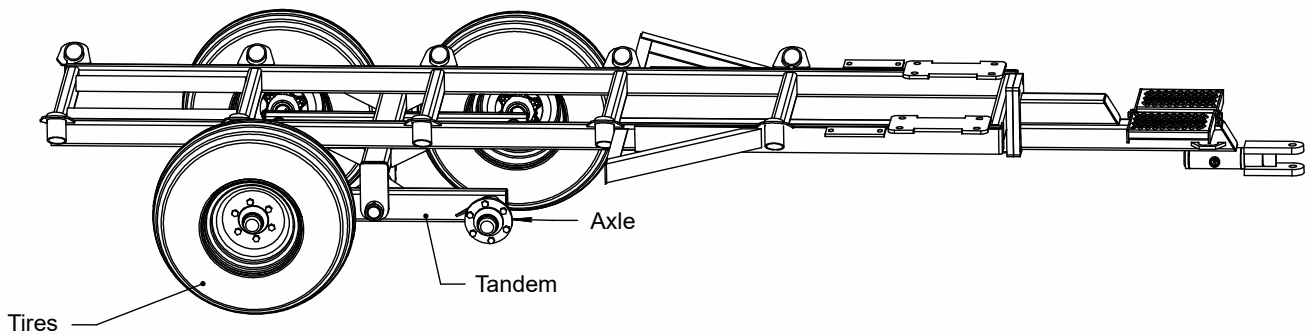
Part no. 30-030, 30-031, 30-035, 30-036, 30-040, 30-041

PARTS LIST- FORESTRYTRAILER

ITEM	PART NO.	DESCRIPTION	10-66 P/N:	10-66 HV P/	10-66 LP HV	10-66 LP HV	10-78 HV P/	10-78 HV P/
			30-030	N: 30-031	P/N: 30-035	P/N: 30-036	N: 30-040	N: 30-041
			QTY	QTY	QTY	QTY	QTY	QTY
1	302010	Agricultural tire 11L-15, 8 ply, 6 nuts	4	-	4	-	-	-
2	302020	Agricultural tire 12.5L 15, 10 ply, 6 nuts	-	4	-	4	4	-
3	302030	Agricultural tire 12.5L 15, 12 ply, 8 nuts	-	-	-	-	-	-
4	302060	Tire 385-65-22.5, 20 ply, 8 nuts	-	-	-	-	-	-
5	302070	Tire 400-60-15.5, 18 ply, 8 nuts	-	-	-	-	-	4
6	303020	Trailer wind jack, 6000 lbss	1	1	-	-	1	1
7	30-030-02	Post	8	8	-	-	-	-
8	30-035-04	Post	-	-	8	8	-	-
9	30-040-02	Post	-	-	-	-	8	8
10	59-000-07	Post	-	-	-	-	-	-
11	30-030-03	Trailer grill 60 1/8" wide x 37 15/16" high	1	1	-	-	-	-
12	30-035-03	Trailer grill 59 7/8" wide x 26 15/16" high	-	-	1	1	-	-
13	30-040-03	Trailer grill 66 3/8" wide x 37 15/16" high	-	-	-	-	1	1
14	30-050-03	Trailer grill 76 3/8" wide x 39 15/16" high	-	-	-	-	-	-
15	59-024-03	Tandem axle	-	-	-	-	2	-
16	59-026-03	Tandem axle	2	2	2	2	-	-
17	59-081-02	Tandem axle	-	-	-	-	-	-
18	59-082-07	Tandem axle	-	-	-	-	-	2
19	300060	Bolt 1/2"-13 x 3 1/2" long	2	2	2	2	2	2
20	300820	Bolt 5/8"-11 x 2" long	4	4	4	4	4	4
21	301510	Nylon nut 1/2"-13	2	2	2	2	2	2
22	301570	Nylon nut 5/8"-11	4	4	4	4	4	4
23	301360	Flat washer 5/8"	8	8	8	8	8	8
24	201050	Shaft 1 15/16" O.D.	2	2	2	2	2	2



Forestry Trailer (Older models)



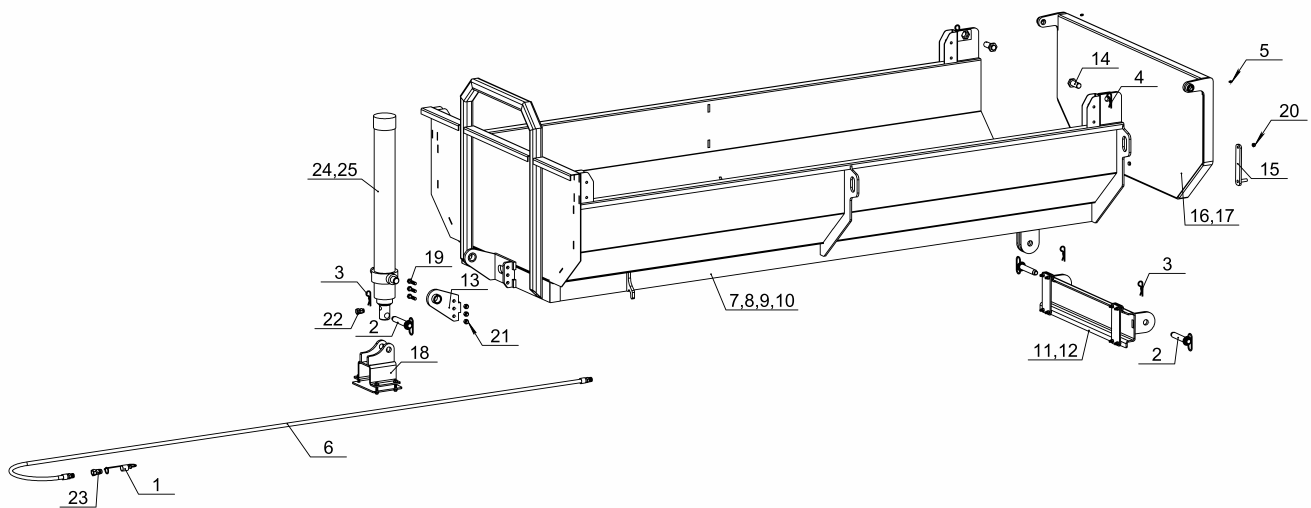
PARTS LIST - FORESTRY TRAILERS (OLDER MODELS)

TRAILER MODEL	PART NO.	TANDEM ASSEMBLY	AXLE	TIRES
11-74	59-013	59-024-03	5000 lbss	12.5L15
11-74	59-150	59-081-02	8000 lbss	385-65-22.5
11-74	59-151	59-082-07	8000 lbss	400-60-15.5
13-78	59-014	59-024-03	5000 lbs	12.5L15
13-78	59-125	59-082-07	8000 lbs	12.5L15
13-78	59-161	59-082-07	8000 lbs	400-60-15.5
13-78	59-081	59-081-02	8000 lbs	16.5L16.1
13-78	59-162	59-081-02	8000 lbs	385-65-22.5
14-80	59-015	59-082-07	8000 lbs	12.5L15
14-80	59-163	59-082-07	8000 lbs	400-60-15.5
14-80	59-079	59-081-02	8000 lbs	16.5L6.1
14-80	59-164	59-081-02	8000 lbs	385-65-22.5



Gravel Bin assembly

Part no. 31-030, 31-040, 31-050, 31-060



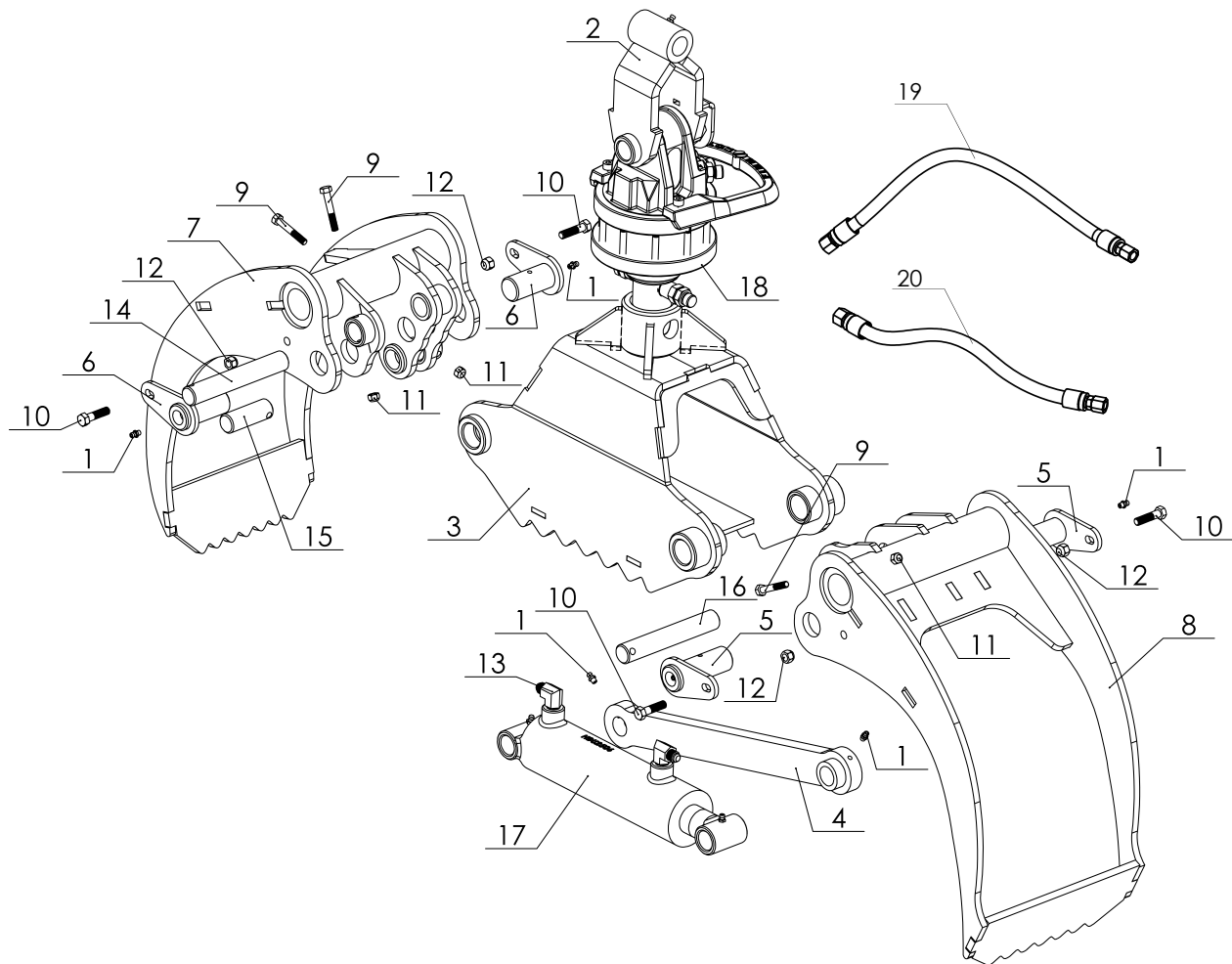


Gravel Bin assembly

Part no. 31-030, 31-040, 31-050, 31-060

PARTS LIST - GRAVEL BIN ASSEMBLY

ITEM	PART NO.	DESCRIPTION	10' BIN	10' BIN WITH	12' BIN	12' BIN WITH
			FOR 10-78 HV TRAILER P/N: 31-030	CYLINDER FOR 10-78 HV TRAILER P/N: 31-040	FOR 12-86 HV TRAILER P/N: 31-050	CYLINDER FOR 12-86 HV TRAILER P/N: 31-060
			QTY	QTY	QTY	QTY
1	140000	Dust caps 1/2", red	-	1	-	1
2	310830	Quick release pin 1" x 4 3/4" long	2	3	2	3
3	310833	Cotter Pin 5/32 x 2 3/4" long	2	3	2	3
4	310832	Cotter Pin 3"	2	2	2	2
5	310020	Grease fitting 1/4"-28	2	4	2	4
6	140030-144- 101740-101740	Hose assembly 3/8" - 144" long	-	1	-	1
7	31-030-01	Gravel bin for 10-78 HV trailer	1	-	-	-
8	31-040-01	Gravel bin with cylinder for 10-78 HV trailer	-	1	-	-
9	31-050-01	Gravel bin for 12-86 HV trailer	-	-	1	-
10	31-060-01	Gravel bin with cylinder for 12-86 HV trailer	-	-	-	1
11	31-000-02	Rear hinge 12-86 HV	-	-	1	1
12	31-000-03	Rear hinge 10-78 HV	1	1	-	-
13	49-001-03	Removable cylinder mounting plate	-	1	-	1
14	59-035-08	Pin	2	2	2	2
15	59-064-03	Handle	1	1	1	1
16	59-064-06	Rear panel 30"	1	1	-	-
17	59-068-04	Rear panel 36"	-	-	1	1
18	59-000-38	Cylinder mount ear assembly	-	1	-	1
19	300030	Bolt 1/2"-13 x 2" long	-	3	-	3
20	301550	Nylon nut 3/8"-16	1	1	1	1
21	301510	Nylon nut 1/2"-13	-	3	-	3
22	103500	Hydraulic fitting 9315 Male ORB - Female NPT Swivel Plug	-	1	-	1
23	109010	Quick Coupling Male x Female 1/2"-NPT	-	1	-	1
24	121110	Telescopic cylinder 90" stroke	-	1	-	-
25	121120	Telescopic cylinder, 108" stroke	-	-	-	1

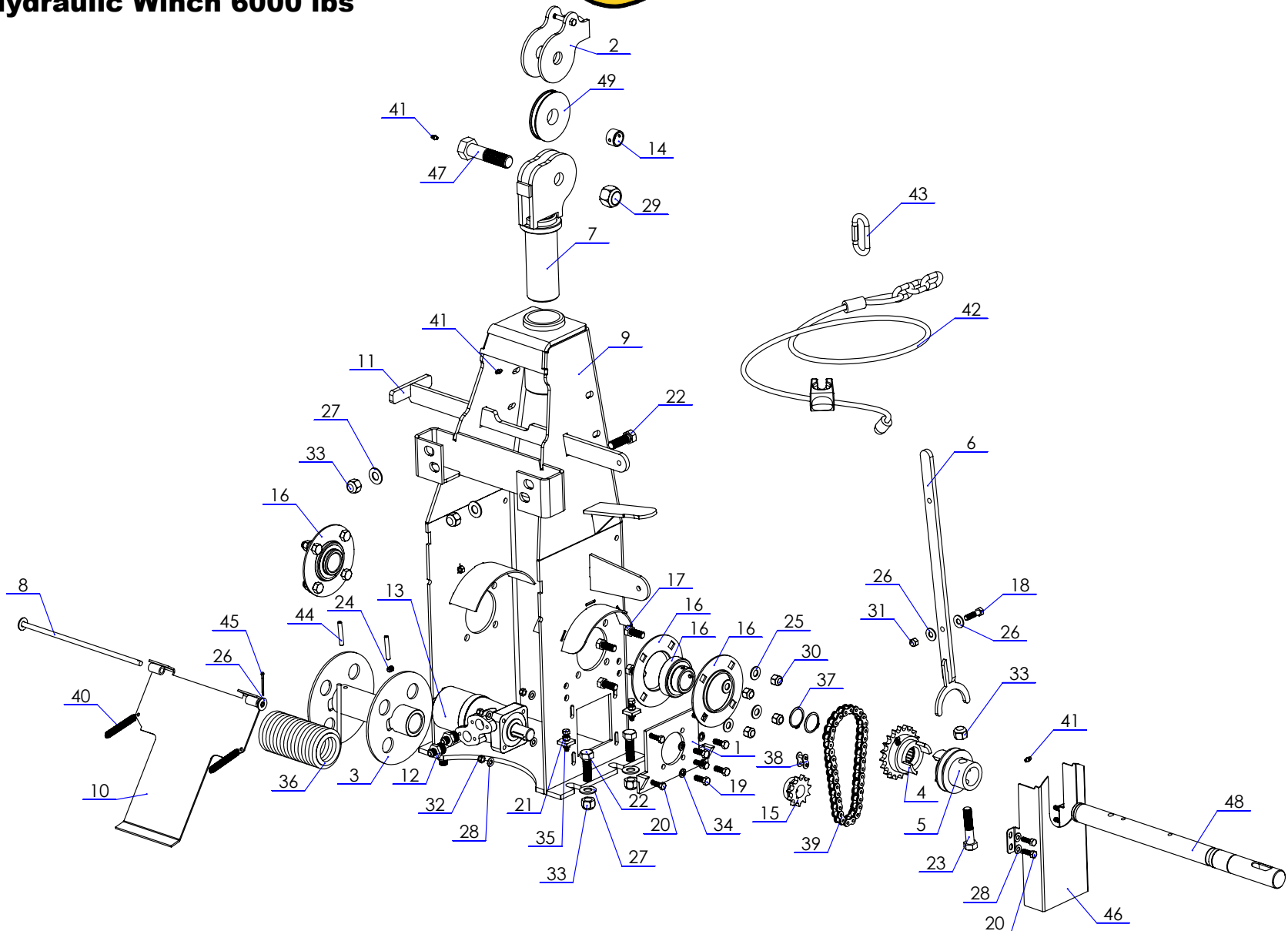


Part list - Grapple 36"

No.	Part #	Description	Qty
1	310020	Grease nipple right 1/4"-28	6
2	57-022-06	Grappler link 36" (Welding assembly)	1
3	57-022-01	Frame pince 36" Hardox	1
4	57-020-03	Retraction arm 36" Hardox	1
5	57-020-04	Assembly pine pivot for clamp	2
6	57-020-05	Assembly pine pivot for clamp	2
7	57-020-14	Interior clamp 36" Hardox	1
8	57-020-15	Exterior clamp 36" Hardox	1
9	300730	Bolt 5/16"-18 x 2" Lenght	3
10	300520	Bolt 3/8"-16 x 1 1/2" Lenght	4
11	301560	Nylon nut 5/16"-18	3
12	301550	Nylon nut 3/8"-16	4
13	100900	Serie 5405 - Elbow 90° - Male JIC 37° - Male NPT - 9/16" x 3/8"	2
14	57-022-017	Pivot shaft	1
15	57-022-026	Pivot shaft	1
16	57-020-027	Pivot shaft	1
17	120270	Hydraulic cylinder 2 1/2" Dia. x 6" Stroke	1
18	199309	Rotor CR-300	1
19	140030-022-101820-102200	Assembly hoses 3/8" - 22" Lenght	1
20	140030-018-101820-102200	Assembly hoses 3/8" - 18" Lenght	1



Hydraulic Winch 6000 lbs



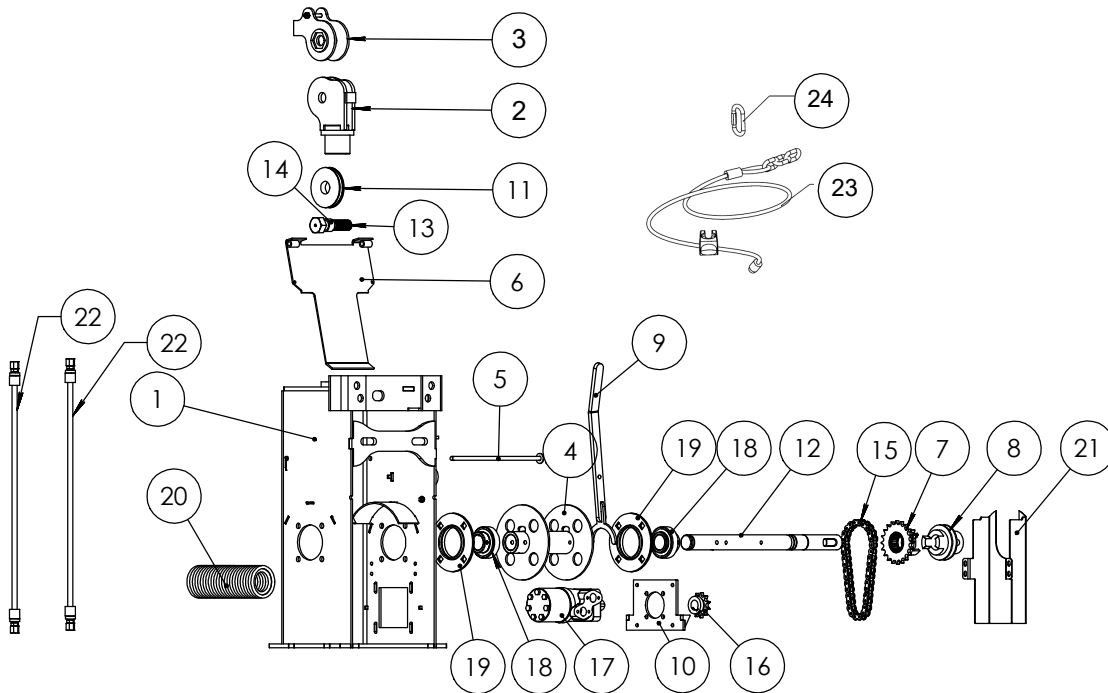


Hydraulic Winch 6000 lbs Part list

No.	Part #	Description	Qty.
1	58-000-01	Motor assembly support	1
2	58-000-04	Swivel wire guide	1
3	58-000-05	Wire drum	1
4	58-000-06	Jaw and sprocket assembly	1
5	58-000-07	Jaw clutch	1
6	58-000-08	Fork clutch	1
7	58-007-02	Swivel wire guide	1
8	58-007-03	Wire pin tensioner	1
9	58-007-04	Winch casing	1
10	58-007-05	Wire tensioner	1
11	58-013-08	Winch release handle	1
12	102710	Hydraulic fitting 3/8" - JIC Male x 7/8" - ORB Male	2
13	108070	Hydraulic motor 315cc	1
14	111000	Bushing 1 x .75	1
15	150010	Sprocket	1
16	150151	Bearing flange UCPF 208-24 WOODBPFUC150 (duo) WINCH	2
17	300020	Bolt 1/2"-13 x 1 1/4" long	8
18	300520	Bolt 3/8"-16 x 1 1/2" long	1
19	300560	Bolt 3/8"-16 x 3/4" long	4
20	300700	Bolt 5/16"-18 x 1" long	8
21	300710	Bolt 5/16"-18 x 1 1/2" long	2
22	300820	Bolt 5/8"-11 x 2" long	6
23	300840	Bolt 5/8"-11 x 3" long	1
24	301220	Socket head cap screw 3/8" dia. x 1/2" long	1
25	301310	Flat washer 1/2"	8
26	301350	Flat washer 3/8"	3
27	301360	Flat washer 5/8"	6
28	301390	Flat washer 5/16"	8
29	301500	Nylon nut 1"-8	1
30	301510	Nylon nut 1/2"-13	8
31	301550	Nylon nut 3/8"-16	1
32	301560	Nylon nut 5/16"-18	4
33	301570	Nylon nut 5/8"-11	7
34	301730	Lock nut 3/8"	4
35	301850	Hex nut 5/16"-18	4
36	304010	Cable 5/16" x 110' long	1
37	307036	Snap-Ring 1 1/2"	2
38	308910	Chain link #50	1
39	309080	Chain assembly #50 - 36	1
40	309200	Extension spring	2
41	310020	Grease fitting 1/4"-28	3
42	310720	Log choker	1
43	310725	Quick link	1
44	310880	Spring pin 5/16" O.D. x 2"	2
45	310881	Cotter pin 1/8 x 1- 1/4	1
46	58-007-018	Winch guard	1
47	58-000-006	Bolt	1
48	58-000-020	Shaft 36"	1
49	58-000-024	Cable pulley	1



6000 lbs Hydraulic Winch Part List

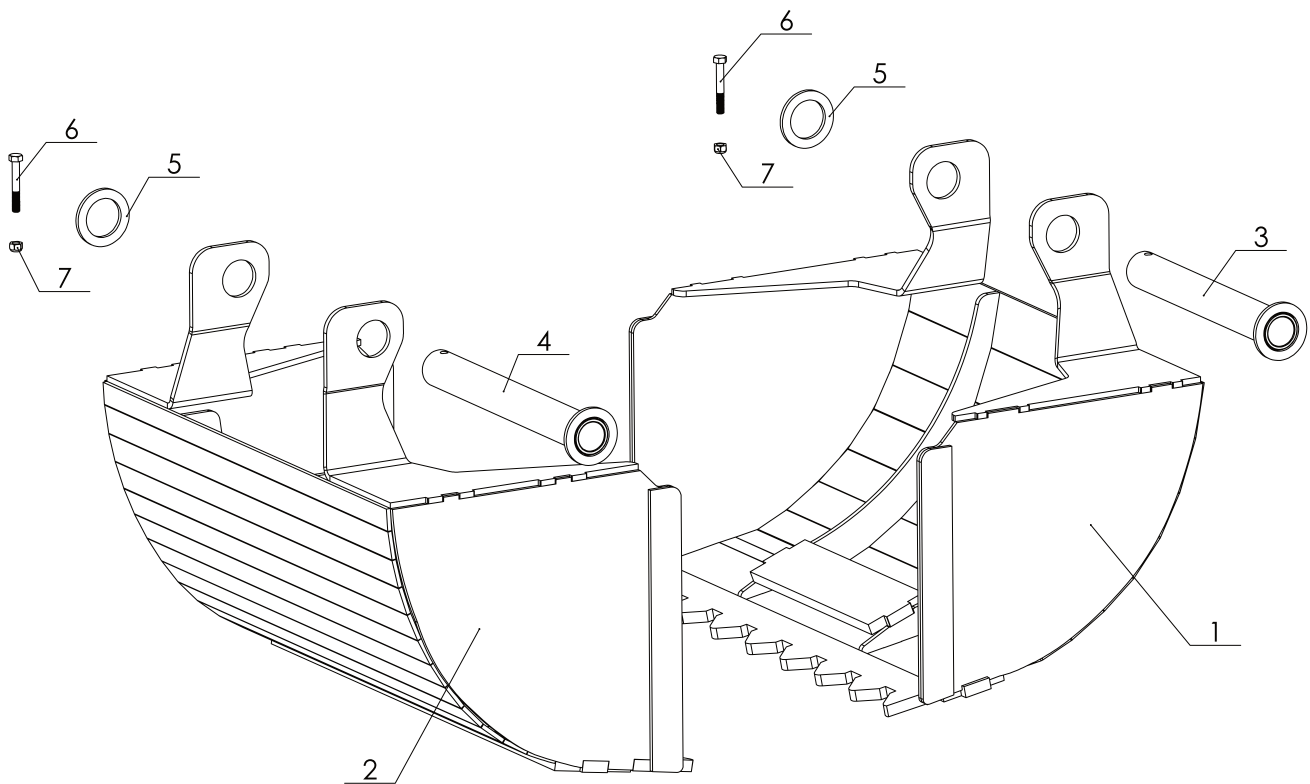


6000 lbs Hydraulic Winch Part list

Item	Part #	Description	Qty
1	58-013-01	26" Winch housing	1
2	58-013-04	Winch head	1
3	58-000-04	Swivel head fixation - Large, Medium, Small	1
4	58-000-05	Winch roller - Large, Medium	1
5	58-007-03	Cable tensioner pin	1
6	58-007-05	Winch tensioner - Large, Medium	1
7	58-000-06	Winch fixed clutch - Large, Medium, Small	1
8	58-000-07	Winch mobile clutch - Large, Medium, Small	1
9	58-000-08	Clutch arm - Large, Medium	1
10	58-000-01	Winch motor support - Large, Medium	1
11	58-000-024	Modified pulley	1
12	58-000-020	36" Winch roller axis	1
13	58-000-006	Modified bolt	1
14	Bush plast 1 1/4 ext x 1 int	Plastic tubing 1 1/4" O.D.	1
15	1RIV 50	Chain series #50 - 36 rollers	1
16	150010	Gear wheel #50-11 teeth heavy-duty	1
17	108070	Hydraulic motor 315 cc	1
18	150040	Bearing insert	2
19	150151	Flange bearing	2
20	304010	Nylon cable 5/16" x 110' long	2
21	58-005-011	Winch protector	1
22	140030-055-101820-101820	Hydraulic hose	2
23	310720	Logging choker	1
24	310725	Quick link	1

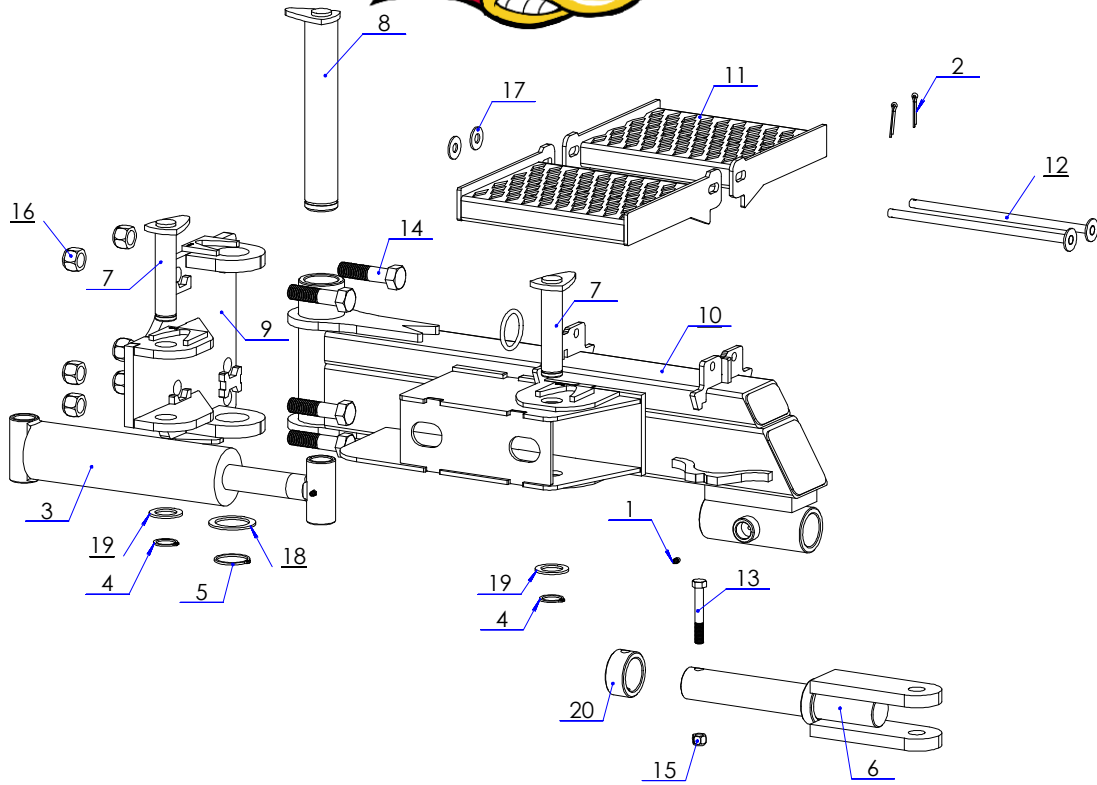


Dipper Dredger 24" for Grapple 36"
Piece No. 57-025



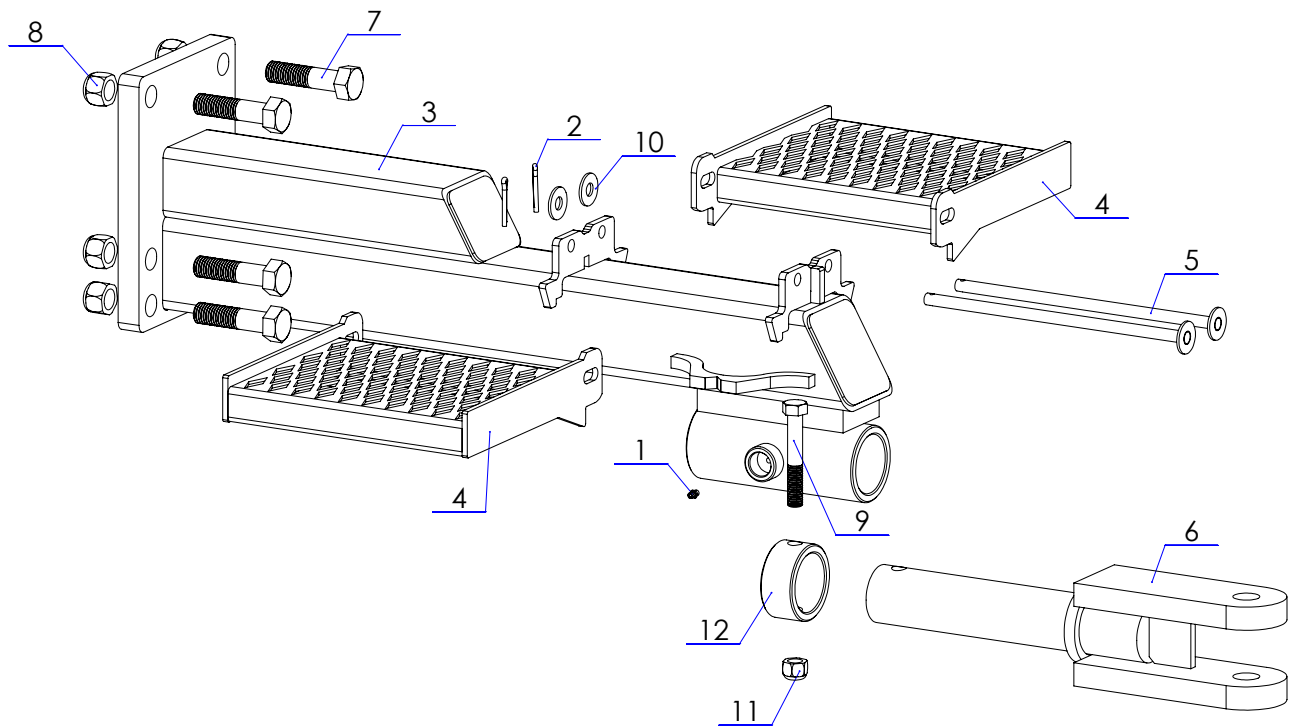
PART LIST - ASSEMBLY DIPPER DREDGER 24" FOR GRAPPLE 36", PIECE NO. 57-025

ITEM	PART NO.	DESCRIPTION	QTY
1	57-025-01	Dipper Dredger 24" for Grapple 36" Narrow claw	1
2	57-025-02	Dipper Dredger 24" for Grapple 36" Wide claw	1
3	57-025-03	Small claw pin	1
4	57-025-04	Large claw pin	1
5	57-025-022	Washer	2
6	301560	Nylon nut 5/16"-18	2
7	300730	Bolt 5/16"-18 x 2" long	2



Part list Small hydraulic drawbar

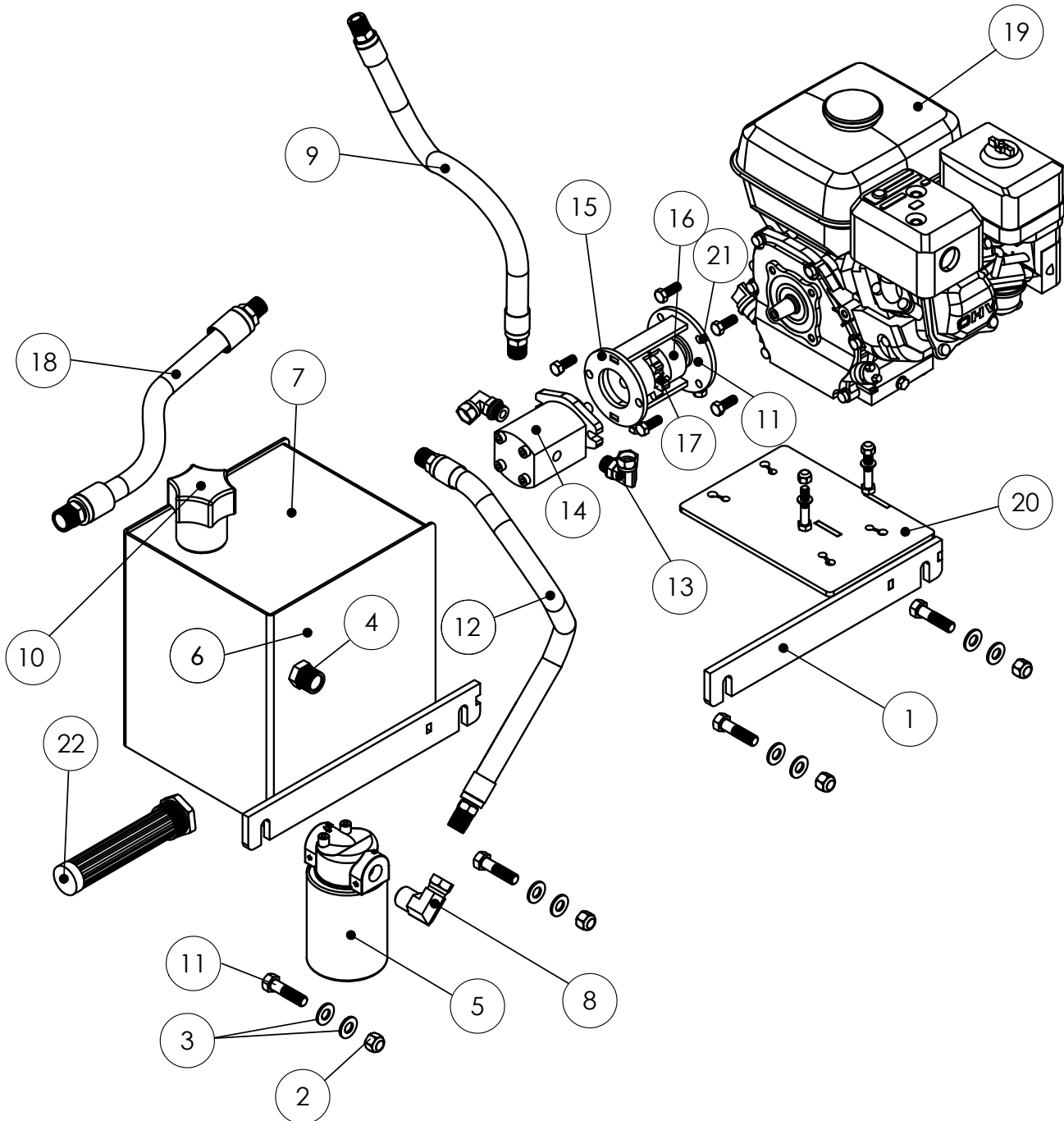
No.	Part No.	Description	Qty.
1	310020	Grease nipple right 1/4"-28	2
2	310881	Split pin	2
3	120443	Hydraulic cylinder 3" Dia. x 8" Stroke	1
4	307063	Snap-Ring 1 1/4" Thick	2
5	307075	Snap-Ring 2" Heavy	1
6	59-020-05	Agricultural trailer coupling	1
7	59-076-04	Cylinder pin	2
8	59-076-08	Pivot cylinder	1
9	59-076-15	Simple pivoting cylinder drive	1
10	59-076-27	Guide frame small single cylinder	1
11	59-076-36	Stair tread metal sheet 9.5	2
12	59-076-74	Foot Step Pivot Assembly	2
13	300060	Bolt 1/2"-13 x 3 1/2" Length	1
14	301020	Bolt 7/8"-9 x 3 1/2" Length	6
15	301510	Nylon nut 1/2"-13	1
16	301590	Nylon nut 7/8"-9	6
17	301310	Flat Washer 1/2" Broad	2
18	59-076-034	Washer	1
19	59-076-035	Washer	2
20	59-076-105	Pole Bar Lock (shaft 1 15/16")	1



Parts List Medium pole removable

No.	# de pièce	Nom	Qté
1	310020	Grease nipple right 1/4"-28	2
2	310881	Split pin 1/8 x 1- 1/4	2
3	59-076-30	Assembly medium pole	1
4	59-076-36	Stair tread metal sheet 9.5	2
5	59-076-74	Foot Step Pivot Assembly	1
6	59-003-08	Agricultural trailer coupling	1
7	301020	Bolt 7/8"-9 x 3 1/2" Lenght	2
8	301590	Nylon nut 7/8"-9	1
9	300860	Bolt 5/8"-11 x 4" Lenght	1
10	301310	Flat Washer 1/2" Broad	1
11	301570	Nylon nut 5/8"-11	2
12	59-114-123	Hub 3 1/4" O.D. x .375" (2.500" I.D.)	2

Caractéristique Unité GX 160 Hydraulique



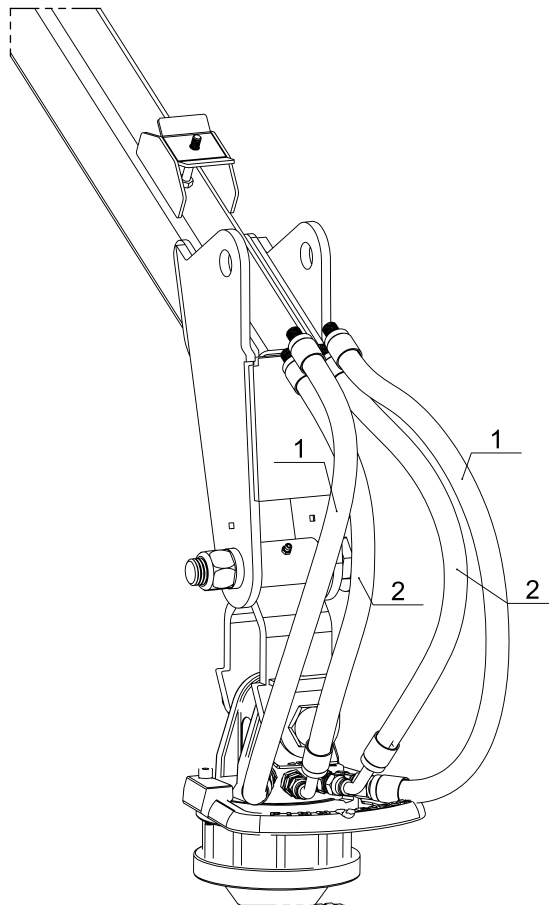


**Hydraulic power unit GX 160 5.5 HP 3.2 GPM
Part list**

Item	Part #	Description	Qty
1	53-001-01	Tank / Engine Support	1
2	BLN-08-13	Lock nut 1/2"-13	1
3	BW5000EA	Flat washer 1/2" narrow	1
4	3109-12-08	Adapter Male 3/4"-14 female 1/2"-14	1
5	CP-750-10P	Filter Oil Head CP-750-10P	1
6	53-001-030	Oil container	1
7	53-001-029	Oil container lateral	1
8	9405-08-12	Elbow 90° NPSM Fem SWI x NPT Male - 1/2" x 3-4"	1
9	140040-020-101700-101700	Hose 1/2 x 20" Long-NPT male 1/2, NPT male 1/2	1
10	190000	Plug HYC-80-40-AS-WH1	4
11	300030	Bolt 1/2"-13 x 2" Lenght	2
12	140040-021-101700-101700	Hydraulic Hose 1/2"	1
13	9515-08-06	Elbow 90° Male ORB Adjustable 1/2" - Female NPSM Swivel 3/8"	2
14	Pompe Galtech SPA 3.2	Pump Galtech SPA 3.2	1
15	Belt housing	Belt housing	1
16	Jaw coupling 5	Lovejoy 1/2 L095	1
17	BLN-06-16	Lock nut 3/8"-16	1
18	140080-012-101731-101730	Hose 3/4 x 12 1/2" Long-NPT male 1/2, NPT male 3/4	1
19	GX160 Light	Engine Honda GX 160	1
20	53-001-012	Engine Support	1
21	Belt housing	Belt housing	1
22	190020	Filter Suction LTM -10-100	1

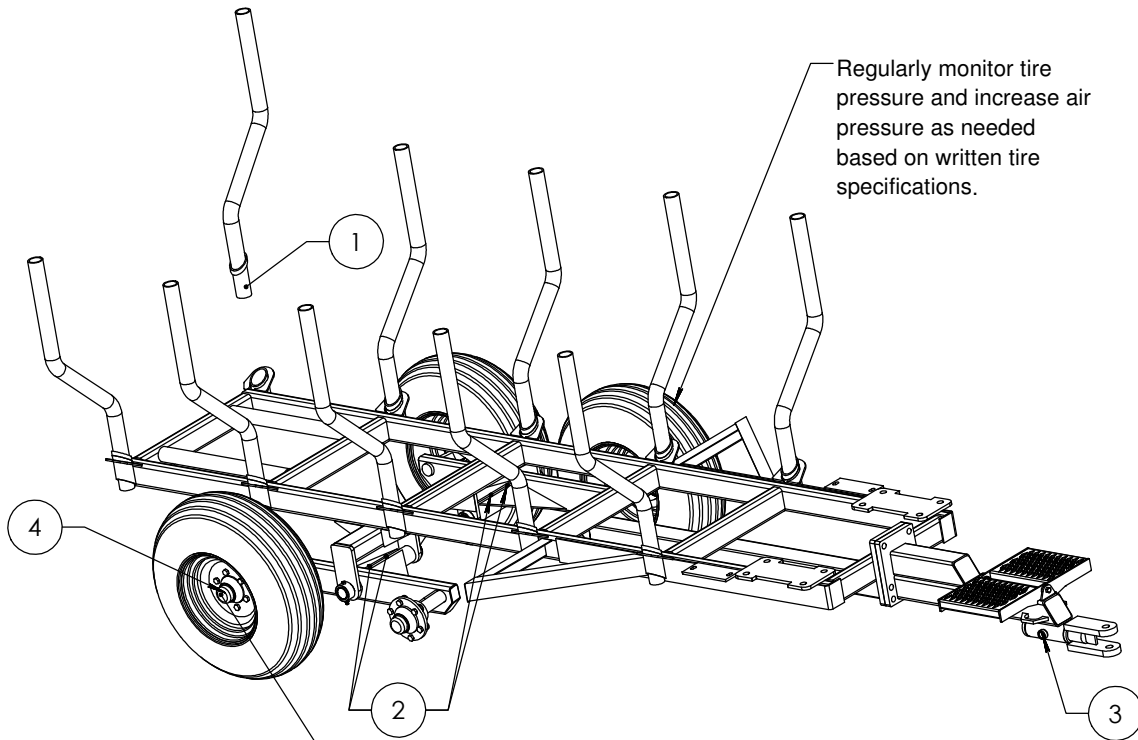


**Hydraulic hoses
Part no. 60-021**



PARTS LIST - HYDRAULIC HOSES, PART NO. 60-021

ITEM	PART NO.	DESCRIPTION	QTY
1	140030-020-102200-102300	Hydraulic hose assembly 3/8" x 20" - M20813-06-06 - M10510-06-06	2
2	140030-020-100300-102300	Hydraulic hose assembly 3/8" x 20" - M20843-06-06 - M10510-06-06	2



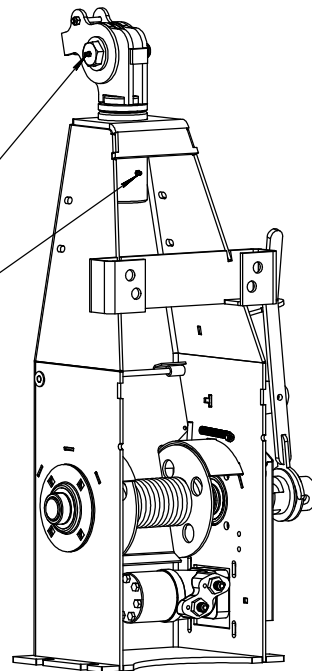
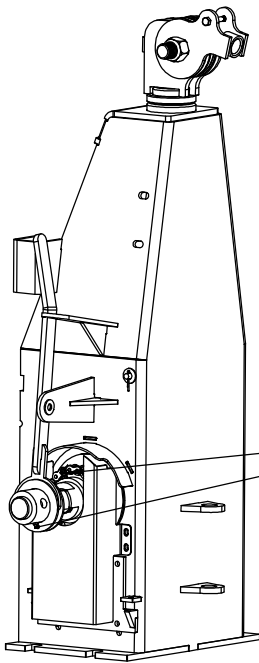
Regularly monitor tire pressure and increase air pressure as needed based on written tire specifications.

By prevention, remove the cap once a year, tighten the castellated nut, fill the cap with grease and replace the cap!

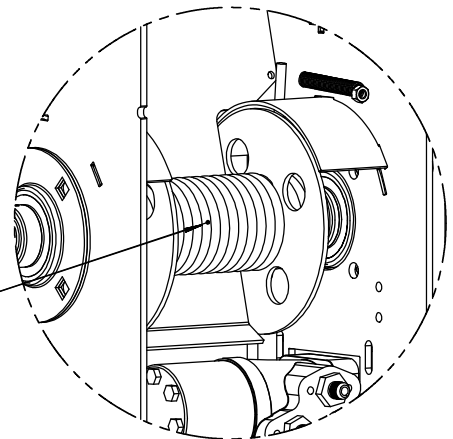
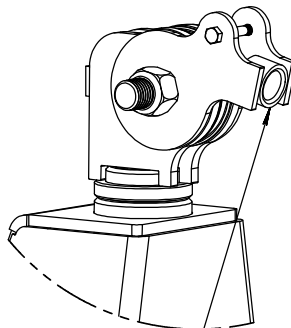
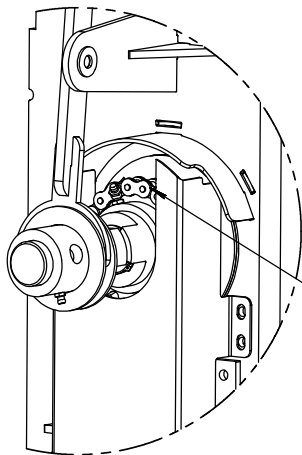
Item	Greasing point	Lubricating oil	Greasing Interval hourly / yearly
1	Posts	Bushing grease	Once a year, generously
2	Tandem pin	Bushing grease	10 hours
3	Hitch pin	Bushing grease	10 hours
4	Hub/bearing	Bearing grease	50 hours



Maintenance and safety instructions for proper use of the 6000 lbs hydraulic winch



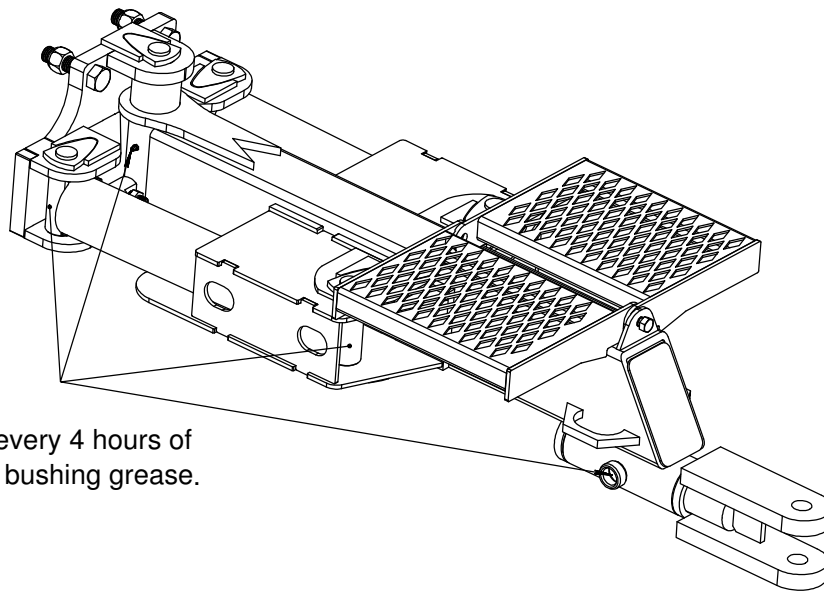
Grease every 4 hours of use with bushing grease.



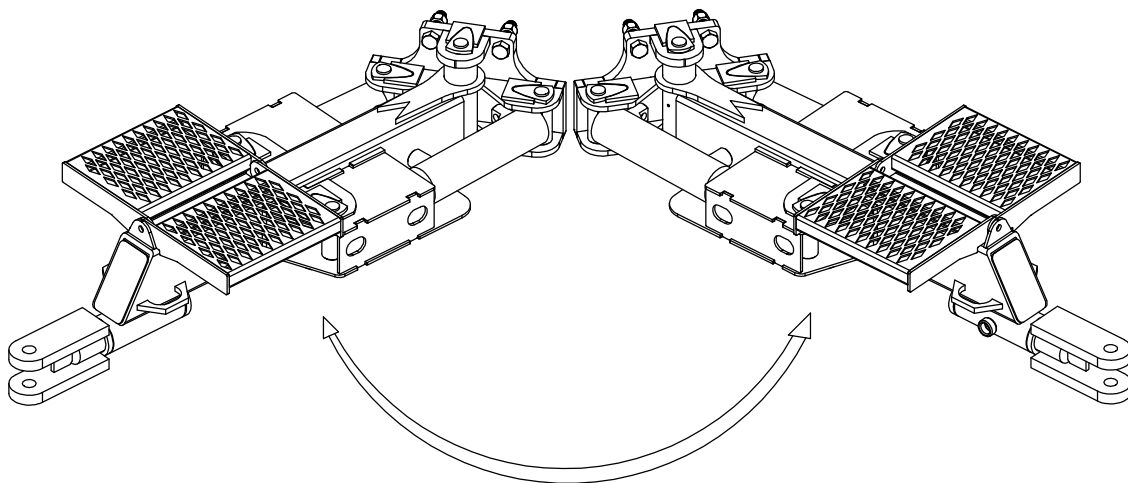
Caution: Risk of crushing your finger or hand and could even lead to death!!!



Maintenance and safety instructions
for proper use of a single drawbar
(Image for illustrative purposes only)



Grease every 4 hours of
use with bushing grease.



Make sure that no one is standing in
the perimeter and also make sure no
one is standing on the step!



Operation

General safety rules:

Read this instruction manual carefully before starting the loader. The technical data in this manual contains important information. Improper use can result in injury and damage to the machine .

Using a loader requires increased knowledge and experience. You must learn and know the behavior of the loader and practice using it. Study and practice the movement patterns with small loads until you master the machine completely. Stop all operations immediately if any bystanders enter the work zone (20 m).

Woody loaders are intended for normal use in the agricultural and forestry sectors. They must be used only by persons trained in the handling of this type of machinery.

. Before connecting the loader to the tractor's hydraulic system, you must read the tractor's instruction manual to ensure proper connections.

. Be extremely careful when connecting the loader to the tractor or the trailer to the tractor, as well as when detaching it.

. When operating, make sure everyone remains in the safety zone, outside of the loader risk area. The operator must have full visibility of the work zone.

. When operating, do not insert your hand or any other part of your body into the machine or under the load. Do not risk getting stuck between the different parts of the log loader or between the tractor and the trailer.

. Do not forget to raise the stabilizers before moving the equipment.

. When loading, always engage the tractor handbrake.

. Never leave the boom in a raised position without having control of the loader.

. Never use the loader to pull, push or hit.

. Be particularly careful when loading and unloading heavy materials.

. Never use the loading device during transport.

. To stop the machine, lower the loader boom and grapple on a firm surface, turn off the engine, engage the handbrake and remove the key from the ignition to prevent unauthorized use.

. The loader is not intended for lifting people.

. Be very careful when loading or unloading near high voltage lines. Keep a safe distance from live cables.



Safety Instructions

If the overload protection of the hydraulic system is not properly adjusted or certain system functions are altered, safety cannot be ensured.

- . Always lower the hydraulic stabilizers before each operation to avoid overturning.
- . Always check that any unauthorized personnel remains outside the work risk area.
- . Never stand under a suspended load.
- . Make sure that the tractor and trailer are always on firm ground so that there is no risk of overturning. When loading, use the stabilizers to prevent tilting of the loader.
- . Make sure you always have a visual view of the work area.
- . Do not work in conditions where you may get your fingers caught or hurt yourself.

When there is a risk of overturning, immediately lower the stick boom with the control lever.

- . Hold the lever in this position until the load is on the ground. Do not interrupt the lowering movement as the risk of overturning will increase if the load stops abruptly.
- . If the tractor rolls over, follow the instructions in the cab. Do not jump out of the cab. You could end up under the load during a fall or under the tractor.

Note: Even if the stabilizers have been lowered to the ground, the risk of overturning is greater when the trailer is empty or partially loaded.

Cracks in hydraulic hoses

- . In the event of pressure loss in the hydraulic fluid or cracks in the hydraulic hoses, you must immediately shut down the tractor engine and lower the load to the ground. Stop the hydraulic flow. Repair the leak.
- . If the main pressure hose between the tractor and the control system is cracked, you must interrupt the oil flow by disconnecting the lever control associated with the tractor's hydraulic distributor or by shutting off the engine with the OFF button.



Safety Instructions

Driving on the Road

Observe the following instructions to avoid any risk of accident.

Position During Transport

- . If there is no load, position the loader boom as low as possible on the trailer. Make sure that the grapple and the rotator are firmly attached to the trailer, so that there is no risk of the loader rolling over during transport
- . Make sure that none of the additional equipment connected to the loader is likely to cause an accident during transport.

Control is Important

- . You must constantly be in control of the machine at all times and in all situations.
- . Check that the "slow vehicle" plate and the reflective signals are correctly positioned. Check if the trailer lights are functioning correctly and check the tire pressure.
- . The total permitted weights (in particular the weight of the axle) and the transport dimensions must never be exceeded.
- . You must adapt your speed to the driving situation. Drive with caution when one side is tilted, as well as on sloping ground. There is a risk of over turning.
- . Respect the laws of the road and applicable regulations.
- . The braking distance of a tractor equipped with a trailer is longer than for other vehicles, beware of the risk of skidding and check for irregularities in the road.
- . Secure the load and other loose parts securely.

Oil and Grease Caution

- . Avoid any oil or grease contact with the skin during maintenance. Wear appropriate protective clothing
- . Never wash your hands with lubricating oil or grease. It may damage your skin. If your skin is irritated after contact with oil or grease, contact a doctor immediately.
- . When servicing, waste oil should be disposed of in accordance with local regulations.



Safety Instructions

Welding Repair

. If a repair or modification requires the welding of certain parts, you must first contact your dealer for necessary instructions. Improper welding or negligence during welding can cause sudden machine breakdowns.

Working in Extreme Conditions

. The recommended ambient temperature for the operation of this machine is between -20°C and $+30^{\circ}\text{C}$. Low or high temperatures result in increased wear and stress on joints and hoses. In addition, steel wears faster, and cracks can occur.

. When working in extreme conditions, reduce loads to prevent damage. In case of low temperature let

it times to soften the joints and hoses before applying full pressure. When it is extremely hot, pay attention to the oil temperature. A temperature above 80°C alters the properties of the oil and damages joints and hoses.

the hydraulic oil circulate freely during several minutes. Then operate each function several times.
Maintenance and Servicing Safety Instructions

. Regular maintenance and service ensure optimal and cost effective operation.

. Note: Failure to follow the instructions in this manual will void all warranties related to this machine. Regular and proper maintenance are a prerequisite for warranty coverage.

. Read the instructions before servicing the machine. Each maintenance task requires reading and following instructions. Maintenance and lubrication should be done at the recommended intervals.

. Always use tools suitable for the maintenance / servicing tasks involved. Wear protective clothing and glasses.

. Shut off the tractor engine and remove the ignition key. If the engine has to run during certain maintenance operations, please stay away from any moving parts of the machine.

. Be extremely careful with pressurized oil. Oil under high pressure easily penetrates the skin. In case of accident, consult a doctor immediately.



Maintenance and Servicing Safety Instructions

- . Hot oil can cause burns. Inhalation of hot oil vapor can cause breathing difficulties.
- . If a hose bursts and you get oil on your skin, it is not dangerous. However, avoid oil contact with eyes and nose. If you get oil in your eyes or in your respiratory tract, contact a doctor immediately.
- . Keep explosive and flammable liquids away from sparks and open flames.

Daily inspections

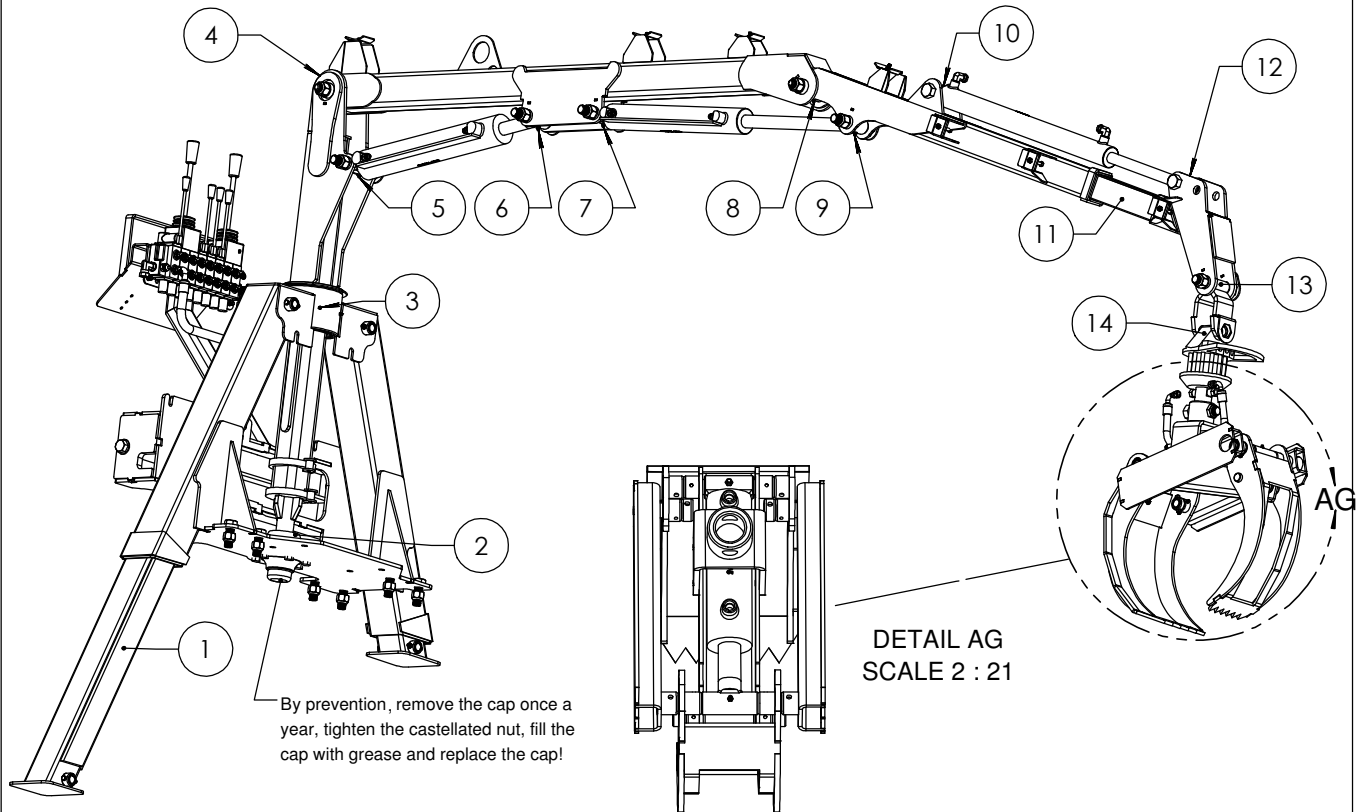
It is important to inspect the equipment daily. If you notice a defect, you must repair it immediately.

- . When under load pressure, worn bolts can provoke a risk of rupture. If cracks are detected on the loader, any operation in progress must be stopped immediately.
- . Damaged hoses must be replaced immediately. Check for leaks. Oil leaks create a risk of accidents and can harm the environment.
- . Check the bolts and tighten the bolts if necessary.
- . Perform the various movement patterns of the loader to verify that all functions are intact and working properly.



Safety Instructions

Greasing points and intervals



ITEM	Greasing point	Lubricating oil	Greasing Interval hourly / yearly
1	Telescopic stabilizers	Bushing grease	Once a year, generously
2	Hub/bearing	Bearing grease	Every 10 hours
3	Rotation	Bushing grease	Every 10 hours
4	Main boom pin	Bushing grease	Every 10 hours
5	Cylinder pin	Bushing grease	Every 10 hours
6	Cylinder pin	Bushing grease	Every 10 hours
7	Cylinder pin	Bushing grease	Every 10 hours
8	Stick boom pin	Bushing grease	Every 10 hours
9	Cylinder pin	Bushing grease	Every 10 hours
10	Cylinder pin	Bushing grease	Once a year
11	Telescopic boom	Bushing grease	Once a year, generously
12	Cylinder pin	Bushing grease	Once a year
13	Grapple yoke pin	Bushing grease	Every 10 hours
14	Rotator pin	Bushing grease	Every 10 hours
15	Grapple greasing points	Bushing grease	Every 5 hours



Safety Instructions

Storage

If you plan to stop using the loader for a long period of time, it should be cleaned carefully. Note that high pressure cleaning is not recommended! After cleaning, make a visual inspection for any cracks (if you find any, you must have them repaired before the next use of the loader) all grease nipples must be lubricated. The grease is used to evacuate water and thus neutralize corrosion and wear.

- . Store the loader under a roof. If this is not possible, cover it with a tarpaulin.
- . Place loader boom and grapple in the transport position.

Note: A stored loader is not a play area for children.



1 YEAR LIMITED WARRANTY

Les Équipements Woody Inc.

Warranty Qualifications

Les Équipements Woody Inc. (hereinafter referred to as "Woody") warrants its Log Loader (hereinafter referred to as the "Product") against defects in material or factory workmanship, subject to all the terms and conditions stated herein.

All Products manufactured by Woody and used for domestic purposes (excluding commercial and industrial use) are covered by a one (1) year warranty applicable from the purchase date, except in particular cases when the warranty might be modified according to adjustments specified on the sales contract.

The warranty extends only to the original purchaser (hereinafter referred to as the "Buyer") of the Product and not to other purchasers or transferees unless agreed to in writing by Woody that the mechanical and electrical components will be free of defects in material and workmanship for the warranty period. The warranty covers all the parts of the new Product, except the hydraulic hoses, the hydraulic fittings and the electrical wires, and includes the labor performed by Woody or by a Woody authorized Dealer (hereinafter referred to as the "Dealer").

Warranty Repair and Replacement Service

All warranted repairs must be performed by Woody or by an authorized Dealer with the written consent of Woody, otherwise the warranty will be voided. Woody reserves the right to either repair or replace, without cost to the buyer any part judged defective on grounds of defective materials or workmanship. It also reserves the right to determine if the defect resulted from lack of maintenance or incorrect or abusive use of the Product.

In the event of any failure caused by a defect in material or in factory workmanship covered by this warranty, the Buyer shall: (1) notify Woody of the nature of the problem without delay; (2) stop using or operating the Product, unless authorized in writing by Woody.

Warranty service shall be performed at the point of purchase of the Product either by Woody or by a Dealer using parts provided by Woody.

If the Product was purchased directly from Woody, the Buyer shall return either the Product or the defective parts "prepaid" to Woody without delay. If Woody deems that the parts are in fact defective, it shall repair or replace the parts and, when the Product is returned to Woody, install them free of charge to the Buyer.

If the Product was purchased from a Dealer, Woody shall provide the replacement parts to the Buyer through the intermediary of the Dealer. The Dealer shall install the parts and return the replaced parts to Woody, "prepaid" by the Buyer, within thirty (30) days of the repairs. The parts and their installation shall be without charge to the Buyer providing that the replaced parts are proven defective to Woody's satisfaction.

In all cases, all costs related to the transportation of parts or of the Product to and from Woody or the Dealer, any premium charged for overtime labor requested by the Buyer or for any service and/or maintenance shall be the sole responsibility of the Buyer.

All parts replaced under the warranty shall remain the property of Woody.

If the Buyer fails to follow any of the above procedures or if the parts are not proven to be defective to Woody's satisfaction, the Buyer shall not benefit from the warranty.



No Dealer Warranty

The Dealer has no authority to make any representation or promise on behalf of Woody, or to modify the terms or limitations of this warranty in any way.

Warranty Exclusions

This warranty does not cover the following:

Product needs periodic parts and service to perform well. This warranty does not cover repair when normal use has exhausted the life of a part or the equipment as a whole or by lack of reasonable and proper maintenance, by lack of proper protection during storage, by failure to follow operating instructions and/or failure to operate the Product according to the specifications outlined by Woody.

This warranty does not apply to damage caused to the Product or machinery by the Buyer or Dealer during installation of the Product or due to improper installation of the Product.

This warranty will not apply to parts and/or labour if this Product is deemed to have been misused, neglected, involved in an accident, abused or defects caused by any alteration or modification of the Product not approved in writing by Woody.

Other Exclusions

This warranty excludes:

- Cosmetic defects such as paint, decals, etc.
- Any damage resulting from overturning the machine.
- Failures due to acts of God and any other major force events beyond Woody's control.
- Problems caused by parts that are not original Woody parts.
- Certain parts are guaranteed by their respective manufacturer.

Limits of Implied Warranty and Consequential Damage

Woody disclaims any obligation to cover any material or personal damages, including loss of time, loss of income use of this Product, replacement rental, freight or any other damages caused by a defective Product or any incidental or consequential claim by anyone from using this Product.

Contact information

Address

Les Équipements Woody Inc.
205 rue Commerciale
Saint-Odilon (QC)
Canada G0S 3A0

www.equipementswoody.com

Parts and Service

T. 418 464-2748
F. 418 464-2746
info@equipementswoody.com