

**Woody Log Loader
Operator's Manual
Models
90 HD - 95 HD - 105 HD**

Woody Equipment Inc., 205 rue Commercial, Saint-Odilon-de-Cranbourne, Quebec, Canada G0S3A0
T. (418) 464-2748 F. (418) 464-2746
Email: ewoody@sogetel.net / Website: www.equipementswoody.com / Facebook: Equipements Woody



Woody Equipment Inc.
Owners: Jerome and Sebastien Labbé

**205 rue Commerciale
Saint-Odilon-de-Cranbourne
Beauce-Nord, Quebec,
Canada G0S 3A0**

**T. (418) 464-2748
F. (418) 464-2746**

**Email: ewoody@sogetel.net
Website: www.equipementswoody.com
Facebook: Les Equipements Woody**

Woody Equipment Inc.

© All Rights Reserved: Woody Equipment Inc. of Saint-Odilon-de-Cranbourne.
No part of this manual may be reproduced in any form without the written permission of Woody Equipment Inc.



Table of Contents

Introduction.....	1
Warning.....	2
Characteristic of the loader 90 HD (recepts models).....	3
Loader 90 HD part list (recepts models).....	4
Characteristic of the loader 90 HD (previous models).....	5
Loader 90 HD part list (previous models).....	6
Characteristic of the loader 90 HD Plus (recepts models).....	7
Loader 90 HD Plus part list (recepts models).....	8
Characteristic of the loader 95 HD (recepts models).....	9
Loader 95 HD part list (recepts models).....	10
Characteristic of the loader 95 HD (previous models).....	11
Loader 95 HD part list (previous models).....	12
Characteristic of the loader 105 HD (recepts models).....	13
Loader 105 HD part list (recepts models).....	14
Characteristic of the loader 105 HD (previous models).....	15
Loader 105 HD part list (previous models).....	16
Model Pinion W-CR-850-SP.....	17
Model Pinion W-CR-900-SP.....	18
Characteristic Valve control.....	19
Charactetistic of the trailer 8-52.....	20
Characteristic of the trailer 8-58.....	21
Characteristic of the trailer 9-58.....	22
Characteristic of Small hydraulic drawbar for 8-58 et 9-58.....	23
Characteristic of Small drawbar single-cylinder dismountable for 8-58 et 9-58.....	24
Characteristic of Small drawbar single joint dismountable for 8-58 et 9-58.....	25
Characteristic of Small drawbar single joint cylinder removable for 8-58 et 9-58.....	26
Characteristic Hydraulic power unit 5.5.....	27-28
Characteristic Hydraulic power unit 5.5.....	29-30
Characteristic 4000 lbs hydraulic winch parts list.....	31-32
Characteristic 4000 lbs hydraulic winch parts list.....	33-34
Characteristic 6000 lbs hydraulic winch parts list.....	35
Characteristic Hidraulic hose.....	36
Characteristic 24" Dipper Dredger for 36" Grapple.....	37
Characteristic grapple 28".....	38
Characteristic gravel bin 7' (Ancien).....	39-40
Characteristic gravel bin 7' (Nouveau).....	41-42
Characteristic gravel bin 8'.....	43-44
Operation.....	45
Safety Instructions.....	46-54
Guarantee.....	55-56



Introduction

Congratulations on your purchase of a Woody Log Loader. Woody Equipment designs and manufactures equipment according to very strict criteria. This equipment is intended for professional use in the agricultural and forestry sectors.

Even if you have experience with this type of product, we recommend that you read these instructions carefully. These instructions contain important information on safety and efficiency and to ensure the validity of the factory guarantee.

Woody Equipment reserves the right to modify and / or improve its equipment and maintenance instructions, as well as to revise data without notice.

Write down the serial number, model number, purchased date, dealer name, and sales representative's name. Keep this information available for ordering parts as well as for any technical assistance or warranty issue.

Serial number	
Model	
Purchased date	
Dealer	
Sales representative	



Warning

The following symbols used in this manual are to warn the operator of the dangers connected to the use of this machinery. Follow the safety instructions to avoid any risk of serious injury or death.

	AVERTISSEMENT
	CHUTE DE LA CHARGE OU DES MÂTS Peut causer de graves blessures ou la mort. Ne jamais déplacer la charge ou les mâts au-dessus du personnel.
	WARNING
	FALLING BOOM OR LOAD Can cause severe injuries or death. Do not move boom or load over people.
<small>ALFACOLLAS TUBEL 76L 30 006 20</small>	

	AVERTISSEMENT
	RISQUE D'ÉCRASSEMENT Les stabilisateurs peuvent causer de graves blessures ou la mort. Gardez le personnel éloigné des stabilisateurs.
	WARNING
	CRUSHING HAZARD Stabilisers can cause severe injuries or death. Keep bystanders away from stabiliser zone.
<small>ALFACOLLAS TUBEL 76L 30 006 20</small>	

	AVERTISSEMENT
	MACHINE INSTABLE Toujours opérer la chargeuse avec les stabilisateurs abaissés sur un sol ferme et au niveau. Assurez- vous d'avoir une stabilité adéquate.
	WARNING
	UNSTABLE MACHINE Do not operate loader without lowering the stabilisers on firm level ground and checking for adequate stability.
<small>ALFACOLLAS TUBEL 76L 30 006 20</small>	

	DANGER
	ÉLOIGNEZ-VOUS STAY AWAY
<small>ALFACOLLAS TUBEL 76L 30 006 20</small>	

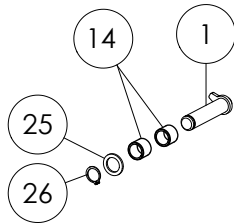
	AVERTISSEMENT
<small>Cet avertissement de cette chargeuse doit être lu et compris avant d'opérer cet équipement. Observez les lois fédérales et provinciales sur les règlements de sécurité concernant les machines à moteur à pétrole. Ne jamais dépasser les recommandations techniques recommandées de la chargeuse ou de l'attachement. Il est important de lire les informations sur les tableaux de spécifications. Informez les autres de la présence de la chargeuse et de la zone de danger, si nécessaire, avant de commencer le travail. Sinon, des blessures ou même la mort peuvent en résulter.</small>	
	WARNING
<small>Any operator of this loader must be fully trained and qualified to do so. Observe all state or provincial safety regulations relating to the particular work being performed. Never exceed recommended technical specifications of the loader or its attachments. Injury, including death, may result from failure to follow this warning and/or the information contained in the loader operator's manual/technical specifications sheet.</small>	
<small>ALFACOLLAS TUBEL 76L 30 006 20</small>	

DANGER 20M ZONE AREA

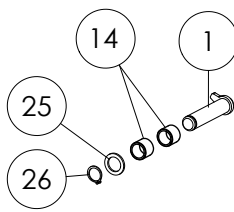


Characteristics of the loader 90-HD

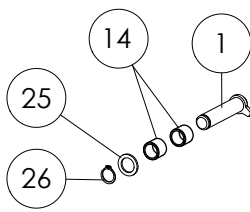
(2021 and recents models)



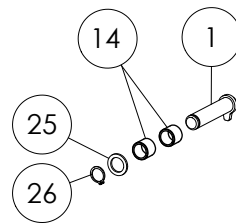
DETAIL A
SCALE 1 : 10



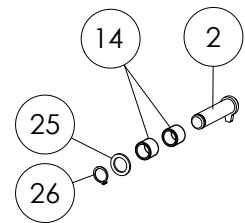
DETAIL B
SCALE 1 : 10



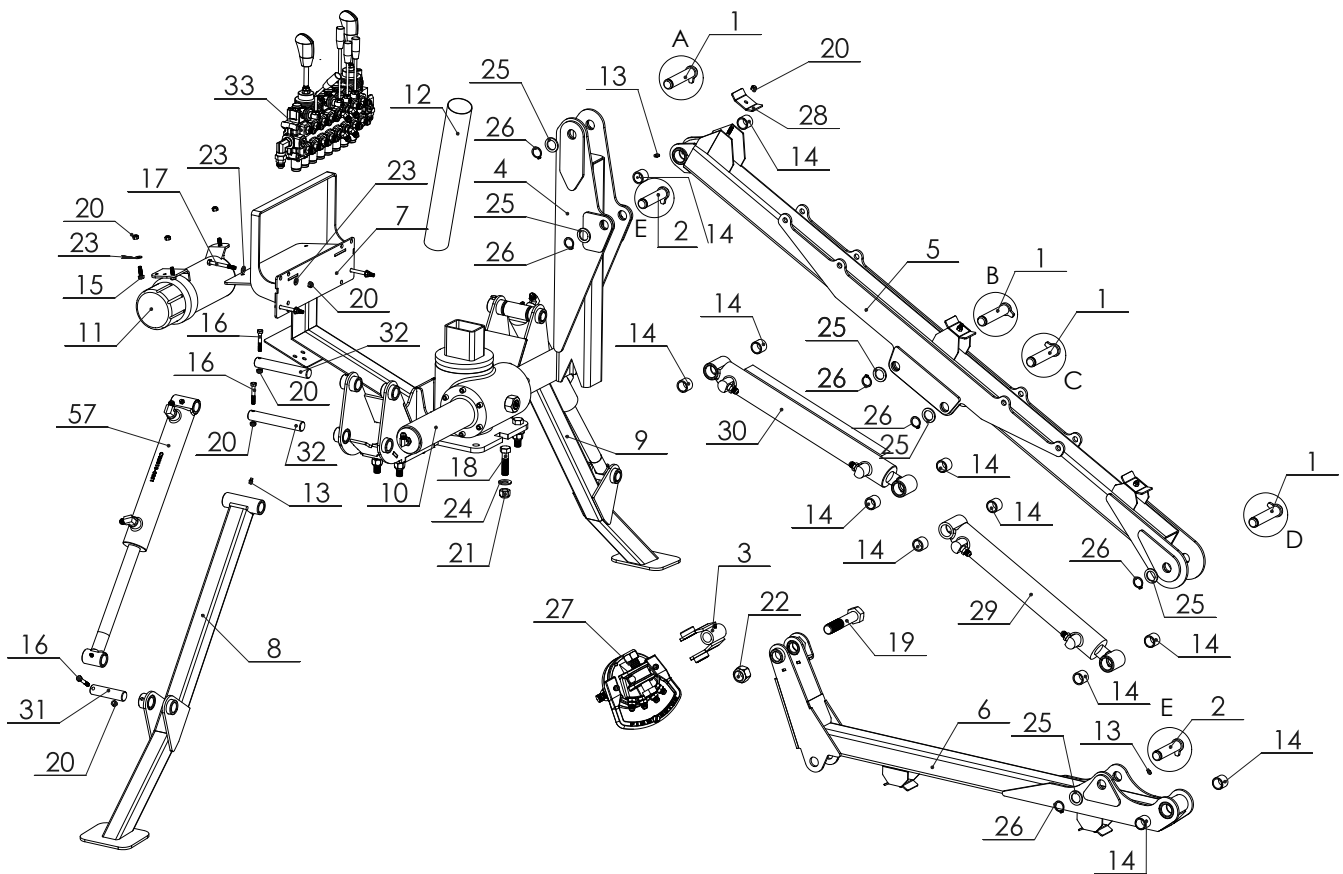
DETAIL C
SCALE 1 : 10



DETAIL D
SCALE 1 : 10



DETAIL E
SCALE 1 : 10





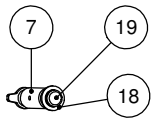
90 HD Loader Parts list

item	Parts #	Description	Qty
1	20-024-03	Cylinder pin long boom	5
2	20-024-07	Cylinder pin long boom	1
3	60-024-03	Link grappler 28" (Welding assembly)	1
4	60-024-04	Main tower 90 HD	1
5	60-024-05	Large boom loader	1
6	60-024-06	Small boom loader 90 HD (STD)	1
7	60-025-15	Hydraulic valve support SALAMI	1
8	60-110-01	Right stabilizer leg	1
9	60-110-02	Left stabilizer leg	1
10	60-110-08	Rack and pinion W-CR-850-SP	1
11	400501	Round document holder for manual 5" x 12 1/2"	1
12	170040	Protective sheath 4 3/4 NHS-296 NS-3908 18"	1
13	310020	Grease nipple right 1/4"-28	4
14	111000	Bushing 1 x 1.25 x 1	12
15	300700	Bolt 5/16"-18 x 1" Length	3
16	300730	Bolt 5/16"-18 x 2" Length	6
17	300750	Bolt 5/16"-18 x 3" Length	3
18	300830	Bolt 5/8"-11 x 2 1/2" Length	8
19	300310	Bolt 1"-8 x 5 Length x 2 1/4" Thread	1
20	301560	Nylon nut 5/16"-18	17
21	301570	Nylon nut 5/8"-11	8
22	301500	Nylon nut 1"-8	1
23	301390	Flat Washer 5/16" Narrow	9
24	301360	Flat Washer 5/8" Narrow	2
25	60-035-022	Washer	6
26	307060	Snap ring 1" heavy duty	6
27	199311-01	Assembly Rotor CR-100+Fittings+bolt+nut	1
28	60-000-060	Pipe lock	5
29	120152	Hydraulic Cylinder 2" Dia. x 14" Stroke	1
30	120162	Hydarulic cylinder 2" Dia. x 16" Stroke	1
31	86-16-62-E06-00	Pin 1" O.D.	2
32	86-16-101-E06-00	Pin 1"	4
33	130260	GA Monoblock valves 8 sections Q25	1
34	120132	Hydraulic Cylinder 2" Dia. x 10" Stroke	2

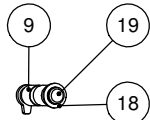


Characteristics of the loader 90-HD

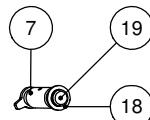
(2020 and previous models)



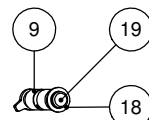
DETAIL G
SCALE 1 : 11



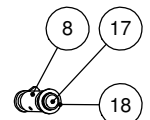
DETAIL F
SCALE 1 : 11



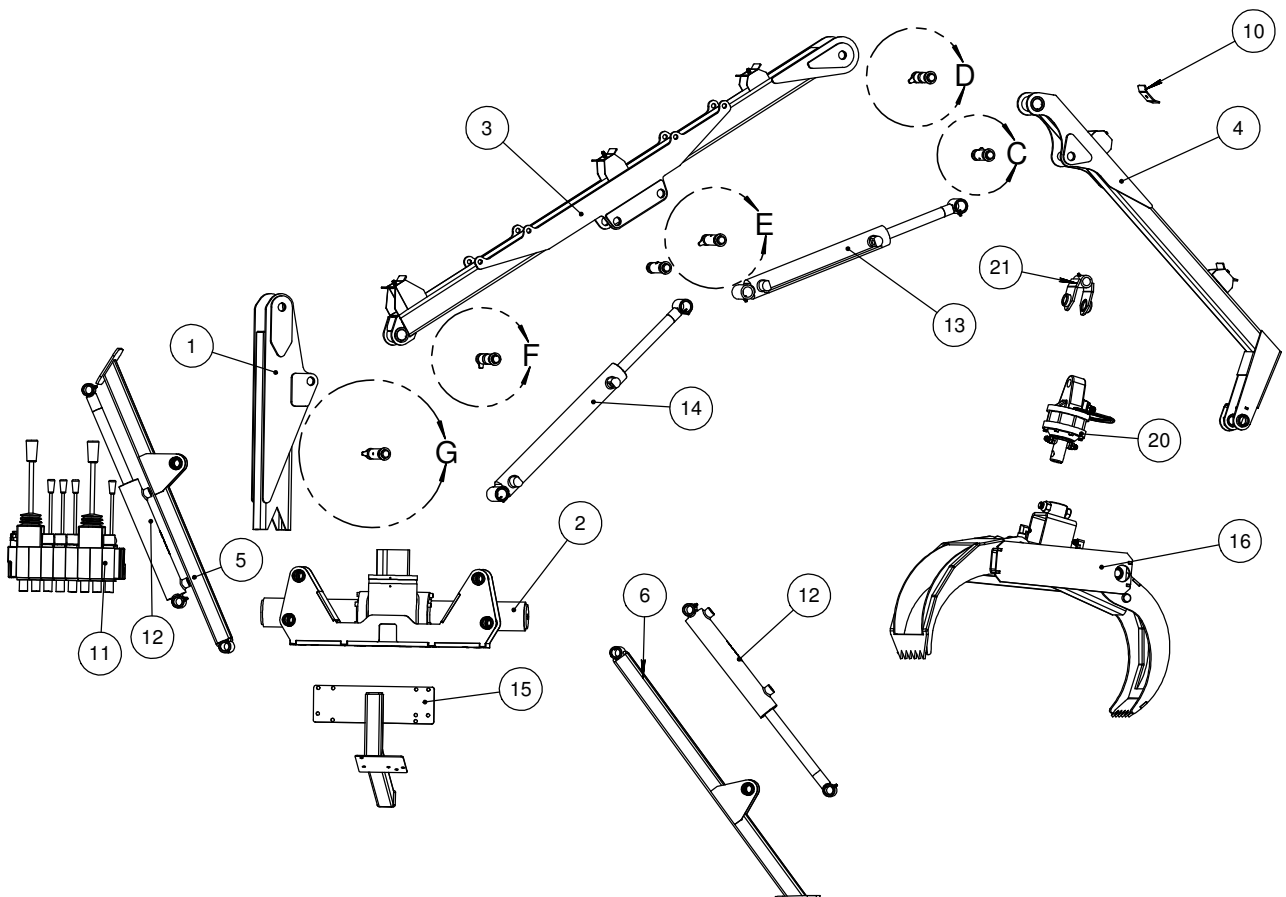
DETAIL E
SCALE 1 : 11



DETAIL D
SCALE 1 : 11



DETAIL C
SCALE 1 : 11





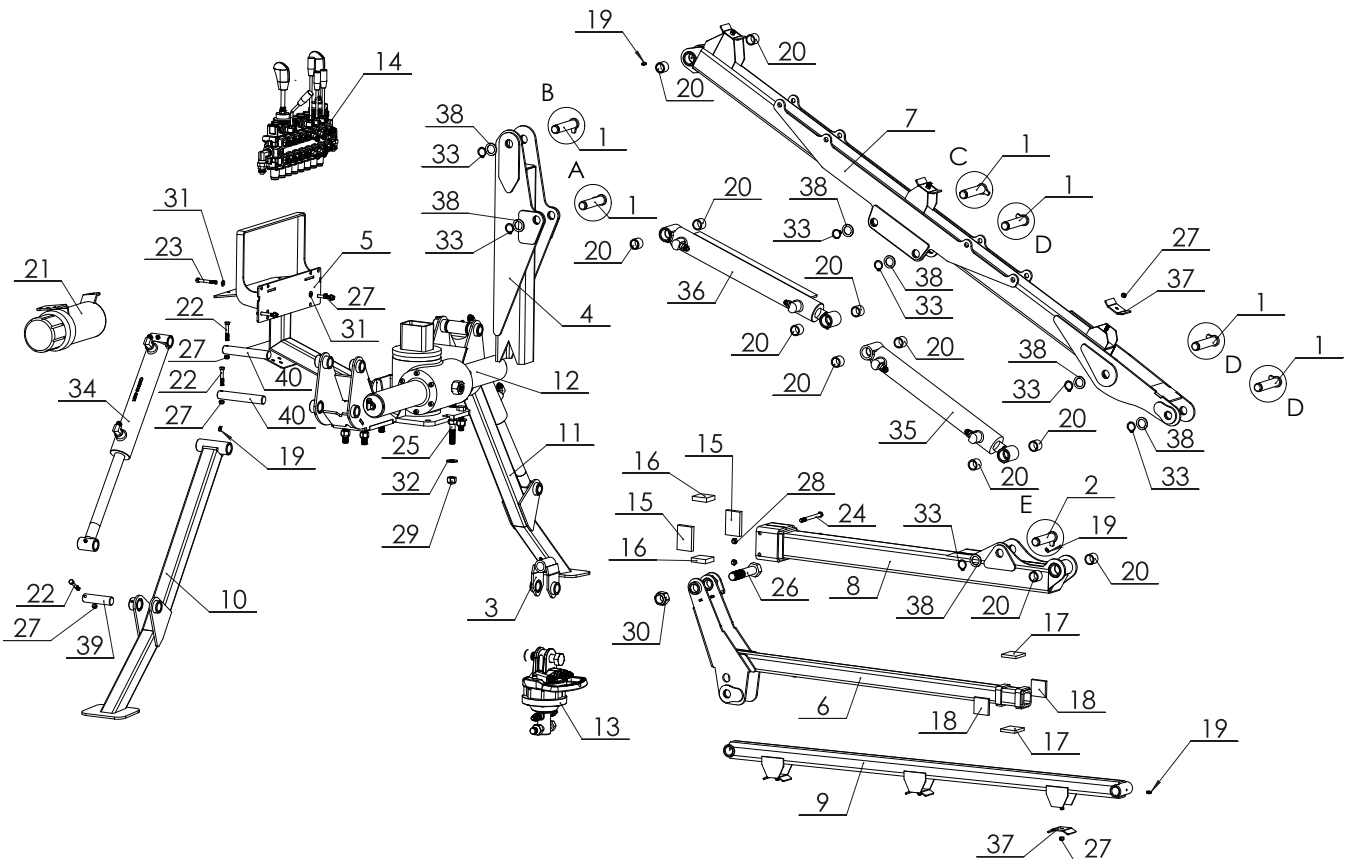
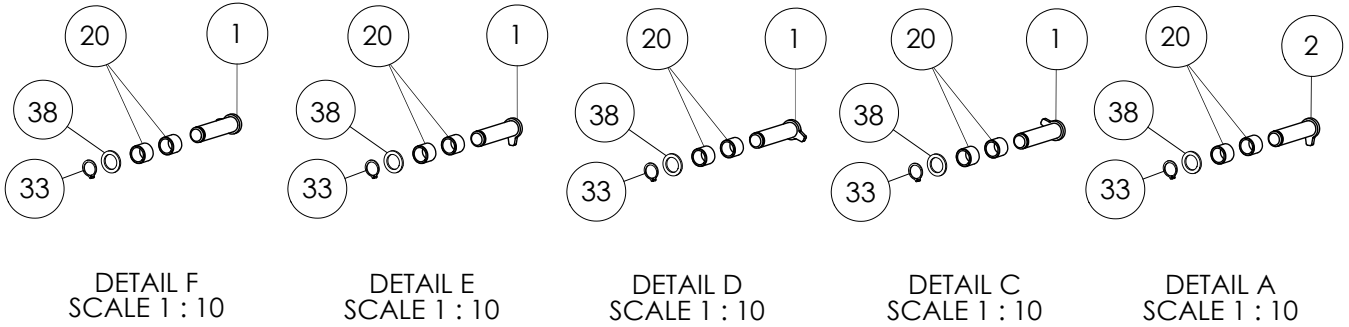
90 HD Loader Parts list

item	Parts#	Description	Qty
1	60-024-04	Loader column	1
2	60-024-08	Pinion W-CR-850	1
3	60-024-05	Loader main boom	1
4	60-024-06	Loader stick boom 90 HD	1
5	60-024-02	Left stabilizer	1
6	60-024-01	Right stabilizer	1
7	60-000-060	Hose lock	5
8	20-024-07	Main boom cylinder lock	1
9	20-024-03	Main boom cylinder lock	5
10	60-025-15	SALAMI hydraulic valve support	1
11	60-035-022	Washer	6
12	60-024-03	Grapple yoke	1
13	89-20-16-44-D22-00	Plastic tubing 1 1/4" O.D.	3
14	89-20-16-36-D18-00	Plastic tubing 1 1/4" O.D.	1
15	89-20-16-48-D24-00	Plastic tubing 1 1/4" O.D.	2
16	130260	8-section mono-block	1
17	120132	Hydraulic cylinder 2" dia. x 10" stroke	2
18	120152	Hydraulic cylinder 2" dia. x 10" stroke	1
19	120162	Hydraulic cylinder 2" dia. x 16" stroke	1
20	57-006	28" Grapple	1
21	199311	CR-100 Rotator	1



Characteristics of the loader 90-HD PLUS

(2021 and recents models)



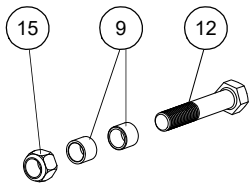


90 HD Plus Loader Part list

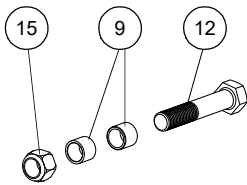
item	Parts #	Description	Qty
1	20-024-03	Cylinder pin long boom	6
2	20-024-07	Cylinder pin long boom	2
3	60-024-03	Link grappler 28" (Welding assembly)	1
4	60-024-04	Main tower 8-52	1
5	60-025-15	Hydraulic valve support SALAMI	1
6	60-108-01	Loader stick arm 90 HD telescopic	1
7	60-108-05	Large boom for loader	1
8	60-108-06	Small reach boom 90 HD telescopic	1
9	60-108-10	Rappel arm 90 HD+	1
10	60-110-01	Right stabilizer leg	1
11	60-110-02	Left stabilizer leg	1
12	60-110-08	Rack and pinion W-CR-850-SP	1
13	199311-01	Assembly Rotor CR-100+Fittings+bolt+nut	1
14	130260	GA Monoblock valves 8 sections Q25	1
15	60-096-012	Telescope slide 2" x 3" x 1/2"	2
16	60-096-013	Telescope slide 2" x 2" x 1/2"	2
17	60-096-014	Telescope slide 2 1/4" x 2" x 5/16"	2
18	60-096-015	Telescope slide 2" x 2" x 5/16"	2
19	310020	Right greaser 1/4"-28	5
20	111000	Bushing 1 x 1.25 x 1	12
21	400501	Round document holder for manual 5" x 12 1/2"	1
22	300730	Bolt 5/16"-18 x 2" Length	6
23	300740	Bolt 5/16"-18 x 2 1/2" Length	3
24	300590	Bolt 3/8"-16 x 4 1/2" Length	2
25	300830	Bolt 5/8"-11 x 2 1/2" Length	8
26	300310	Bolt 1"-8 x 5 Length x 2 1/4" Thread	1
27	301560	Nylon nut 5/16"-18	15
28	301550	Nylon nut 3/8"-16	2
29	301570	Nylon nut 5/8"-11	8
30	301500	Nylon nut 1"-8	1
31	301390	Flat Washer 5/16" Narrow	6
32	301360	Flat Washer 5/8" Narrow	2
33	307060	Snap ring 1" heavy duty	7
34	120132	Hydraulic Cylinder 2" Dia. x 10" Stroke	2
35	120152	Hydraulic Cylinder 2" Dia. x 14" Stroke	1
36	120162	Hydarulic cylinder 2" Dia. x 16" Stroke	1
37	60-000-060	Pipe lock	6
38	60-035-022	Washer	7
39	86-16-62-E06-00	Pin 1" O.D.	2
40	86-16-101-E06-00	Pin 1"	4



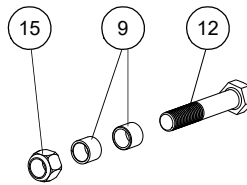
Characteristics of the loader 95-HD (2021 and recents models)



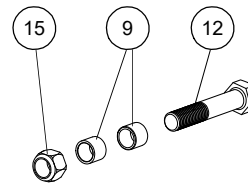
DETAIL A
SCALE 1 : 10



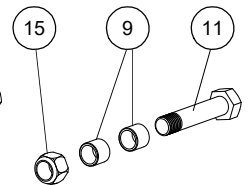
DETAIL B
SCALE 1 : 10



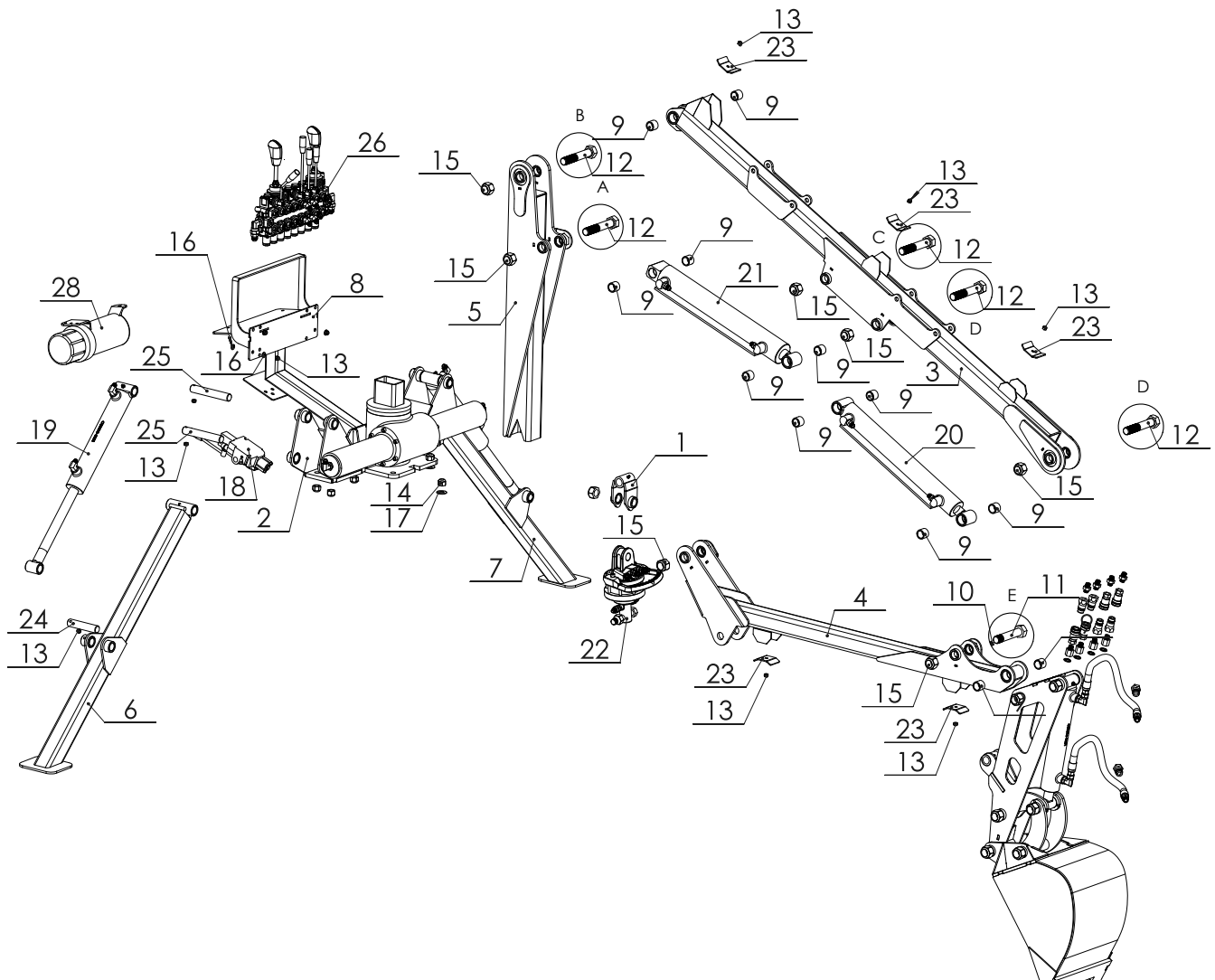
DETAIL C
SCALE 1 : 10



DETAIL D
SCALE 1 : 10



DETAIL E
SCALE 1 : 10





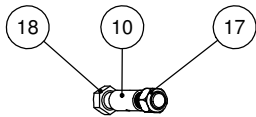
95-HD Loader Parts list

ITEM	Part #	Description	Qty
1	60-024-03	Link grappler 28" (Welding assembly)	1
2	60-025-01	Assembly rack and pinion 900	1
3	60-025-02	Large boom Loader 95 HD (STD)	1
4	60-025-03	Small boom Loader 95 HD (STD)	1
5	60-025-04	Post boom loader 95 HD	1
6	60-025-05	Right leg stabilizer 95-HD	1
7	60-025-06	Left leg stabilizer 95-HD	1
8	60-025-15	Hydraulic valve support SALAMI	1
9	111000	Bushing 1 x 1.25 x 1	12
10	310020	Grease nipple right 1/4"-28	4
11	300330	Bolt 1"-8 x 6 1/2" Long x 2 1/2" Thread	1
12	300340	Bolt 1"-8 x 7" Length x 2 1/2" Thread	5
13	301560	Nylon nut 5/16"-18	14
14	301570	Nylon nut 5/8"-11	8
15	301500	Nylon nut 1"-8	7
16	301390	Flat Washer 5/16" Narrow	7
17	301360	Flat Washer 5/8" Narrow	2
18	130210	Valve hydraulic Salami vdm6 1 section	1
19	120132	Hydraulic cylinder 2" Dia. x 10" Stroke	2
20	120162	Hydarulic cylinder 2" Dia. x 16" Stroke	1
21	120322	Hydraulic cylinder 2 1/2" Dia. x 16" Stroke	1
22	199311-01	Assembly Rotor CR-100+Fittings+bolt+nut	1
23	60-000-060	Pipe lock	5
24	86-16-76-E08-00	Pin 1" O.D.	2
25	86-16-101-E06-00	Pin 1"	4
26	130260	GA Monoblock valves 8 sections Q25	1

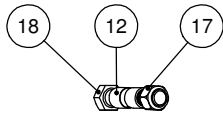


Characteristics of the loader 95-HD

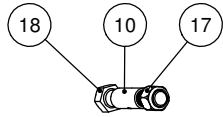
(2020 and previous models)



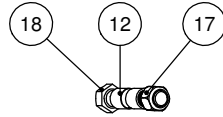
DETAIL M
SCALE 1 : 11



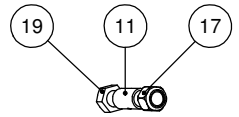
DETAIL L
SCALE 1 : 11



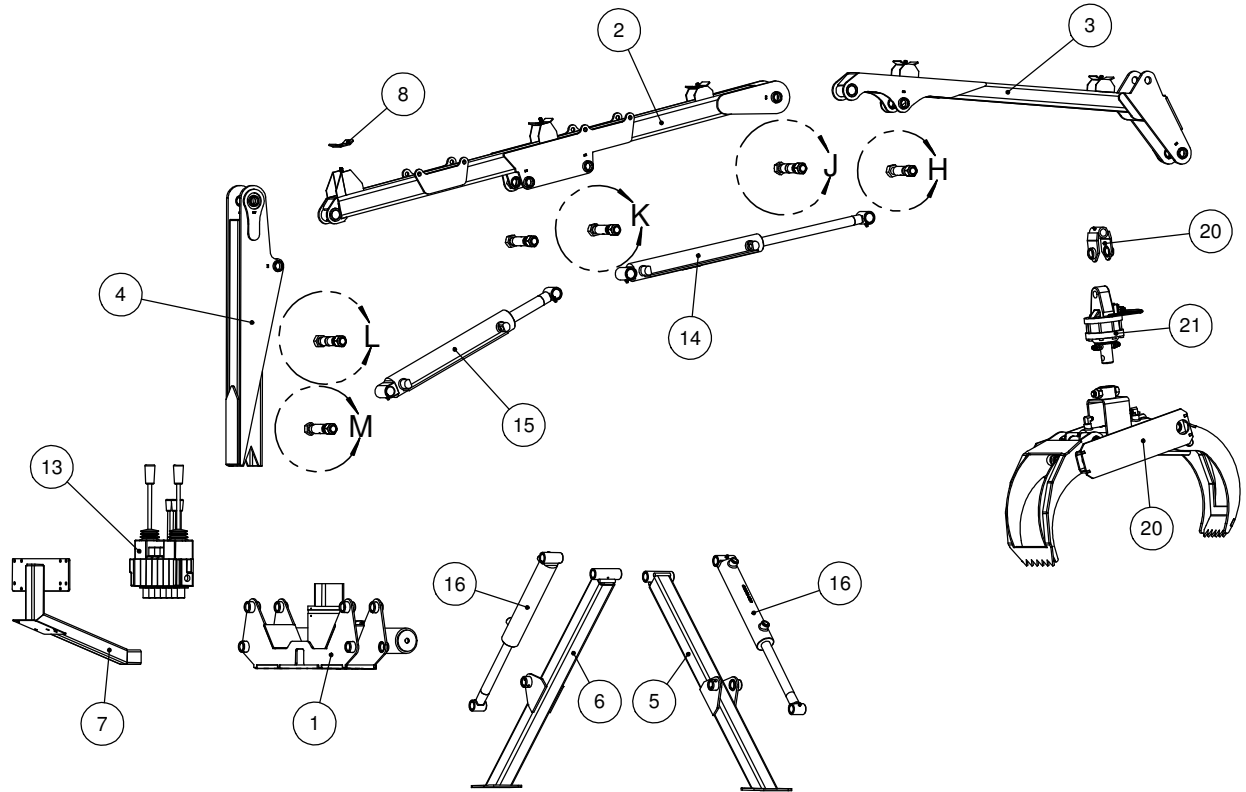
DETAIL K
SCALE 1 : 11



DETAIL J
SCALE 1 : 11



DETAIL H
SCALE 1 : 11





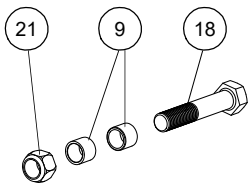
95-HD Loader Parts list

ITEM	Part #	Description	Qty
1	60-025-01	Pinion assembly	1
2	60-025-02	Loader main boom 95 HD	1
3	60-025-03	Loader stick boom 95 HD	1
4	60-025-04	Loader column 95 HD	1
5	60-025-05	Right stabilizer 95-HD	1
6	60-025-06	Left stabilizer 95-HD	1
7	60-025-15	SALAMI hydraulic valve support	1
8	60-000-060	Hose lock	5
9	60-024-03	Grapple yoke	1
10	89-20-16-44-D22-00	Plastic tubing 1 1/4" O.D.	3
11	89-20-16-36-D18-00	Plastic tubing 1 1/4" O.D.	1
12	89-20-16-48-D24-00	Plastic tubing 1 1/4" O.D.	2
13	130230	Anti-shock Q25/7 control	1
14	120162	Hydraulic cylinder 2" dia. x 16" stroke	1
15	120322	Hydraulic cylinder 2" dia. x 16 stroke	1
16	120132	Hydraulic cylinder 2" dia. x 10" stroke	2
17	301500	Nylon nut 1"-8	6
18	300340	Bolt 1"-8 x 7" Long x 2 1/2" threads	5
19	300330	Bolt 1"-8 x 6 1/2" Long x 2 1/2" threads	1
20	57-006	28" Grapple	1
21	199311	CR-100 Rotator	1

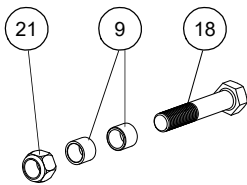


Characteristics of the loader 105-HD

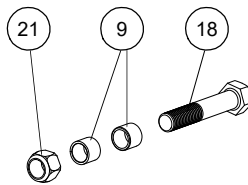
(2021 and recents models)



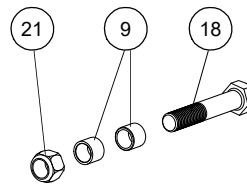
DETAIL A
SCALE 1 : 11



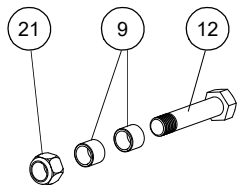
DETAIL B
SCALE 1 : 11



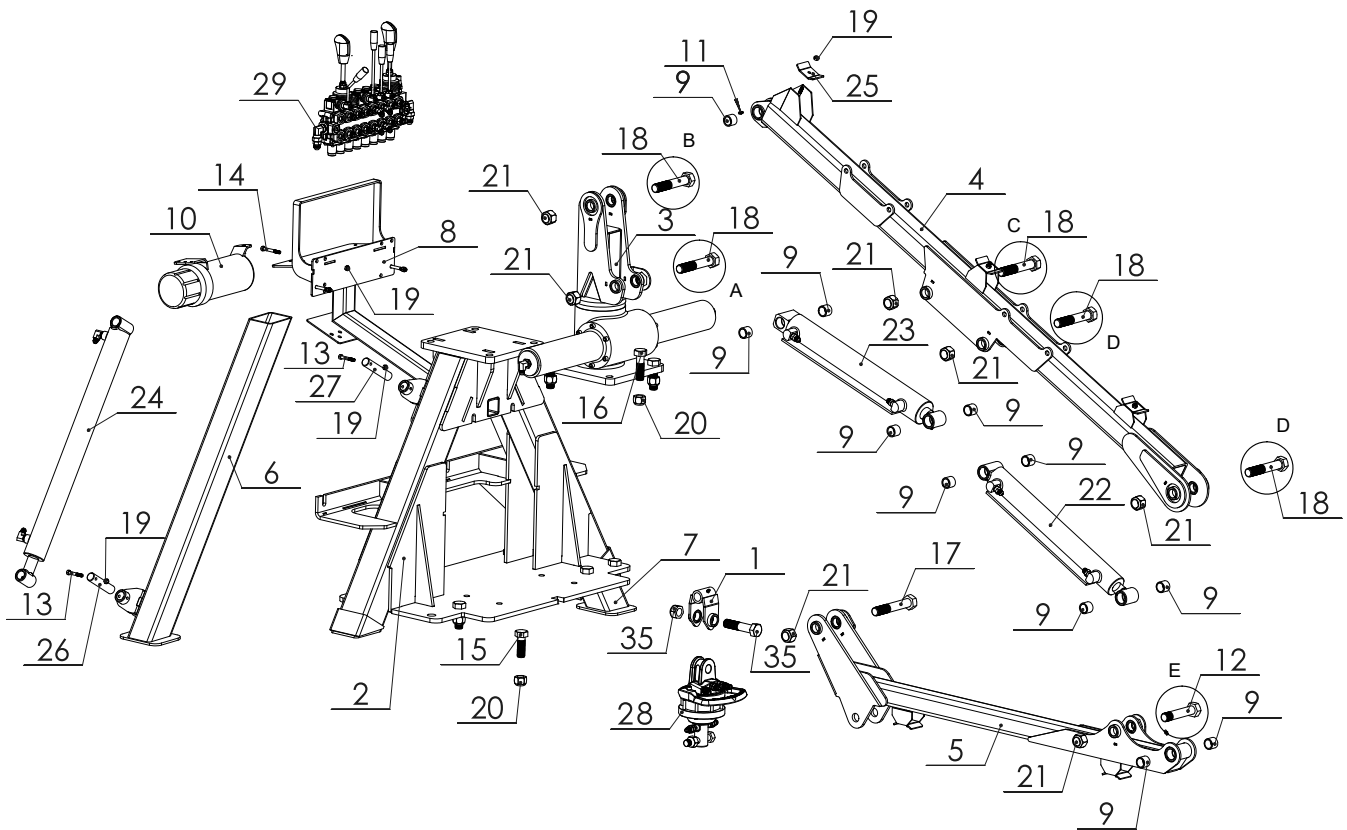
DETAIL C
SCALE 1 : 11



DETAIL D
SCALE 1 : 11



DETAIL E
SCALE 1 : 11



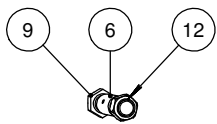


105-HD Loader - Part List

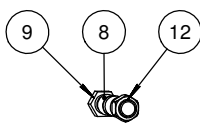
Item.	Part #	Description	Qty
1	60-024-03	Link grappler 28" (Welding assembly)	1
2	60-042-01	A-frame Loader 105 HD (telescopic leg)	1
3	60-042-02	Main tower boom loader	1
4	60-042-03	Large boom Loader 105-HD	1
5	60-042-04	Small boom 105-HD	1
6	60-042-05	Right stabilizer leg	1
7	60-042-06	Left stabilizer leg	1
8	60-042-17	Hydraulic valve support SALAMI	1
9	111000	Bushing 1 x 1.25 x 1	12
10	400501	Round document holder for manual 5" x 12 1/2"	1
11	310020	Grease nipple right 1/4"-28	2
12	300330	Bolt 1"-8 x 6 1/2" Length x 2 1/2" Thread	1
13	300730	Bolt 5/16"-18 x 2" Length	4
14	300740	Bolt 5/16"-18 x 2 1/2" Length	3
15	301010	Bolt 7/8"-9 x 2 1/2" Length	8
16	301012	Bolt 7/8"-9 x 3" Length	4
17	300320	Bolt 1"-8 x 6" Length	1
18	300340	Bolt 1"-8 x 7" Length x 2 1/2" Thread	5
19	301560	Nylon nut 5/16"-18	12
20	301590	Nylon nut 7/8"-9	12
21	301500	Nylon nut 1"-8	7
22	120162	Hydarulic cylinder 2" Dia. x 16" Stroke	1
23	120322	Hydarulic cylinder 2 1/2" Dia. x 16" Stroke	1
24	120190	Hydarulic cylinder 2" Dia. x 24" Stroke	2
25	60-000-060	Pipe lock	5
26	86-16-72-E08-00	Pin 1" O.D	2
27	86-16-80-E08-00	Pin 1" O.D	2
28	199311-01	Assemblage Rotor CR-100+Fittings+bolt+nut	4
29	130260	GA Monoblock valves 8 sections Q25	1

Characteristics of the loader 105-HD

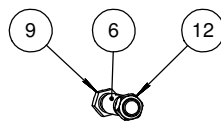
(2021 and previous models)



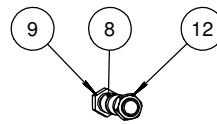
DETAIL U
 SCALE 1 : 11



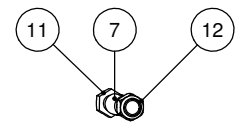
DETAIL T
 SCALE 1 : 11



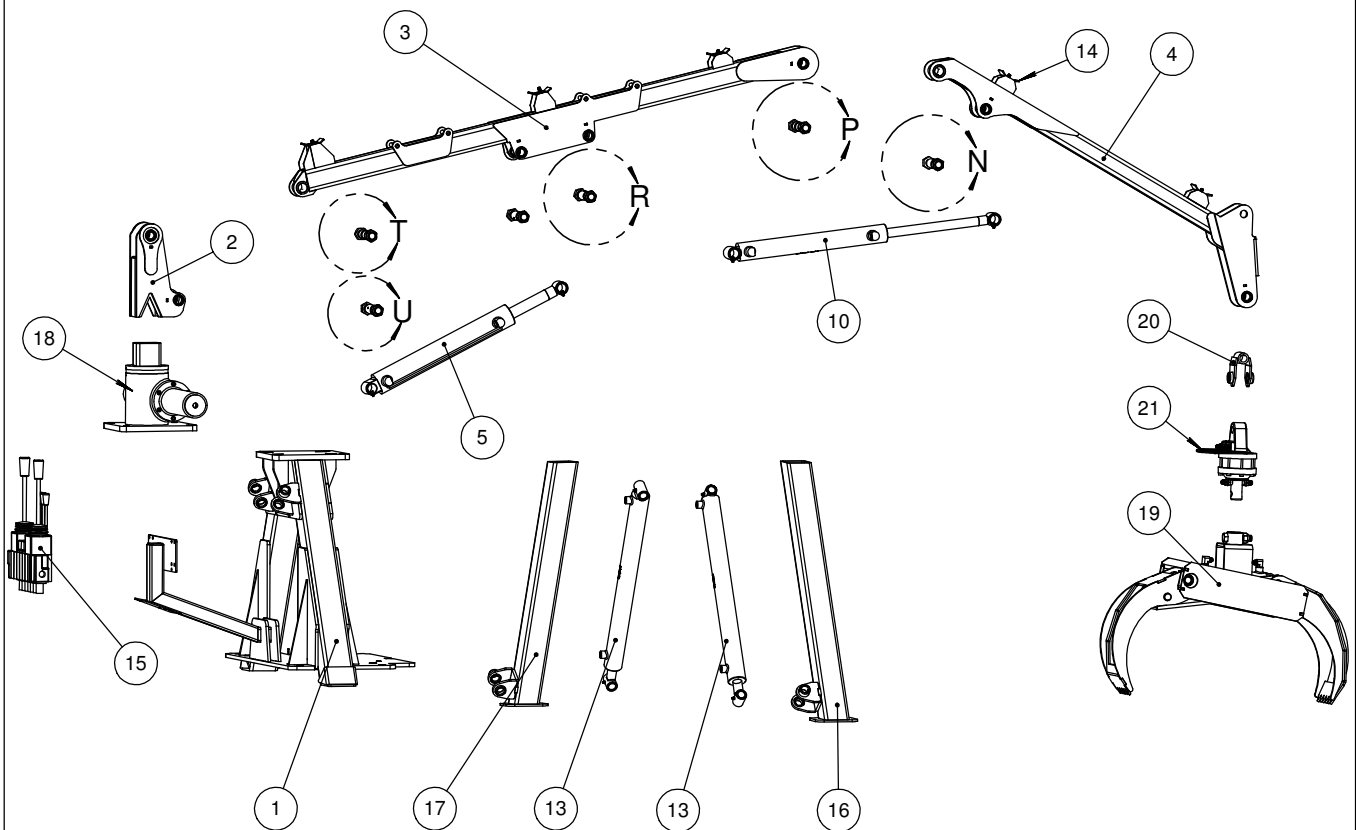
DETAIL R
 SCALE 1 : 11



DETAIL P
 SCALE 1 : 11



DETAIL N
 SCALE 1 : 11



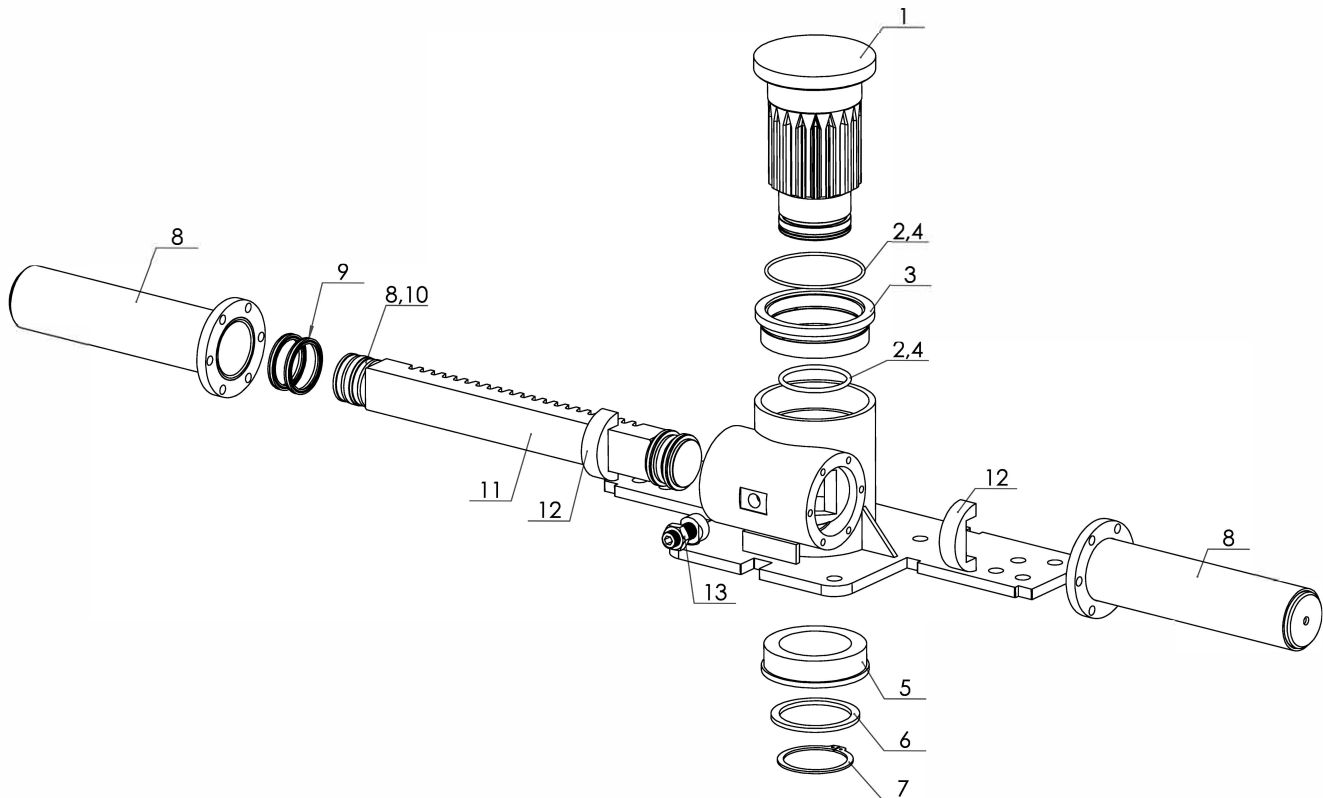


**105 HD Loader
Parts list**

Item	Part#	Description	Qty
1	60-042-01	Loader A-frame	1
2	60-042-02	Loader column	1
3	60-042-03	Main boom 105-HD	1
4	60-042-04	Stick boom 105-HD	1
5	60-042-05	Right stabilizer	1
6	60-042-06	Left stabilizer	1
7	60-024-03	Grapple yoke	1
8	60-000-060	Hose lock	5
9	89-20-16-44-D22-00	Plastic tubing 1 1/4" O.D.	3
10	89-20-16-36-D18-00	Plastic tubing 1 1/4" O.D.	1
11	89-20-16-48-D24-00	Plastic tubing 1 1/4" O.D.	2
12	300340	Bolt 1"-8 x 7" Long x 2 1/2" Threads	5
13	300330	Bolt 1"-8 x 6 1/2" Long x 2 1/2" threads	1
14	301500	Nylon nut 1"-8	6
15	120190	Hydraulic cylinder 2" x 24" stroke	2
16	120322	Hydraulic cylinder 2-1/2" x 16" stroke	1
17	120162	Hydraulic cylinder 2" Dia. x 16" stroke	1
18	130230	Ant-shock Q25/7 control	1
19	110020	Pinion assembly	1
19	57-006	28" Grapple	1
21	199311	CR-100 Rotator	1



Model Pinion W-CR-850-SP W850-290-MOS2

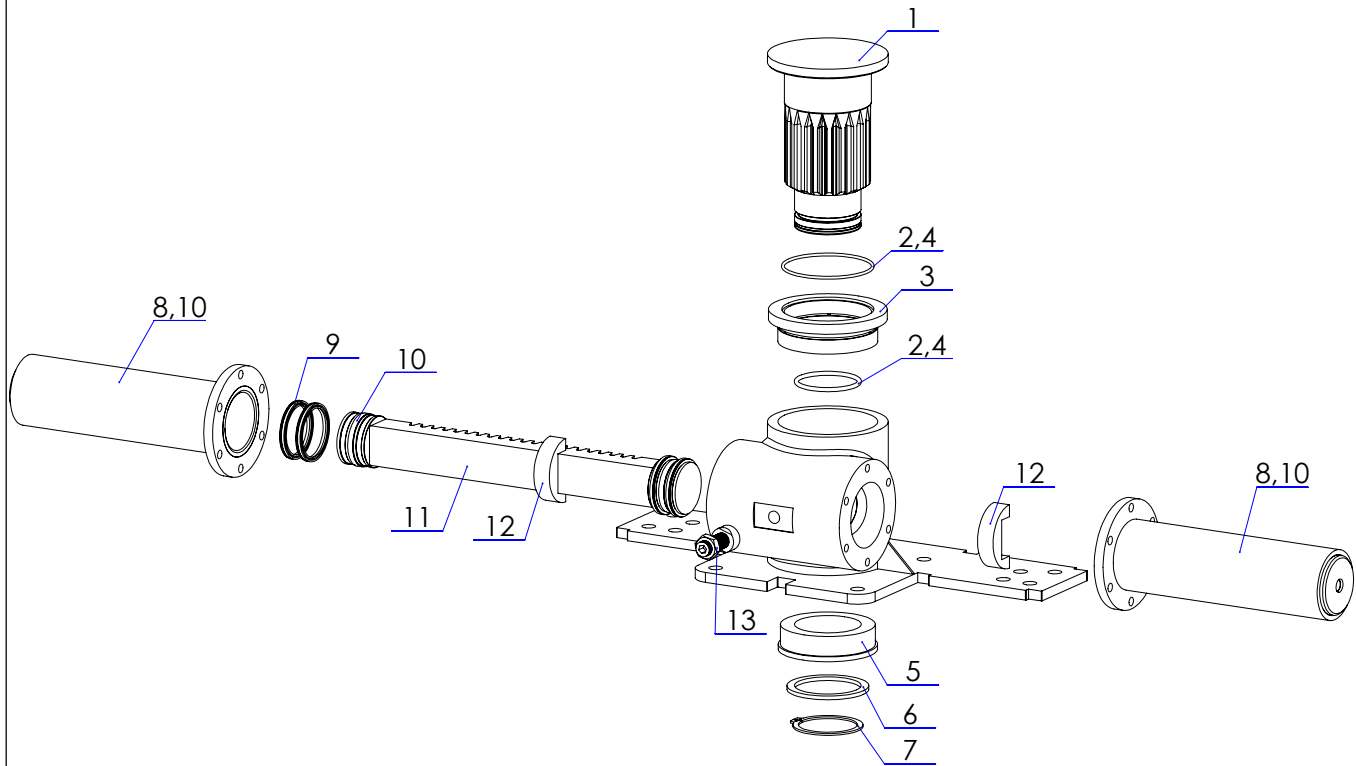


Model Pinion W-CR-850-SP W850-290-MOS2 Part List

Item.	Part #	Description	Qty
1	110003	Shaft central pinion rack pinion 850	1
2, 4	110006	Rack and Pinion Seal-Kit W850	1
3	110004	Bushing central gear top for rack pinion 850	1
2, 4	110006	Rack and Pinion Seal-Kit W850	1
5	110005	Bushing central gear low for rack pinion 850	1
6	110009	Washer spacing and snap ring for Rack Pinion W850	1
7	110009	Washer spacing and snap ring for Rack Pinion W850	1
8	109999	Bottle (without piston) for Rack Pinion W850-270	2
9	110100	Piston seal rack pinion for 850	4
8, 10	110002	Bottle with piston included for Rack Pinion W850-270	2
11	110001	Toothed bar rack pinion 850	1
12	110007	Toothed bar cushion for rack pinion 850	2
13	110008	Brass pusher toothed bar for rack 850	1



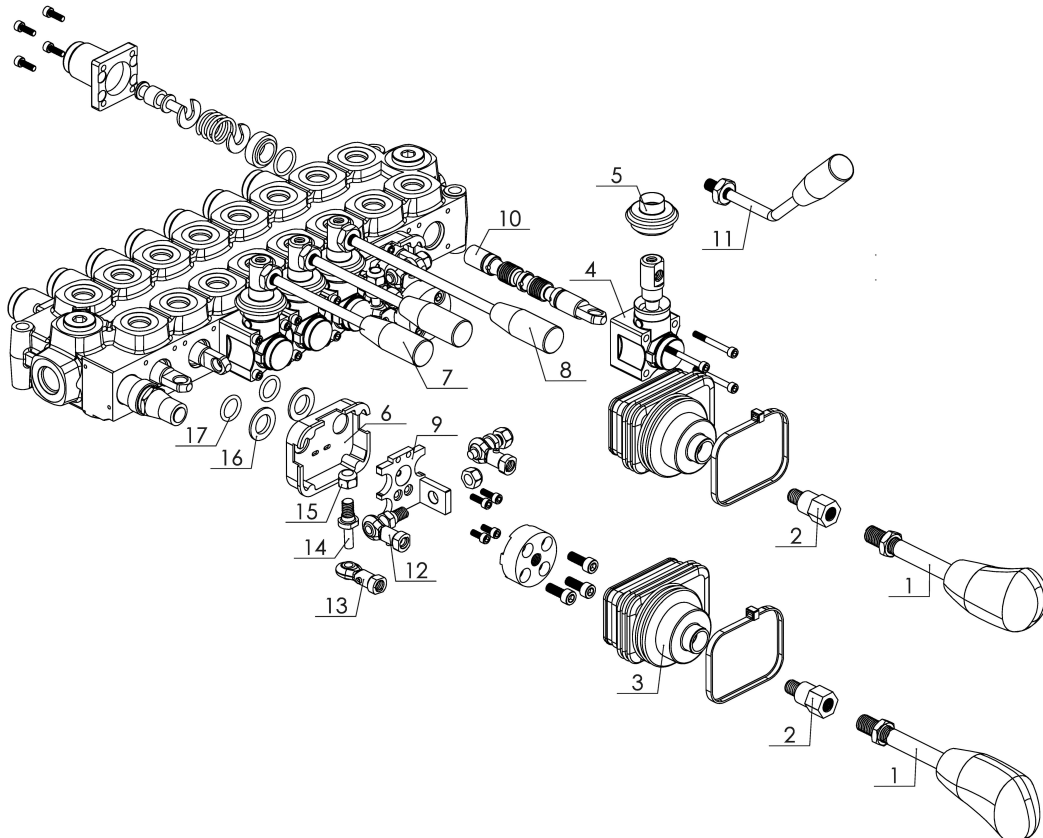
Model Pinion W-CR-900-SP



Model Pinion W-CR-900-SP Part List

Item	Part #	Description	Qty
1	110013	Shaft central Rack and Pinion 900	1
2, 4	110016	Rack and Pinion Seal-Kit 900 CH95-105	1
3	110014	Bushing central gear top for Rack and Pinion 900 CH95-105	1
2, 4	110016	Rack and Pinion Seal-Kit 900 CH95-105	1
5	110015	Bushing central gear low for Rack and Pinion 900 CH95-105	1
6	110011	Washer spacing and snap ring for Rack and Pinion W900-270 CH95-105	1
7	110011	Washer spacing and snap ring for Rack and Pinion W900-270 CH95-105	1
8, 10	110012	Bottle with piston for Rack and Pinion W900-270 CH95-105	2
9	110022	Piston seal for Rack and Pinion CH95-105	4
10	110021	Bottle with piston included for Rack and Pinion CH95-105	2
11	110019	Toothed bar Rack and Pinion 900 CH95-105	1
12	110017	Toothed bar cushion for Rack and Pinion 900 CH95-105	2
13	110018	Brass pusher toothed bar for Rack and Pinion 900 CH95-105	1

Valve control monoblock 8 Section

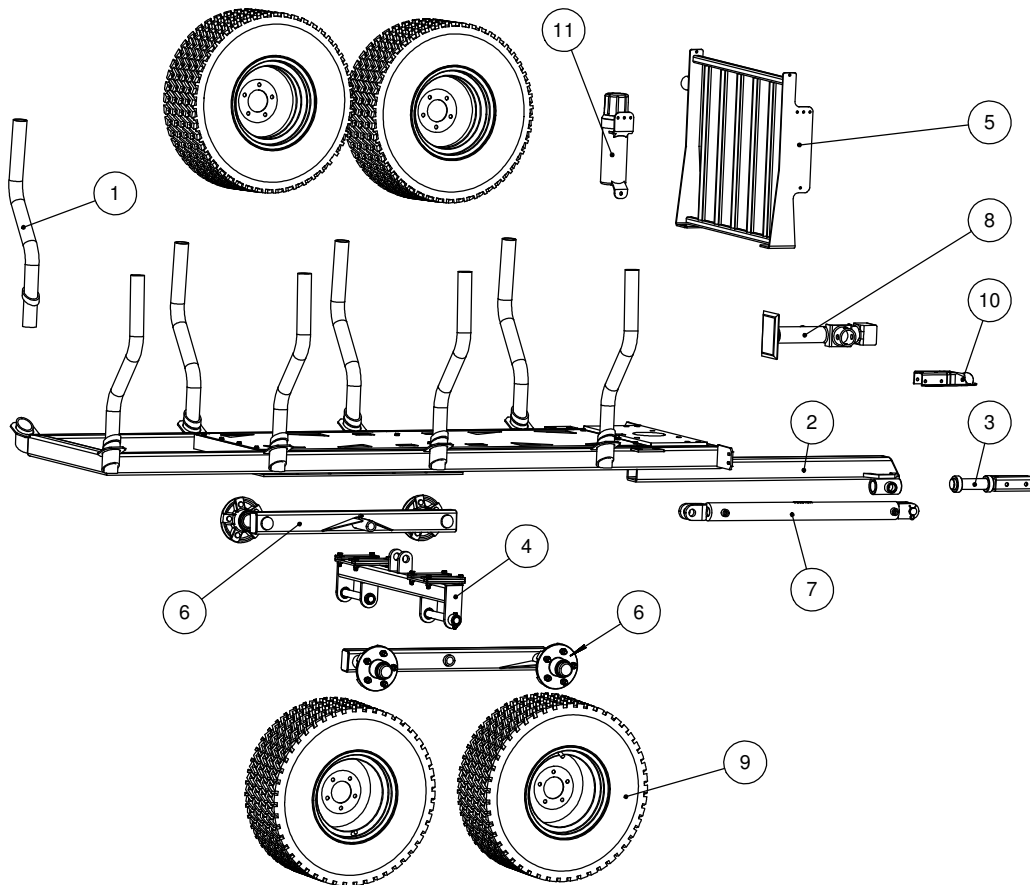


GA Valve control monoblock 8 Section - Part list

No.	Part #	Description	Qty
1	130035	Q30 GA Joystick Arm with Large Knobs	2
2	130317	GA Lever Adapter A15-A35 Q30-25-45	2
3	130030	Big Boots Joystick Q30-Q130 GA	2
4	130015	GA Galtech Lever Box	4
5	130020	GA Lever Box Small Boots	1
6	130300	GA Joystick Plate NEW MODEL	2
7	130040	GA Short arm Q30 160MM for individual section	2
8	130050	GA Long arm Q 30 210MM for individual section	1
9	130131	GA plate A35-34R LEFT new version	1
10	130291	SPOOL/TIROIR double action open center cylinder threaded on both ends Q25/Q30 old model	5
11	130040	GA Short Arm Q30 160MM for individual section (modified)	1
12	130310	GA PIN FOR NIB WITH BALL JOINT ASSEMBLED FOR NEW MODEL	2
13	130100	GA Head RF6	4
14	130080	GA Pin for sliding Old and New Model	4
15	130060	GA Nylon Nuts M8 for Q30/A15	6
16	130000	GA Snap ring/washer spacer GA 06019 28497 99	4
17	130001	GA drawer seals A-25-30 OR 70 113	5



Characteristics of the trailer 8-52

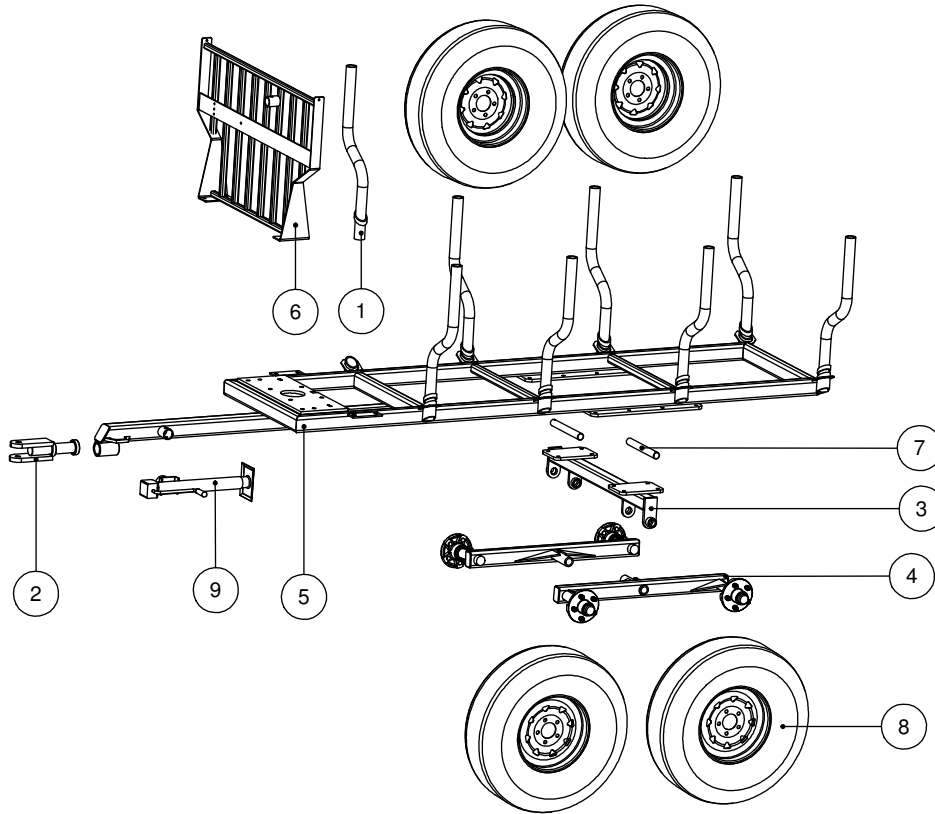


Trailer 8-52 Tire 25-10-12 Part list

Item	Part #	Description	Qty
1	59-019-09	7-52 Trailer post	8
2	59-019-07	7-52 Frame	1
3	59-019-06	Swivel pole	1
4	59-019-03	Hydraulic axle	1
5	59-019-08	Protective grid	1
6	59-019-05	7-52 Tandem	2
7	120191	Hydraulic cylinder	1
8	303010	Trailer Jack-3000 or 2000 lbs	1
9	302210	25-10-12 Tire 6 ply 5 nuts	4
10	310670	Hitch	1
11	400500	Document holder	1



Characteristic of the trailer 8-58

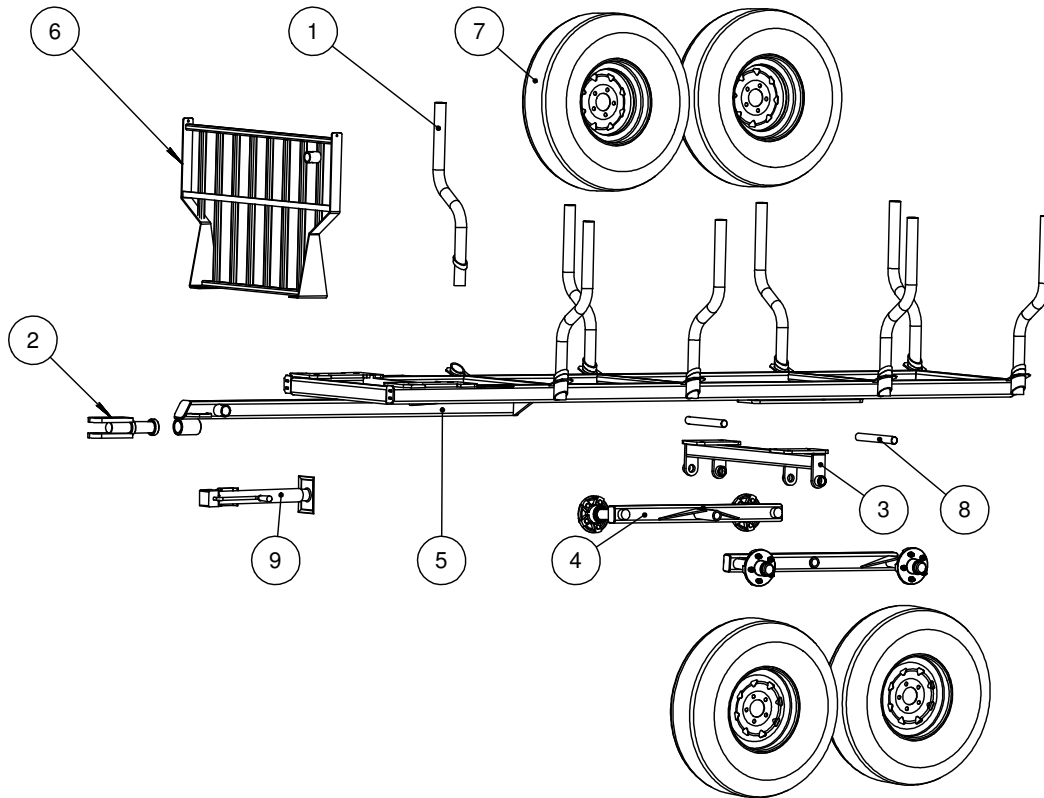


8-58 Trailer with 11L15 Tires Parts list

Item	Part#	Description	Qty
1	59-020-07	8-58 Trailer post	8
2	59-020-05	Hitch	1
3	59-006-04	8-58 tandem trailer hub 3500 lbs	1
4	59-020-08	Tandem trailer hub 3500 lbs	2
5	59-020-01	8-58 Forestry trailer frame	1
6	59-020-06	8-58 Protective grid	1
7	86-20-173-E08-00	Rod 1 1/4" O.D.	2
8	302000	11L15 tire 8 ply 5 Nuts 3500 lbs	4
9	303020	Trailer Jack -6000 or 5000 lbs	1

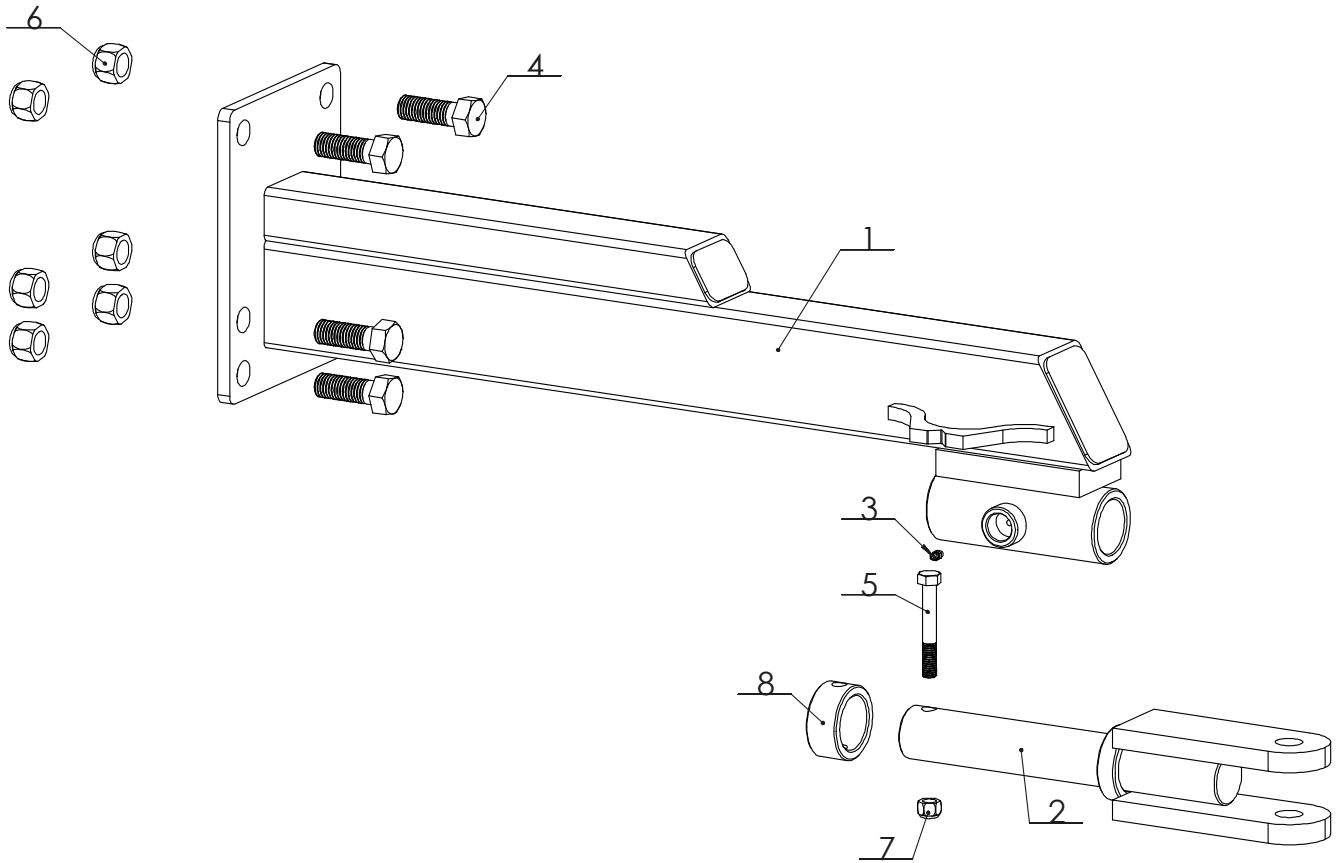


Characteristic of the trailer 9-58



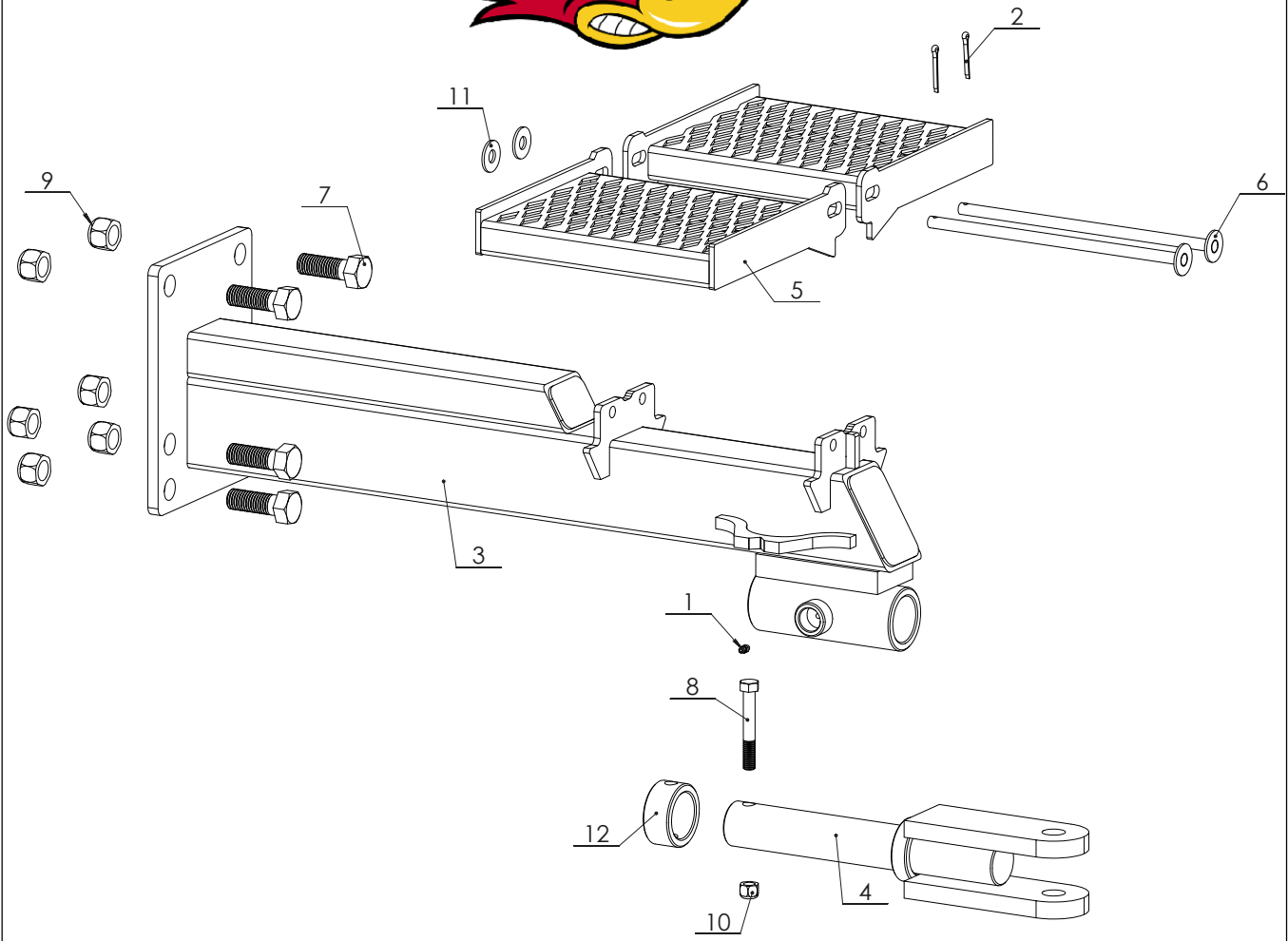
9-58 Forestry trailer with 11L15 tires parts list

Item	Part #	Description	Qty
1	59-020-07	8-58 Trailer post	8
2	59-020-05	Hitch	1
3	59-128-04	Bolted adjustable axle	1
4	59-020-08	Tandem trailer hub 3500 lbs	2
5	59-128-01	9-58 Forestry trailer frame	1
6	59-128-02	9-58 Protective grid	1
7	302000	11L15 Tire 8 ply 5 Nuts 3500 lbs	4
8	86-20-173-E08-00	Rod 1 1/4" O.D.	2
9	303020	Trailer jack 6000 or 5000 lbs	1



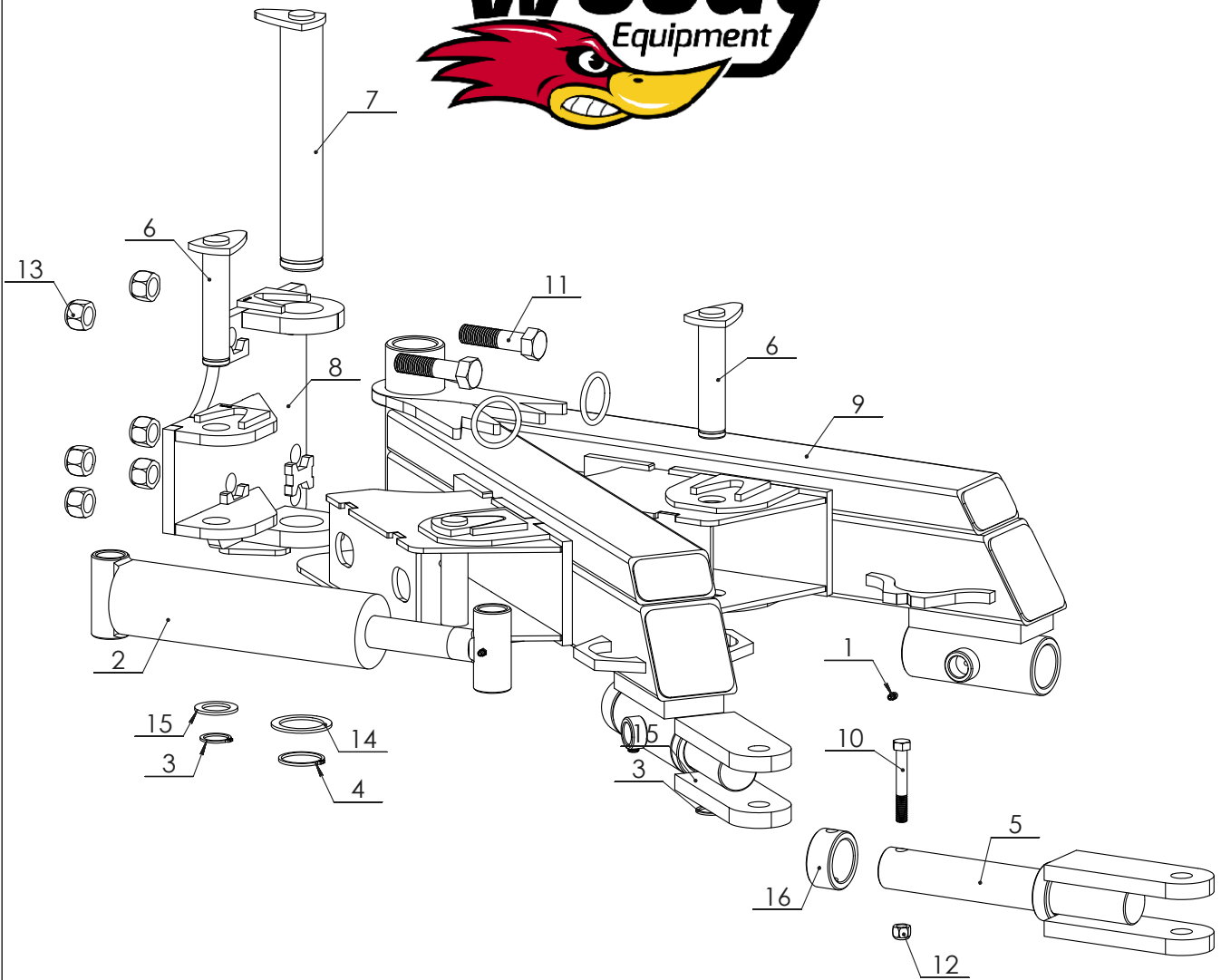
Part list
Small hydraulic drawbar (9-58)

No.	Part No.	Description	Qty
1	59-076-63	Small pole removable without foot step	1
2	59-020-05	Agricultural trailer coupling	1
3	310020	Grease nipple right 1/4"-28	1
4	301010	Bolt 7/8"-9 x 2 1/2" Length	6
5	300060	Bolt 1/2"-13 x 3 1/2" Length	1
6	301590	Nylon nut 7/8"-9	6
7	301510	Nylon nut 1/2"-13	1
8	59-076-105	Pole Bar Lock (shaft 1 15/16")	1



Parts List
Small drawbar single-cylinder dismountable (9-58) (105HD)

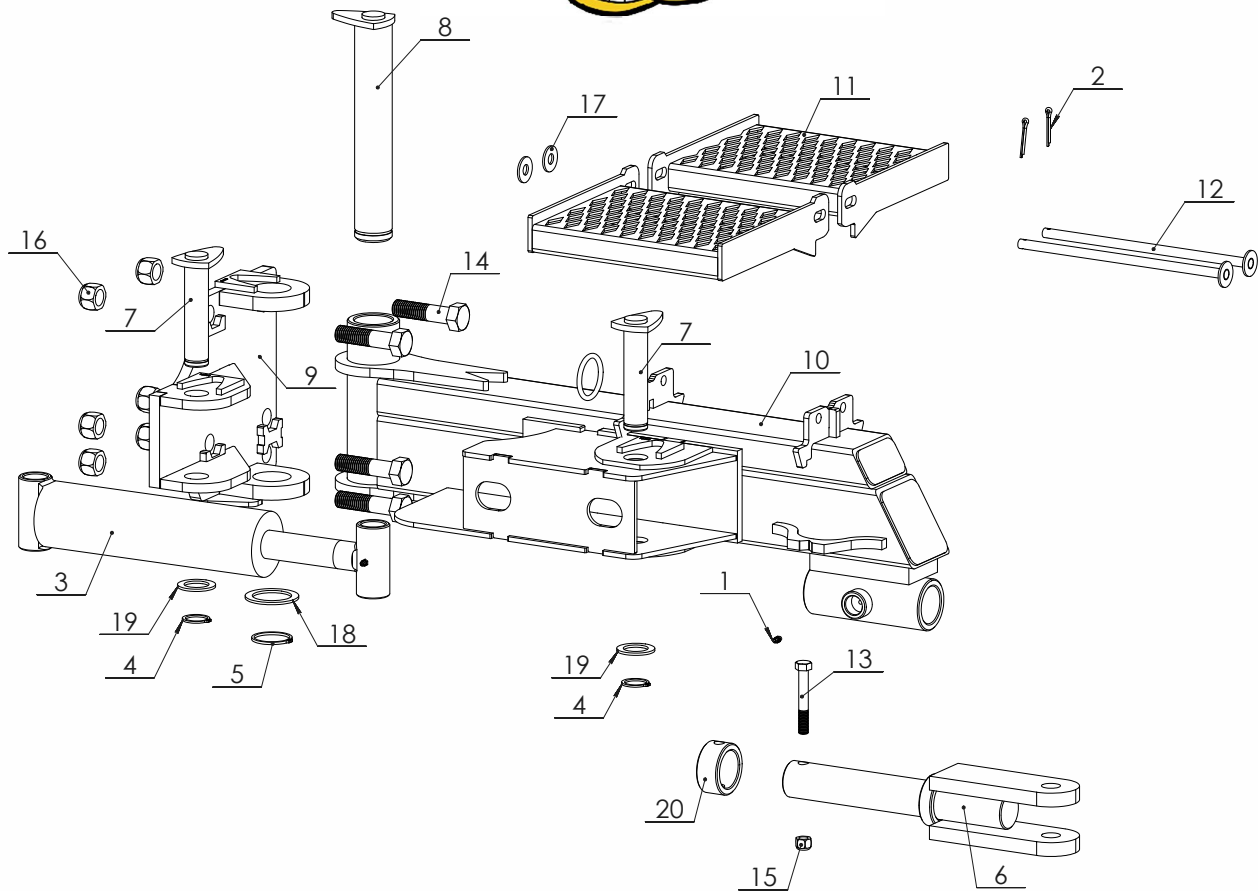
Item	Part #	Description	Qty
1	310020	Grease nipple right 1/4"-28	1
2	310881	Split pin	2
3	59-076-59	Small detachable coupling	1
4	59-020-05	Agricultural trailer coupling	1
5	59-076-38	Stair tread metal sheet 9.5	2
6	59-076-74	Foot Step Pivot Assembly	2
7	301010	Bolt 7/8"-9 x 2 1/2" Lenght	6
8	300060	Bolt 1/2"-13 x 3 1/2" Lenght	1
9	301590	Nylon nut 7/8"-9	6
10	301510	Nylon nut 1/2"-13	1
11	301310	Flat Washer 1/2" Broad	2
12	59-076-105	Pole Bar Lock (shaft 1 15/16")	1



Part list

Small drawbar single-joint dismantlable cylinder for 95HD - 105HD

No.	Part No.	Description	Qty
1	310020	Grease nipple right 1/4"-28	2
2	120443	Hydraulic cylinder 3" Dia. x 8" Stroke	1
3	307063	Snap-Ring 1 1/4" Thick	2
4	307075	Snap-Ring 2" Heavy	1
5	59-020-05	Agricultural trailer coupling	1
6	59-076-04	Cylinder pin	2
7	59-076-08	Pivot cylinder	1
8	59-076-15	Simple pivoting cylinder drive	1
9	59-076-56	Guide frame small single cylinder	1
10	300060	Bolt 1/2"-13 x 3 1/2" Length	1
11	301020	Bolt 7/8"-9 x 3 1/2" Length	6
12	301510	Nylon nut 1/2"-13	1
13	301590	Nylon nut 7/8"-9	6
14	59-076-034	Washer	1
15	59-076-035	Washer	2
16	59-076-105	Pole Bar Lock (shaft 1 15/16")	1

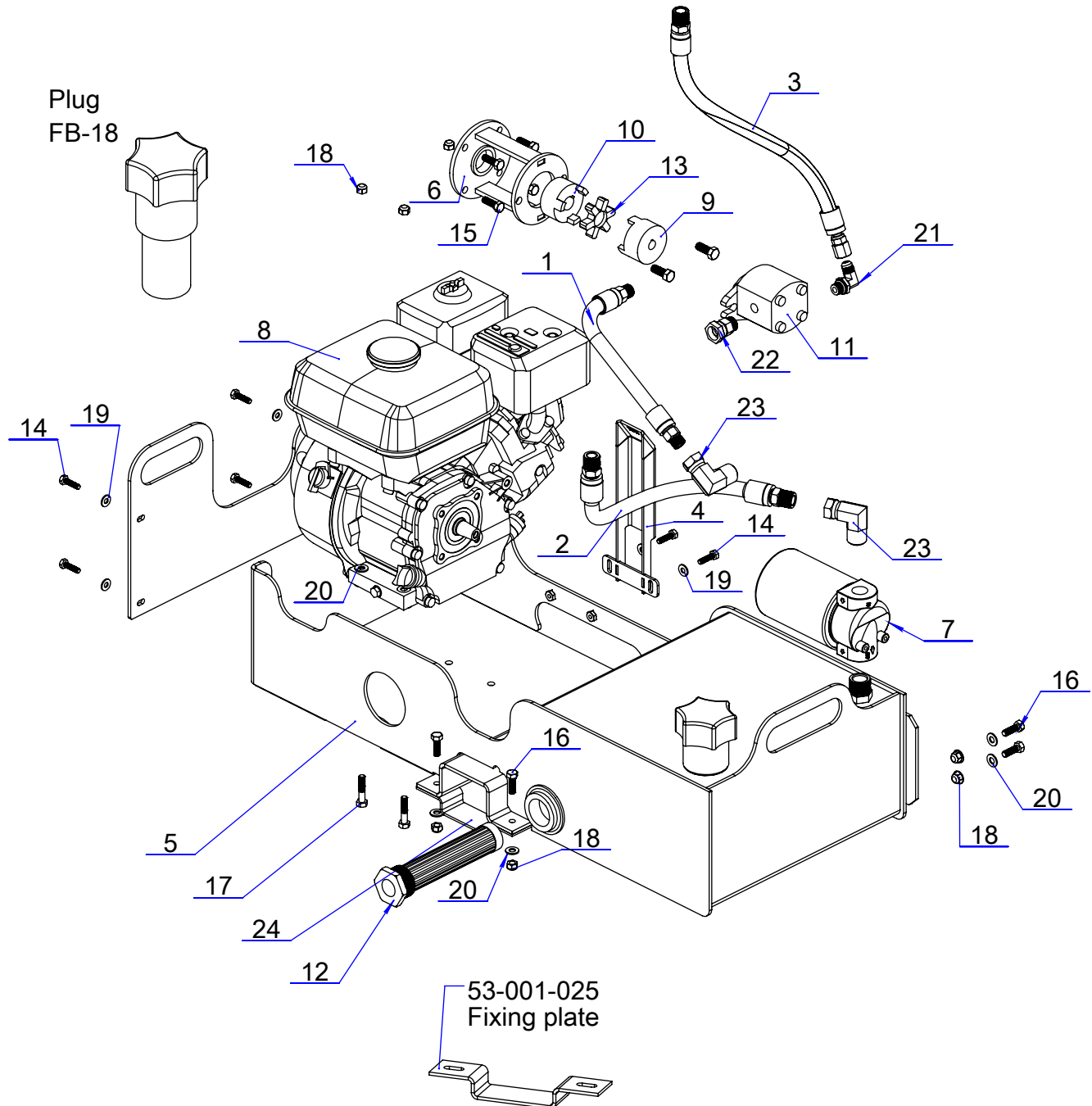


Part list
Small drawbar single joint cylinder removable for 105HD (9-58)

Item	Part #	Description	Qty
1	310020	Grease nipple right 1/4"-28	2
2	310881	Split pin	2
3	120443	Hydraulic cylinder 3" Dia. x 8" Stroke	1
4	307063	Snap-Ring 1 1/4" Thick	2
5	307075	Snap-Ring 2" Heavy	1
6	59-020-05	Agricultural trailer coupling	1
7	59-076-04	Cylinder pin	2
8	59-076-08	Pivot cylinder	1
9	59-076-15	Simple pivoting cylinder drive	1
10	59-076-27	Guide frame small single cylinder	1
11	59-076-36	Stair tread metal sheet 9.5	2
12	59-076-74	Foot Step Pivot Assembly	2
13	300060	Bolt 1/2"-13 x 3 1/2" Length	1
14	301020	Bolt 7/8"-9 x 3 1/2" Length	6
15	301510	Nylon nut 1/2"-13	1
16	301590	Nylon nut 7/8"-9	6
17	301310	Flat Washer 1/2" Broad	2
18	59-076-034	Washer	1
19	59-076-035	Washer	2
20	59-076-105	Pole Bar Lock (shaft 1 15/16")	1



Characteristic hydraulic power unit GX 160

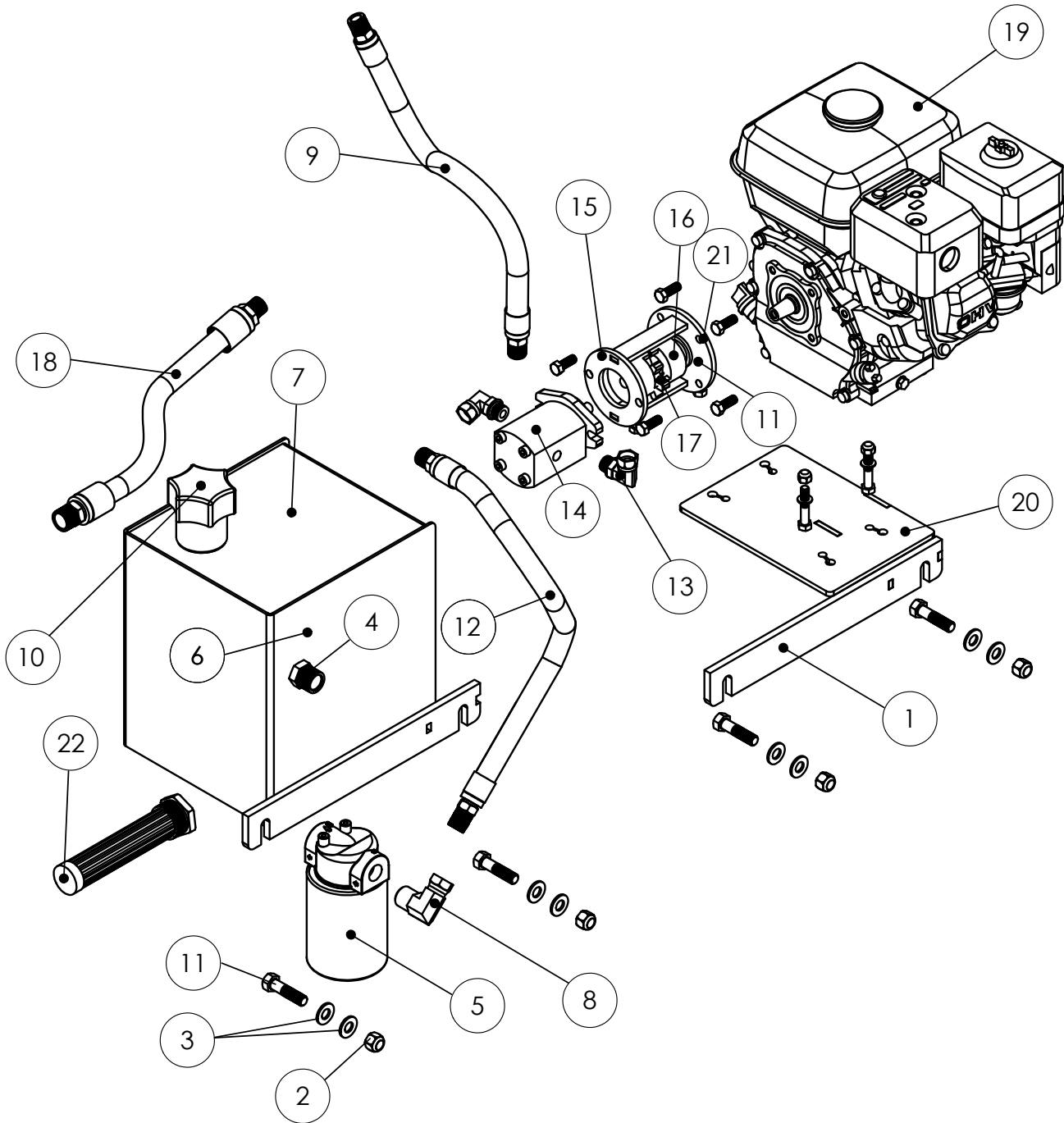




**Characteristic hydraulic power unit GX 160 2.0 GPM
Part list**

Item.	Part #	Description	Qty
1	140040-006-101700-101700	Hose 1/2 x 6 1/4" Long-NPT male 3/8, NPT male 3/8	1
2	140040-016-101700-101700	Hose 1/2 x 16" Long-NPT male 1/2, NPT male 1/2	1
3	140030-014-100610-101820	Hose 3/8 x 14" Long-JIC femelle swivel 3/8, NPT male 1/2	1
4	53-001-06	Protective cover	1
5	53-001-01	Tank / Motor Support	1
6	106000	Bell housing	1
7	190060	Filter Oil Head CP-750-10P	1
8	108010	Motor Honda GX160	1
9	140320	Jaw Coupling 1/2"	1
10	140340	Jaw Coupling 3/4"	1
11	108200	Pump Galthec 2 GPM	1
12	190020	Filter Suction LTM -10-100	1
13	140360	Jaw Coupling Rubber	1
14	300200	Bolt 1/4"-20 x 1" Lenght x 1" Thread	6
15	B-05-18-16-14	Bolt 5/16"-18 x 1" Lenght x 7/8" Thread	4
16	300700	Bolt 5/16"-18 x 1" Lenght x 7/8" Thread	6
17	300710	Bolt 5/16"-18 x 1 1/2" Lenght x 7/8" Thread	4
18	301560	Lock Nut 5/16"-18	10
19	301400	Flat Washer 1/4" Narrow	6
20	301390	Flat Washer 5/16" Narrow	14
21	101110	Elbow 90-Male JIC 3/8-Male ORB 3/8	1
22	103500	Adapter Male ORB 1/2" - NPTF SWIVEL 1/2"	1
23	101310	Elbow 90° 1/2" NPT FEMALE SWI x NPT MALE- 3/4"	2
24	53-001-025	Fixing plate	1

Characteristic hydraulic power unit GX 160



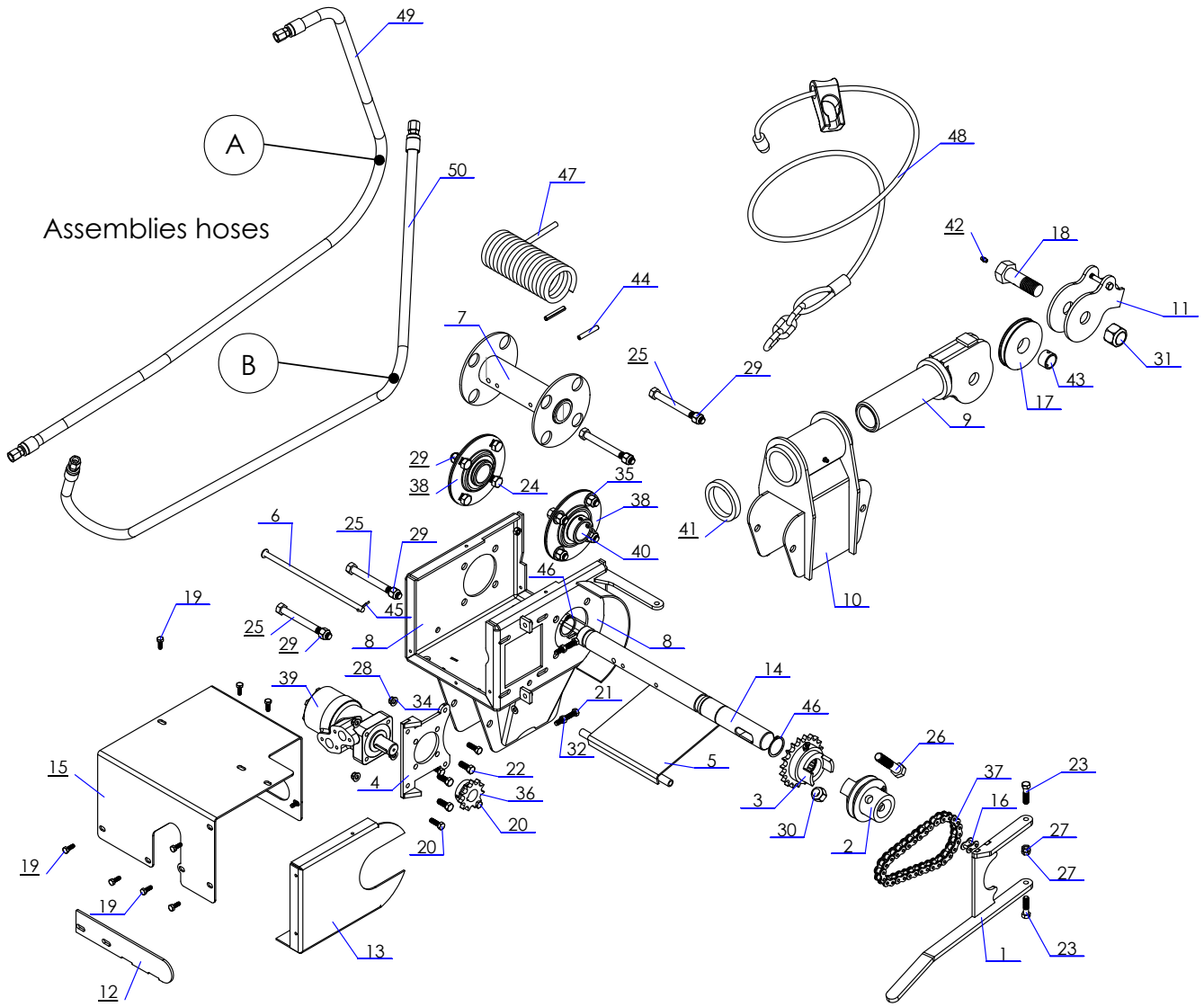


Hydraulic power unit GX 160 Part list

Item	Part #	Description	Qty
1	53-001-01	Tank / Engine Support	1
2	BLN-08-13	Lock nut 1/2"-13	1
3	BW5000EA	Flat washer 1/2" narrow	1
4	3109-12-08	Adapter Male 3/4"-14 female 1/2"-14	1
5	CP-750-10P	Filter Oil Head CP-750-10P	1
6	53-001-030	Oil container	1
7	53-001-029	Oil container lateral	1
8	9405-08-12	Elbow 90° NPSM Fem SWI x NPT Male - 1/2" x 3-4"	1
9	140040-020-101700-101700	Hose 1/2 x 20" Long-NPT male 1/2, NPT male 1/2	1
10	190000	Plug HYC-80-40-AS-WH1	4
11	300030	Bolt 1/2"-13 x 2" Lenght	2
12	140040-021-101700-101700	Hydraulic Hose 1/2"	1
13	9515-08-06	Elbow 90° Male ORB Adjustable 1/2" - Female NPSM Swivel 3/8"	2
14	Pompe Galtech SPA 3.2	Pump Galtech SPA 3.2	1
15	Belt housing	Belt housing	1
16	Jaw coupling 5	Lovejoy 1/2 L095	1
17	BLN-06-16	Lock nut 3/8"-16	1
18	140080-012-101731-101730	Hose 3/4 x 12 1/2" Long-NPT male 1/2, NPT male 3/4	1
19	GX160 Light	Engine Honda GX 160	1
20	53-001-012	Engine Support	1
21	Belt housing	Belt housing	1
22	190020	Filter Suction LTM -10-100	1



4000 lbs Hydraulic Winch on boom Parts List



TECHNICAL SPECIFICATION OF HYDRAULIC HOSE ASSEMBLIES

LOG LOADER	SKU	WINCH MODEL	ID	PART #	DESCRIPTION
90HD	58-008	4000 lbs on boom	A	140030-066-101820-101820	Hose assemblée 3/8" - 66" Lenght
			B	140030-070-101820-101820	Hose assemblée 3/8" - 70" Lenght
90HD+			A	140030-069-101820-101820	Hose assemblée 3/8" - 69" Lenght
			B	140030-073-101820-101820	Hose assemblée 3/8" - 73" Lenght

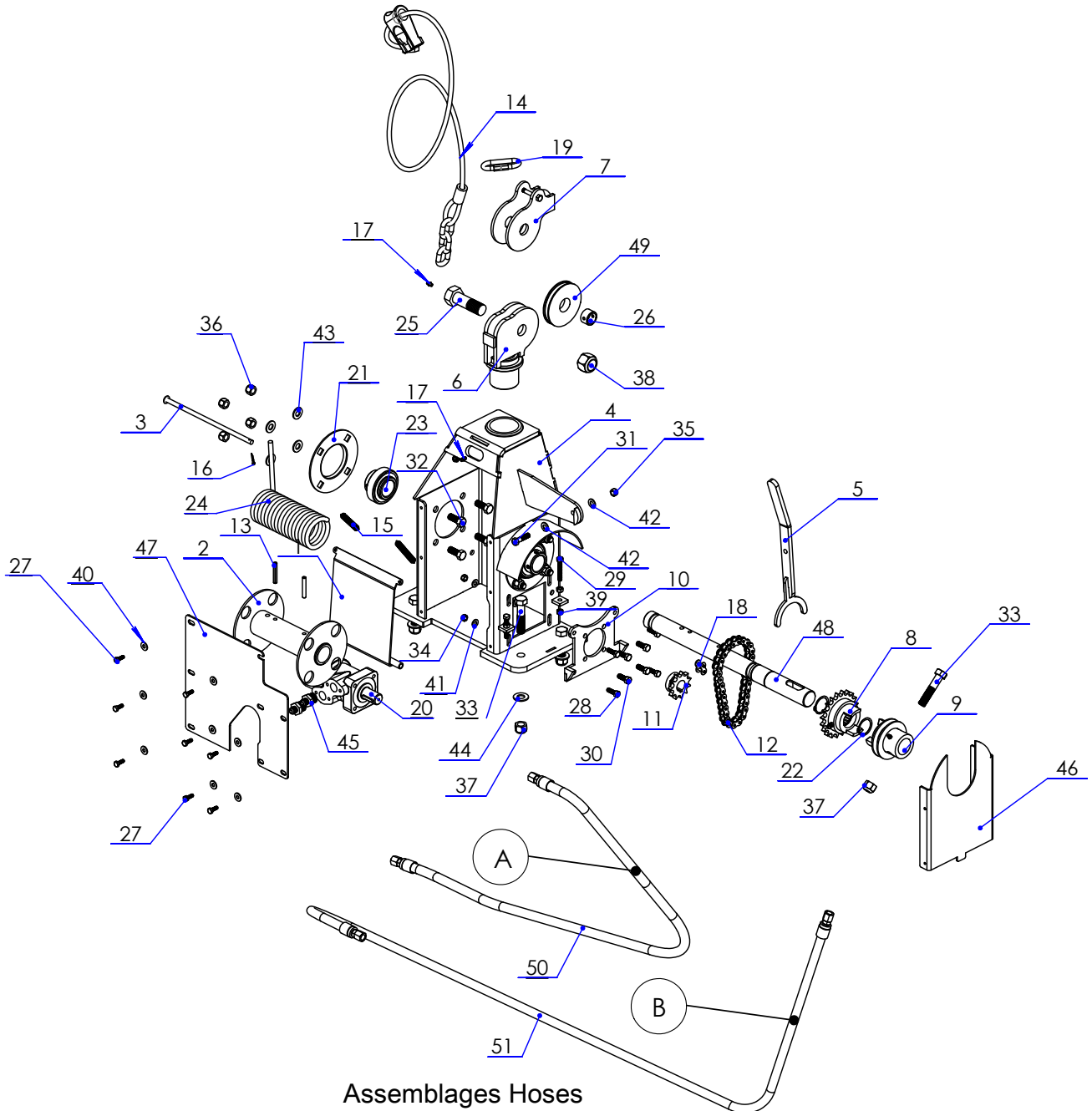


4000 lbs Hydraulic Winch on boom - Parts List

Item	Part #	Description	Qty
1	58-005-02	Clutch fork	1
2	58-000-07	Mobile clutch Winch large, medium, small	1
3	58-000-06	Fixed clutch Winch large, medium, small	1
4	58-000-09	Winch motor support	1
5	58-004-01	Winch tensioner	1
6	58-004-04	Cable tensioner fixing pin	1
7	58-004-02	Reel Winch	1
8	58-008-01	Winch Housing	1
9	58-000-03	Swivel head Large, Medium & Small	1
10	58-005-05	Cable guide attachment	1
11	58-000-04	Swivel wire guide Winch large, medium, small	1
12	58-005-013	Casing Winch large, medium	1
13	58-005-011	Protective cover of Winch	1
14	58-004-009	Shaft boom Winch	1
15	58-000-036	Winch cover	1
16	308910	Chain link Serie #50	1
17	58-000-024	Modified pulley	1
18	58-000-006	Modified bolt	1
19	300820	Bolt 1/4"-20 x 3/4" Lenght	10
20	300700	Bolt 5/16"-18 x 1" Lenght	4
21	300720	Bolt 5/16"-18 x 2" Lenght	2
22	300500	Bolt 3/8"-16 x 1" Lenght	4
23	300520	Bolt 3/8"-16 x 1 1/2" Lenght	2
24	300020	Bolt 1/2"-13 x 1 1/4" Lenght	8
25	300090	Bolt 1/2"-13 x 5" Lenght	4
26	300840	Bolt 5/8"-11 x 3" Lenght	1
27	301550	Nylon nut 3/8"-16	2
28	301560	Nylon nut 5/16"-18	4
29	301510	Nylon nut 1/2"-13	12
30	301570	Nylon nut 5/8"-11	1
31	301500	Nylon nut 1"-8	1
32	301850	Hex nut 5/16"-18	4
33	301400	Flat Washer 1/4" Narrow	1
34	301390	Flat Washer 5/16" Narrow	4
35	301310	Flat Washer 1/2" Narrow	8
36	150010	Gear #50-11 heavy duty	1
37	309080	Chain no 50 16 mesh	1
38	150151	Bearing flange UCPF 208-24 WOODBPFUC150 (duo) WINCH	2
39	108060	Hydraulic Motor 160cc	1
40	150040	Bearing Inserts	2
41	58-008-009	Bushing 3 1/4" O.D. x .375" (2.500" I.D.)	1
42	310020	Grease nipple right 1/4"-28	1
43	111000	Bushing 1 x .75	1
44	310880	Spring pin 5/16" O.D. x 2 1/4"	2
45	310831	Cotter pin 1/8 DIA. X 1/2" LG.	1
46	307036	Snap-Ring 1 1/2"	2
47	304000	Rope 1/4 dyneema 110'	1
48	310720	Forestry choker chain	1
49	140030-066-101820-101820	Hydraulic hose assembly 3/8" - 66" Lenght	1
50	140030-070-101820-101820	Hydraulic hose assembly 3/8" - 70" Lenght	1



Characteristic hydraulic winch on frame 4000 lbs



TECHNICAL SPECIFICATION OF HYDRAULIC HOSE ASSEMBLIES

LOG LOADER	SKU	WINCH MODEL	ID	PART #	DESCRIPTION
90HD	58-052	4000 lbs on frame	A	140030-028-101820-100001	Assemblage Hose 3/8" - 28" Lenght
			B	140030-030-101820-100001	Assemblage Hose 3/8" - 30" Lenght
90HD+			A	140030-028-101820-100001	Assemblage Hose 3/8" - 28" Lenght
			B	140030-030-101820-100001	Assemblage Hose 3/8" - 30" Lenght

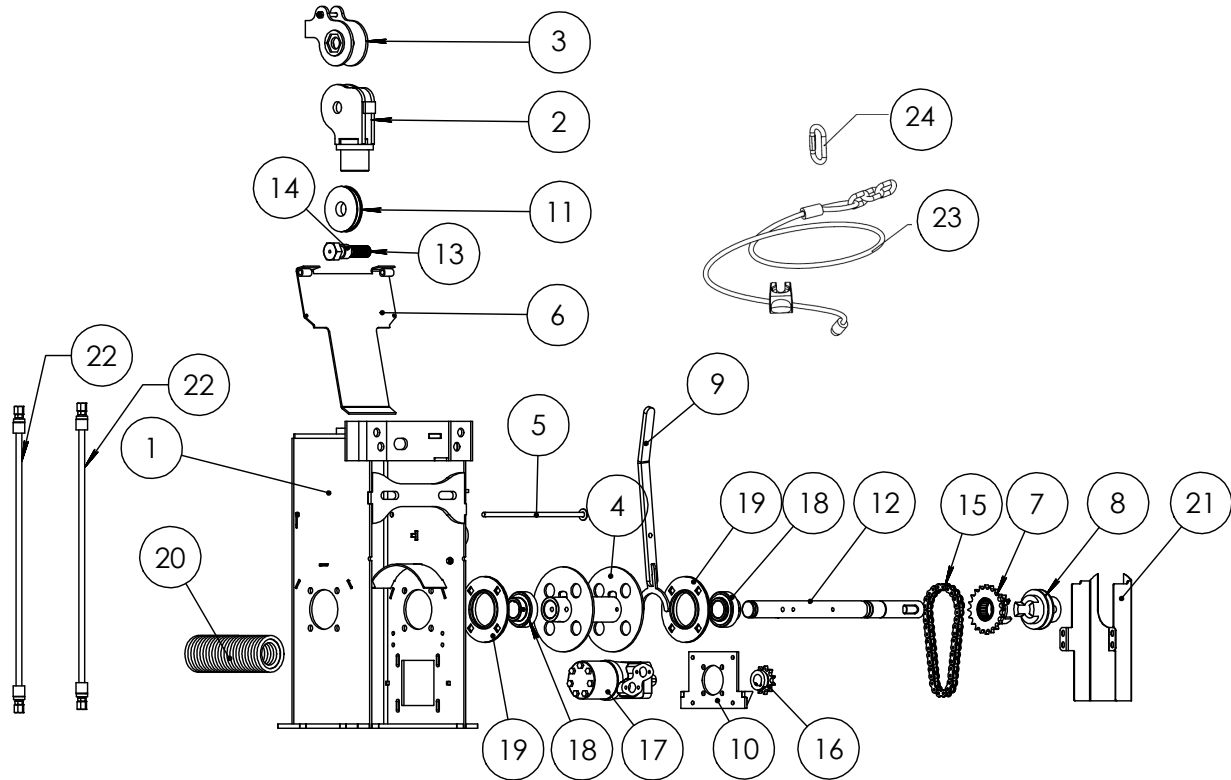


4000 lbs Hydraulic Winch on frame - Parts List

Item	Part #	Description	Qty
1	58-004-01	Winch tensioner	1
2	58-004-02	Reel winch	1
3	58-004-04	Cable tensioner fixing axis	1
4	58-052-01	Winch frame	1
5	58-052-02	Clutch fork arm large, medium	1
6	58-052-04	Winch head	1
7	58-000-04	Swing side snatch large, medium, small	1
8	58-000-06	Fixed Winch jaw clutch large, medium, small	1
9	58-000-07	Mobile Winch jaw clutch large, medium, small	1
10	58-000-09	Winch motor support	1
11	150010	Gear #50-11 heavy duty	1
12	309080	Chain no 50 16 mesh	1
13	310880	Spring pin 5/16" O.D. x 2"	2
14	310720	Forestry choker chain	1
15	309200	Spring - Extension type	2
16	310831	Cotter pin 1/8 DIA. X 1/2" LG.	1
17	310020	Grease nipple right 1/4"-28	2
18	308910	Chain link Serie #50	1
19	310725	Quick link	1
20	108060	Hydraulic Engine 160cc	1
21	150151	Bearing flange UCPF 208-24 WOODBPFUC150 (duo) WINCH	1
22	307036	Snap-Ring 1 1/2"	2
23	150040	Bearing "insert"	2
24	304000	Rope 1/4 dyneema 110'	1
25	B-16-08-64-36	Modified bolt	1
26	111000	Bushing 1 x .75	1
27	0	Bolt 1/4"-20 x 3/4" Lenght	8
28	300700	Bolt 5/16"-18 x 1" Lenght	4
29	300720	Bolt 5/16"-18 x 2" Lenght	2
30	300500	Bolt 3/8"-16 x 1" Lenght	4
31	300520	Bolt 3/8"-16 x 1 1/2" Lenght	1
32	300020	Bolt 1/2"-13 x 1 1/4" Lenght	8
33	300840	Bolt 5/8"-11 x 3" Lenght	5
34	301560	Lock nut 5/16"-18	4
35	301550	Lock nut 3/8"-16	1
36	301510	Lock nut 1/2"-13	8
37	301570	Lock nut 5/8"-11	5
38	301500	Lock nut 1"-8	1
39	301850	Hex nut 5/16"-18	4
40	301400	Flat washer 1/4" Broad	10
41	301390	Flat washer 5/16" Narrow	4
42	301350	Flat washer 3/8" Narrow	2
43	301310	Flat washer 1/2" Narrow	8
44	301360	Flat washer 5/8" Narrow	4
45	102710	Male 3/8" - JIC x Male 7/8" - ORB	2
46	58-052-011	Protective cover of Winch	1
47	58-052-036	Winch top	1
48	58-004-009	Shaft boom Winch	1
49	58-000-024	Modified pulley	1
50	140030-028-101820-100001	Hydraulic hose assembly 3/8" - 28" Lenght	1
51	140030-030-101820-100001	Hydraulic hose assembly 3/8" - 30" Lenght	1



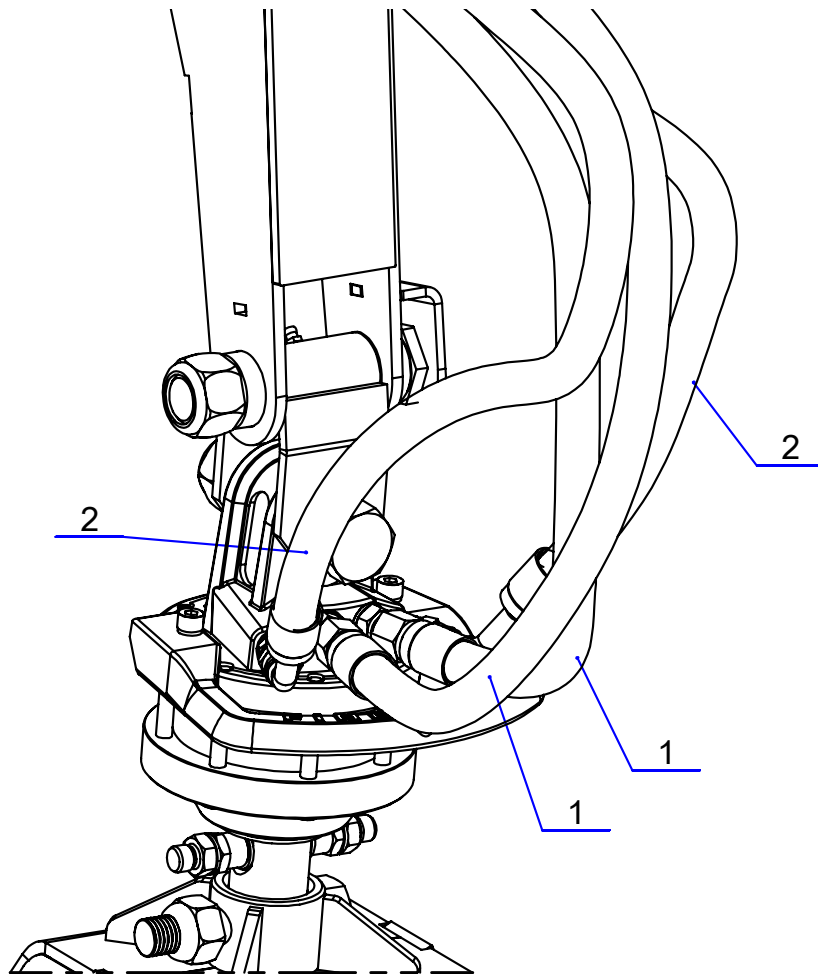
6000 lbs Hydraulic Winch Parts List



6000 lbs Hydraulic Winch - Parts List

Item	Part #	Description	Qty
1	58-013-01	26" Winch housing	1
2	58-013-04	Winch head	1
3	58-000-04	Swivel head fixation - Large, Medium, Small	1
4	58-000-05	Winch roller - Large, Medium	1
5	58-007-03	Cable tensioner pin	1
6	58-007-05	Winch tensioner - Large, Medium	1
7	58-000-06	Winch fixed clutch - Large, Medium, Small	1
8	58-000-07	Winch mobile clutch - Large, Medium, Small	1
9	58-000-08	Clutch arm - Large, Medium	1
10	58-000-01	Winch motor support - Large, Medium	1
11	58-000-024	Modified pulley	1
12	58-000-020	36" Winch roller axis	1
13	58-000-006	Modified bolt	1
14	Bush plast 1 1/4 ext x 1 int	Plastic tubing 1 1/4" O.D.	1
15	1RIV 50	Chain series #50 - 36 rollers	1
16	150010	Gear wheel #50-11 teeth heavy-duty	1
17	108070	Hydraulic motor 315 cc	1
18	150040	Bearing insert	2
19	150151	Flange bearing	2
20	304010	Nylon cable 5/16" x 110' long	2
21	58-005-011	Boom winch protector (Part)	1
22	140030-055-101820-101820	Hydraulic Hose 3/8	2
23	310720	Logging choker	1
24	310725	Quick link	1

Hydraulic hoses
Part no. 60-021

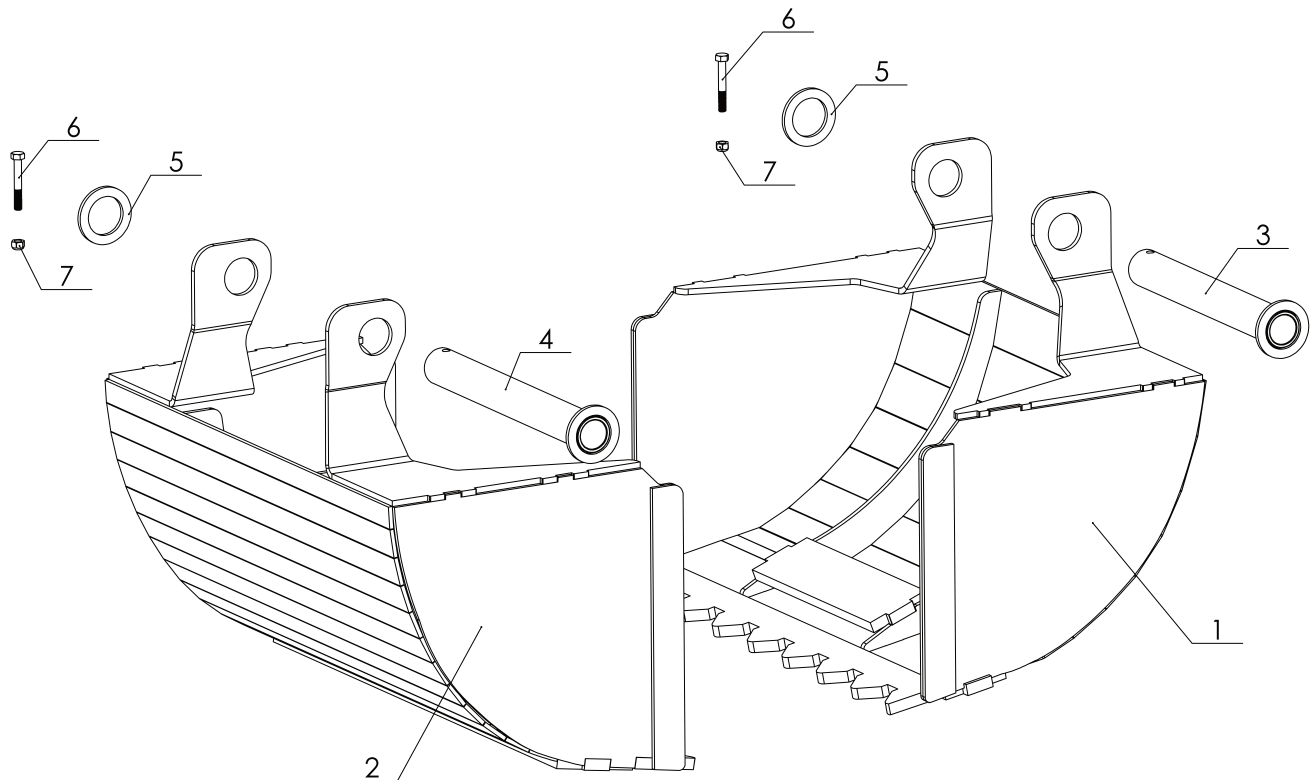


PARTS LIST - HYDRAULIC HOSES

ITEM	PART NO.	DESCRIPTION	QTY
1	140030-020-102200-102300	Assembly hose 3/8 x 20" - M20813-06-06 - M10510-06-06 for clame and rotor	2
2	140030-020-100300-102300	Assembly hose 3/8 x 20" - M20843-06-06 - M10510-06-06 for clame and rotor	2



20" Dipper Dredger for 28" Grapple
Part no. 57-026

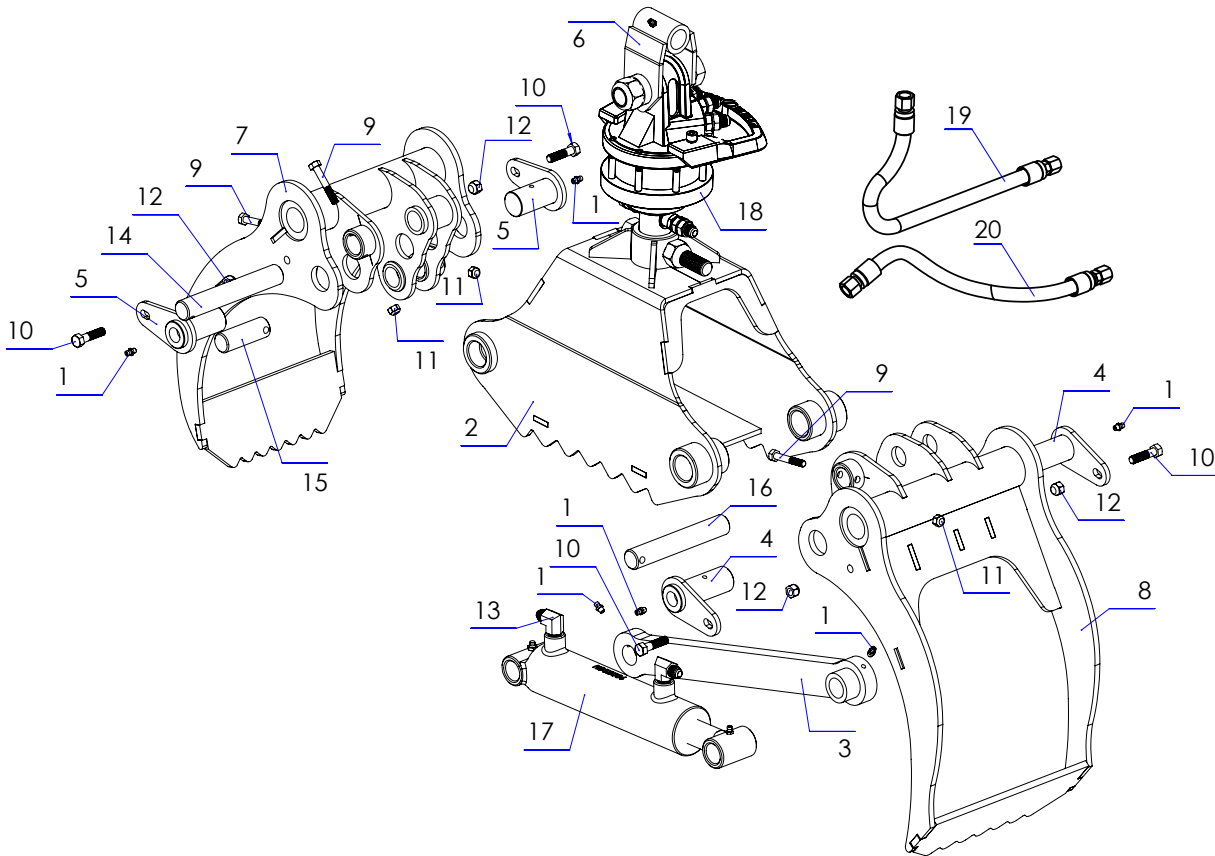


PARTS LIST - 20" DIPPER DREDGER ASSEMBLY FOR 28" GRAPPLE, PART NO.57-026

ITEM	PART NO.	DESCRIPTION	QTY
1	57-026-01	20" Dipper dredger bucket for 28" grapple, narrow jaw	1
2	57-026-02	20" Dipper dredger bucket for 28" grapple, wide jaw	1
3	57-026-03	Lock, narrow jaw	1
4	57-026-04	Lock, wide jaw	1
5	57-026-021	Washer	2
6	B-05-18-32-14	Bolt 5/16"-18 x 2" long	2
7	BLN-05-18	Lock nut 5/16"-18	2



Parts list grapple 28"



Part list - Grapple 28"

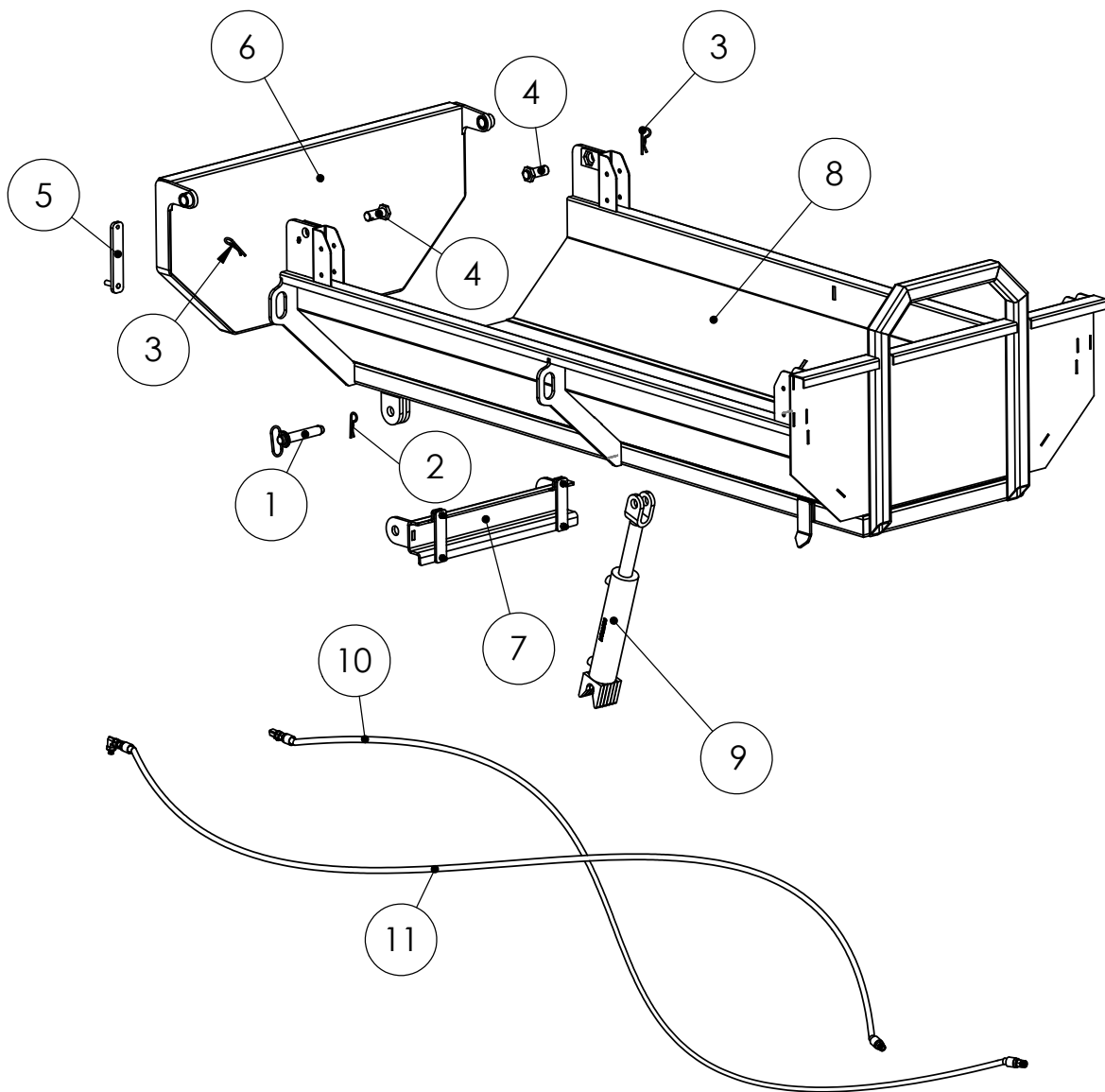
No.	Part #	Description	Qty
1	310020	Grease nipple 1/4"-28	6
2	57-022-01	Frame clamp 28" Hardox	1
3	57-022-03	Retraction arm 28" Hardox	1
4	57-022-04	Assembly pine pivot for clamp	2
5	57-022-05	Assembly pine pivot for clamp	2
6	57-022-06	Grappler link 28" (Welding assembly)	1
7	57-022-14	Interior clamp 28" Hardox	1
8	57-022-15	Exterior clamp 28" Hardox	1
9	300730	Bolt 5/16"-18 x 2" Lenght	3
10	300520	Bolt 3/8"-16 x 1 1/2" Lenght	4
11	301560	Nylon nut 5/16"-18	3
12	301550	Nylon nut 3/8"-16	4
13	100900	Serie 5405 - Elbow 90° - Male JIC 37° - Male NPT - 9/16" x 3/8"	2
14	57-022-017	Pivot shaft	1
15	57-022-026	Pivot shaft	1
16	57-022-027	Pivot shaft	1
17	120110	Hydraulic cylinder 2" Dia. x 6" Stroke	1
18	199311	Rotor CR 100-W25 A20-111	1
19	140030-020-101820-102200	Hydraulic hose assembly 3/8" - 20" Lenght	1
20	140030-016-101820-102200	Hydraulic hose assembly 3/8" - 16" Lenght	1



Gravel Bin 7' Part list

Part No. 59-166

(Old Lifting System)



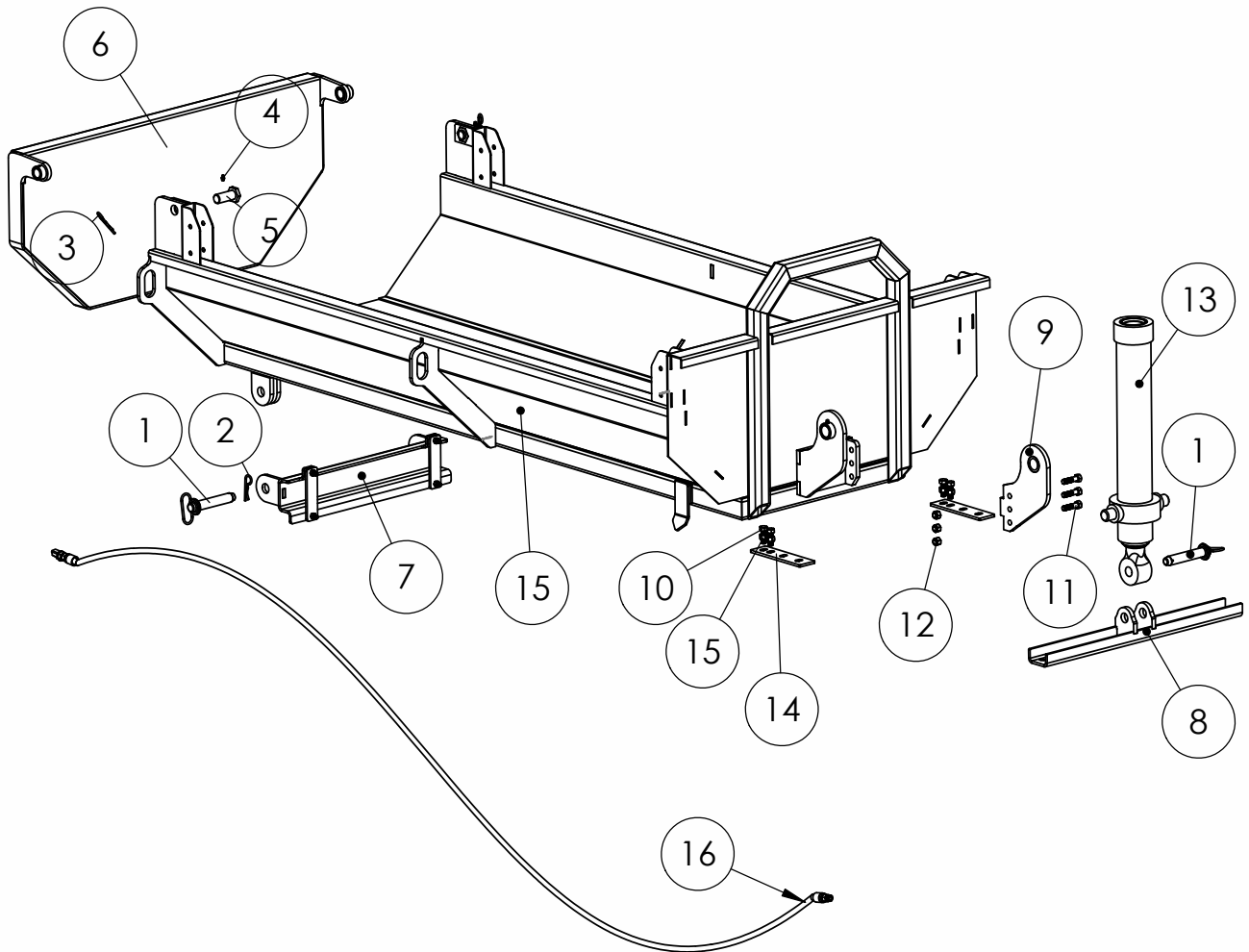


Gravel Bin 7' (Old Lifting System) Part No. 59-166
Part list

No.	Part No.	Description	Qty
1	310830	Hitch Pin forged 1" x 4 3/4" Long	3
2	310833	RK Pin 5/32 x 2 3/4" Long	2
3	310832	Shaped R-pin 3/16" x 3 1/4"	2
4	59-035-08	Pin Hinge Panel Gravel bin	2
5	59-064-03	Gravel box handle (REM 8-58 & 9-58)	-
6	59-093-05	30" Rear gravel bin door (7-52)	1
7	31-000-01	Rear pivot 8-52	1
8	59-166-04	Gravel bin 8-52	1
9	-	Hydraulic cylinder	1
10	59-093-057	Hydraulic hose assembly 3/8"	1
11	59-093-058	Hydraulic hose assembly 3/8"	1



Gravel Bin 7' Part list
Part No. 59-166
(New Lifting System)





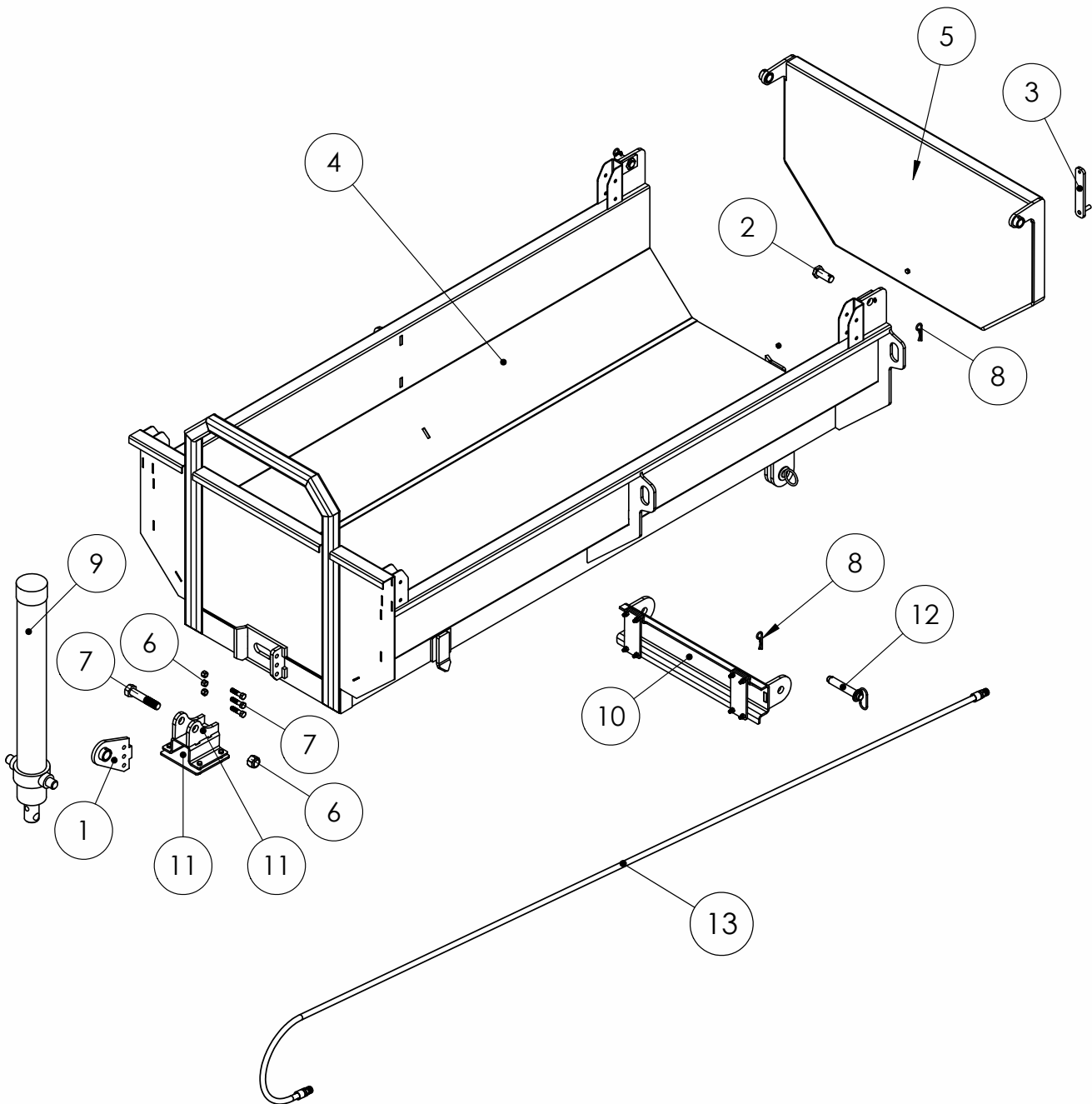
Gravel Bin 7' (Old Lifting System) Part No. 59-166
Part list

No.	Part No.	Description	Qty
1	310830	Hitch Pin forged 1" x 4 3/4" Lenght	3
2	310833	RK Pin 5/32 x 2 3/4" Lenght	2
3	310832	Shaped R-pin 3/16" x 3 1/4"	2
4	310020	Grease nipple 1/4"-28	2
5	59-035-08	Pin Hinge Panel Gravel bin	2
6	59-093-05	30" Rear gravel bin door (7-52)	1
7	31-000-01	Rear pivot 8-52	1
8	59-187-40	Frame cylinder retainer	1
9	59-187-41	Plate for hydraulic cylinder	1
10	300010	Bolt 1/2"-13 x 1 1/2" Lenght	4
11	300030	Bolt 1/2"-13 x 2" Lenght	3
12	301510	Nylon nut 1/2"-13	7
13	121101	7 Ton telescopic cylinder 60" stroke	1
14	59-166-004	Hydraulic cylinder retaining plate	2
15	59-166-04	Gravel bin 8-52	1
16	59-093-057	Hydraulic hose assembly 3/8"	1



Gravel Bin 8' Part list

Part No. 59-167





Gravel Bin 8' Part No. 59-167
Part list

No.	Part No.	Description	Qty
1	49-001-03	Removable cylinder fixing plate for 7 tonnes	1
2	59-035-08	Pin hinge gravel box panel	2
3	59-064-03	Gravel box handle (REM 8-58 & 9-58)	1
4	59-167-01	Gravel bin 8-58 & 9-58	1
5	59-094-04	Rear door gravel bin (REM 8-58 & 9-58)	1
6	BLN-16-08	Nylon nut 1"-8	5
7	B-16-08-80-36	Bolt 1"-8 x 5" Lenght	4
8	DA3070-60	Shaped R-pin 3/16" x 3 1/4"	4
9	HTC-09033	7 Ton telescopic hydraulic cylinder 90" stroke	1
10	59-000-54	Rear pivot gravel bin 9-58	1
11	59-000-55	7 Ton Cylinder pivot 90", for trailer 9-58	1
12	DA-5050-21	Hitch Pin forged 1" x 4 3/4" Lenght	2
13	140030-144-101740-101740	Hydraulic hose assembly 3/8" - 144" Lenght	1



Operation

Generalsafetyrules:

Read this instruction manual carefully before starting the loader. The technical data in this manual contains important information. Improper use can result in injury and damage to the machine .

Using a loader requires increased knowledge and experience. You must learn and know the behavior of the loader and practice using it. Study and practice the movement patterns with small loads until you master the machine completely. Stop all operations immediately if any bystanders enter the work zone (20 m).

Woody loaders are intended for normal use in the agricultural and forestry sectors. They must be used only by persons trained in the handling of this type of machinery.

- . Before connecting the loader to the tractor's hydraulic system, you must read the tractor's instruction manual to ensure proper connections.
- . Be extremely careful when connecting the loader to the tractor or the trailer to the tractor, as well as when detaching it.
- . When operating, make sure everyone remains in the safety zone, outside of the loader risk area. The operator must have full visibility of the work zone.
- . When operating, do not insert your hand or any other part of your body into the machine or under the load. Do not risk getting stuck between the different parts of the log loader or between the tractor and the trailer.
- . Do not forget to raise the stabilizers before moving the equipment.
- . When loading, always engage the tractor handbrake.
- . Never leave the boom in a raised position without having control of the loader.
- . Never use the loader to pull, push or hit.
- . Be particularly careful when loading and unloading heavy materials.
- . Never use the loading device during transport.
- . To stop the machine, lower the loader boom and grapple on a firm surface, turn off the engine, engage the handbrake and remove the key from the ignition to prevent unauthorized use.
- . The loader is not intended for lifting people.
- . Be very careful when loading or unloading near high voltage lines. Keep a safe distance from live cables.



Safety Instructions

If the overload protection of the hydraulic system is not properly adjusted or certain system functions are altered, safety cannot be ensured.

- . Always lower the hydraulic stabilizers before each operation to avoid overturning.
- . Always check that any unauthorized personnel remains outside the work risk area.
- . Never stand under a suspended load.
- . Make sure that the tractor and trailer are always on firm ground so that there is no risk of overturning. When loading, use the stabilizers to prevent tilting of the loader.
- . Make sure you always have a visual view of the work area.
- . Do not work in conditions where you may get your fingers caught or hurt yourself.

When there is a risk of overturning, immediately lower the stick boom with the control lever.

- . Hold the lever in this position until the load is on the ground. Do not interrupt the lowering movement as the risk of overturning will increase if the load stops abruptly.
- . If the tractor rolls over, follow the instructions in the cab. Do not jump out of the cab. You could end up under the load during a fall or under the tractor.

Note: Even if the stabilizers have been lowered to the ground, the risk of overturning is greater when the trailer is empty or partially loaded.

Cracks in hydraulic hoses

- . In the event of pressure loss in the hydraulic fluid or cracks in the hydraulic hoses, you must immediately shut down the tractor engine and lower the load to the ground. Stop the hydraulic flow. Repair the leak.
- . If the main pressure hose between the tractor and the control system is cracked, you must interrupt the oil flow by disconnecting the lever control associated with the tractor's hydraulic distributor or by shutting off the engine with the OFF button.



Safety Instructions

Driving on the Road

Observe the following instructions to avoid any risk of accident.

Position During Transport

- . If there is no load, position the loader boom as low as possible on the trailer. Make sure that the grapple and the rotator are firmly attached to the trailer, so that there is no risk of the loader rolling over during transport.
- . Make sure that none of the additional equipment connected to the loader is likely to cause an accident during transport.

Control is Important

- . You must constantly control the machine at all times and in all situations.
- . Check that the "slow vehicle" plate and the reflective signals are correctly positioned. Check if the trailer lights are functioning correctly and check the tire pressure.
- . The total permitted weights (in particular the weight of the axle) and the transport dimensions must never be exceeded.
- . You must adapt your speed to the driving situation. Drive with caution when one side is tilted, as well as on sloping ground. There is a risk of over turning.
- . Respect the laws of the road and applicable regulations.
- . The braking distance of a tractor equipped with a trailer is longer than for other vehicles, beware of the risk of skidding and check for irregularities in the road.
- . Secure the load and other loose parts securely.

Oil and Grease Caution

- . Avoid any oil or grease contact with the skin during maintenance. Wear appropriate protective clothing.
- . Never wash your hands with lubricating oil or grease. It may damage your skin. If your skin is irritated after contact with oil or grease, contact a doctor immediately.
- . When servicing, waste oil should be disposed of in accordance with local regulations.



Safety Instructions

Welding Repair

. If a repair or modification requires the welding of certain parts, you must first contact your dealer for necessary instructions. Improper welding or negligence during welding can cause sudden machine breakdowns.

Working in Extreme Conditions

. The recommended ambient temperature for the operation of this machine is between $-20\text{ }^{\circ}\text{C}$ and $+30\text{ }^{\circ}\text{C}$. Low or high temperatures result in increased wear and stress on joints and hoses. In addition, steel wears faster, and cracks can occur.

. When working in extreme conditions, reduce loads to prevent damage. In case of low temperature let the hydraulic oil circulate freely during several minutes. Then operate each

1 times to soften the joints and hoses before applying full pressure. When it is extremely hot, pay attention to the oil temperature. A temperature above $80\text{ }^{\circ}\text{C}$ alters the properties of the oil and damages joints and hoses.

Maintenance and Servicing Safety Instructions

. Regular maintenance and service ensure optimal and cost effective operation.

. Note: Failure to follow the instructions in this manual will void all warranties related to this machine. Regular and proper maintenance are a prerequisite for warranty coverage.

. Read the instructions before servicing the machine. Each maintenance task requires reading and following instructions. Maintenance and lubrication should be done at the recommended intervals.

. Always use tools suitable for the maintenance / servicing tasks involved. Wear protective clothing and glasses.

. Shut off the tractor engine and remove the ignition key. If the engine has to run during certain maintenance operations, please stay away from any moving parts of the machine.

. Be extremely careful with pressurized oil. Oil under high pressure easily penetrates the skin. In case of accident, consult a doctor immediately.



Safety Instructions

Maintenance and Servicing Safety Instructions

- . Hot oil can cause burns. Inhalation of hot oil vapor can cause breathing difficulties.
- . If a hose bursts and you get oil on your skin, it is not dangerous. However, avoid oil contact with eyes and nose. If you get oil in your eyes or in your respiratory tract, contact a doctor immediately.
- . Keep explosive and flammable liquids away from sparks and open flames.

Daily inspections

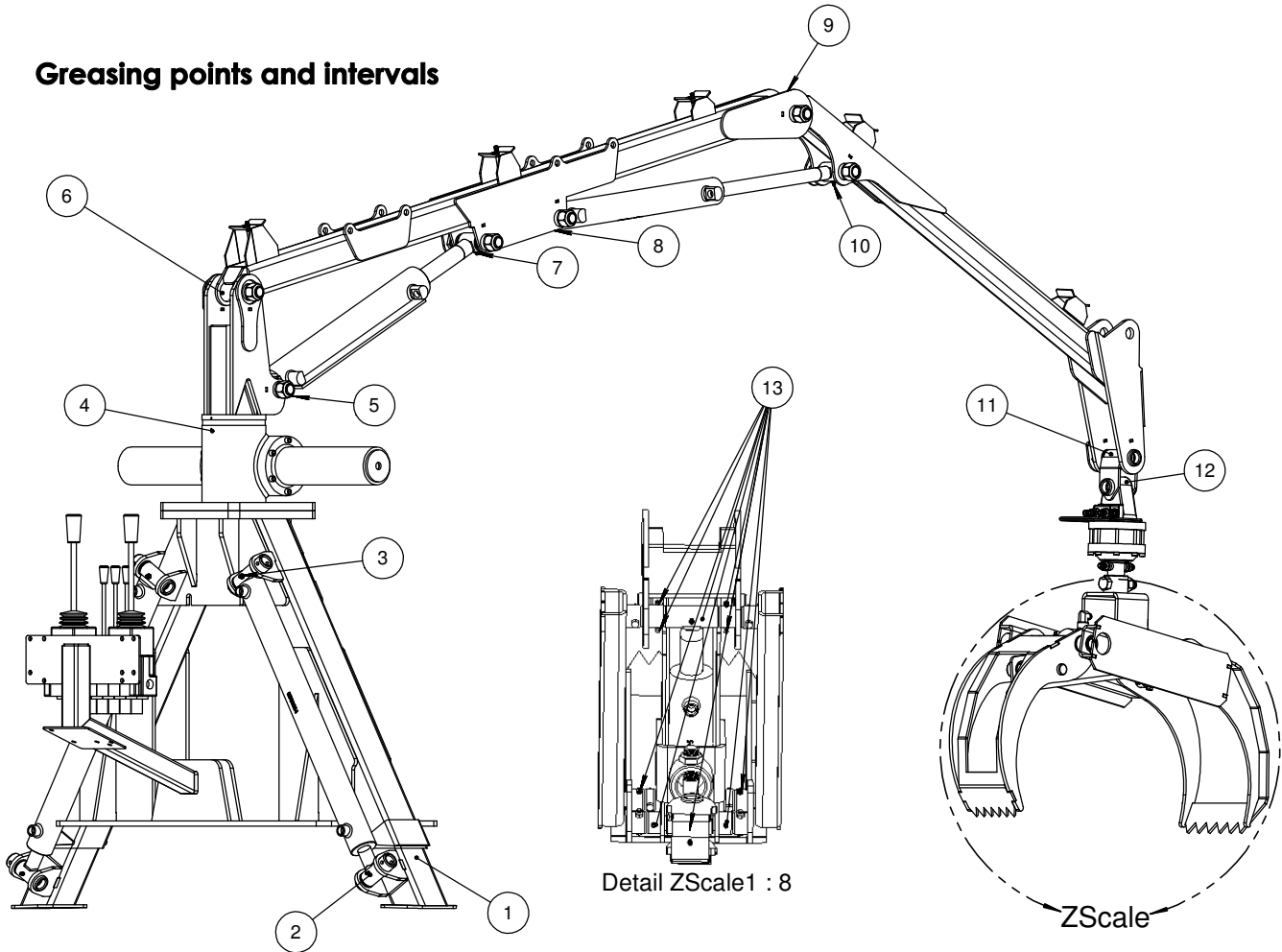
It is important to inspect the equipment daily. If you notice a defect, you must repair it immediately.

- . When under load pressure, worn bolts can provoke a risk of rupture. If cracks are detected on the loader, any operation in progress must be stopped immediately.
- . Damaged hoses must be replaced immediately. Check for leaks. Oil leaks create a risk of accidents and can harm the environment.
- . Check the bolts and tighten the bolts if necessary.
- . Perform the various movement patterns of the loader to verify that all functions are intact and working properly.



Safety Instructions

Greasing points and intervals

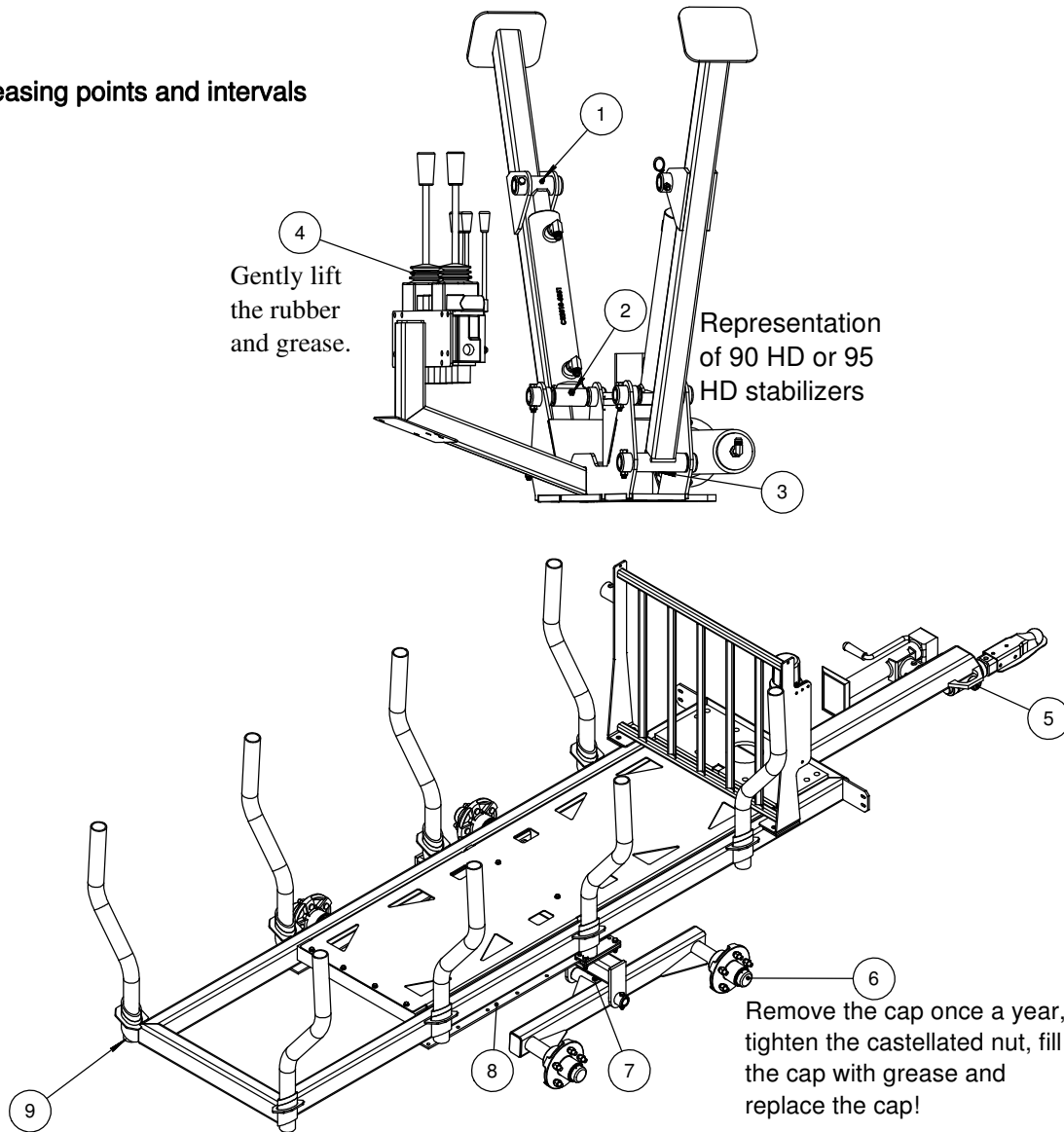


Item	Greasing point	Lubricating oil	Greasing Interval hourly / yearly
1	Stabilizer	Bushing grease	Once a year, generously
2	Cylinder pin	Bushing grease	Once a year
3	Cylinder pin	Bushing grease	Once a year
4	Pinion	Bushing grease	Every 10 hours
5	Cylinder pin	Bushing grease	Every 10 hours
6	Main boom pin	Bushing grease	Every 10 hours
7	Cylinder pin	Bushing grease	Every 10 hours
8	Cylinder pin	Bushing grease	Every 10 hours
9	Main boom pin	Bushing grease	Every 10 hours
10	Cylinder pin	Bushing grease	Every 10 hours
11	Grapple yoke pin	Bushing grease	Every 10 hours
12	Rotator pin	Bushing grease	Every 10 hours
13	Grapple pins	Bushing grease	Every 5 hours



Safety Instructions

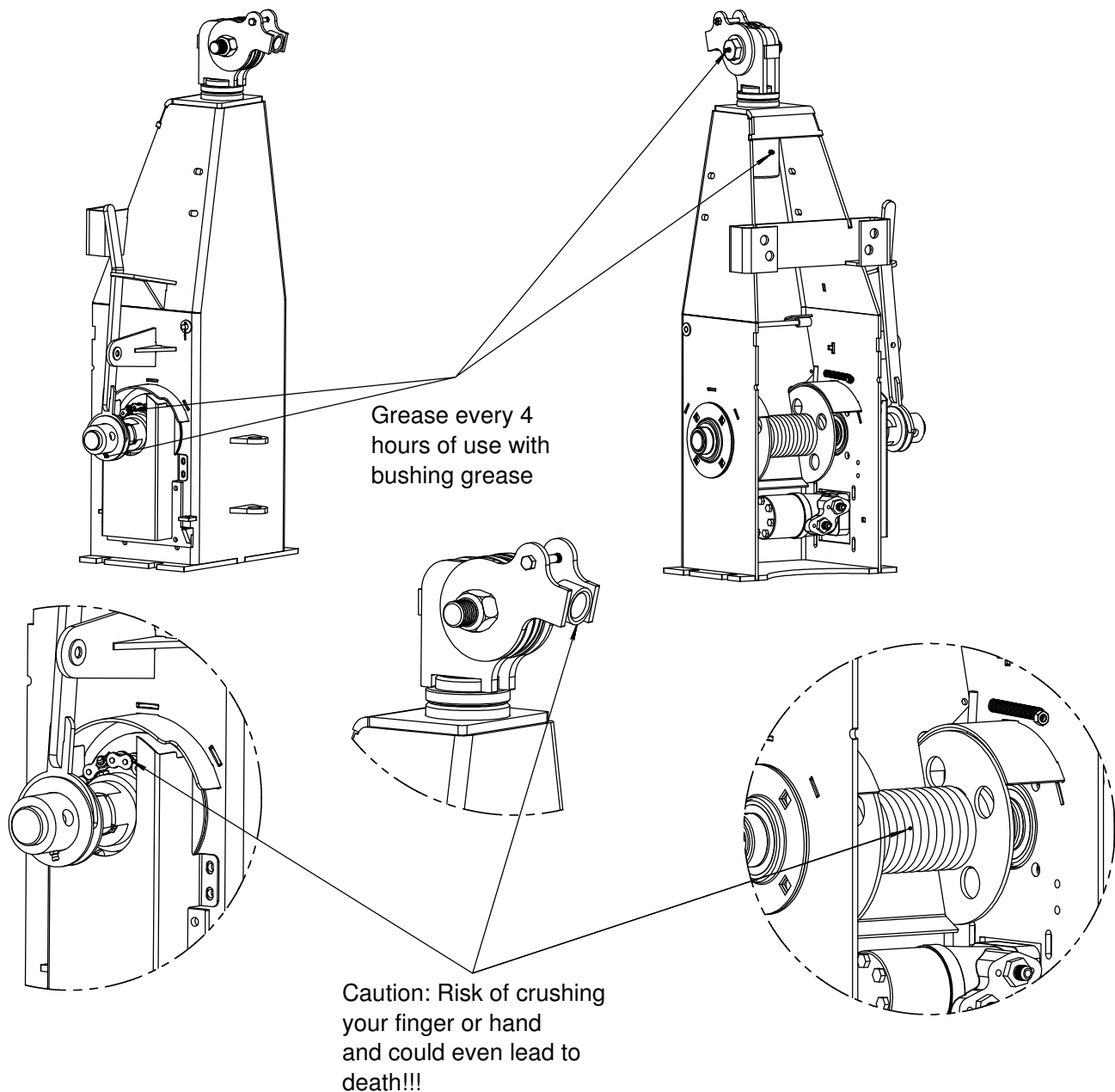
Greasing points and intervals



Item	Greasing point	Lubricating oil	Greasing Interval hourly / yearly
1	Stabilizer pin	Bushing grease	Every 10 hours
2	Stabilizer pin	Bushing grease	Every 10 hours
3	Stabilizer pin	Bushing grease	Every 10 hours
4	Control ball joints	Bearing grease	Every 50 hours or yearly
5	Column pins	Bushing grease	Every 10 hours
6	Hub 3500 lb.	Bearing grease	Every 50 hours or yearly
7	Tandem pin	Bushing grease	Every 10 hours
8	Hydraulic axle slide	Bushing grease	Every 50 hours or yearly
9	Posts	Bushing grease	One a year



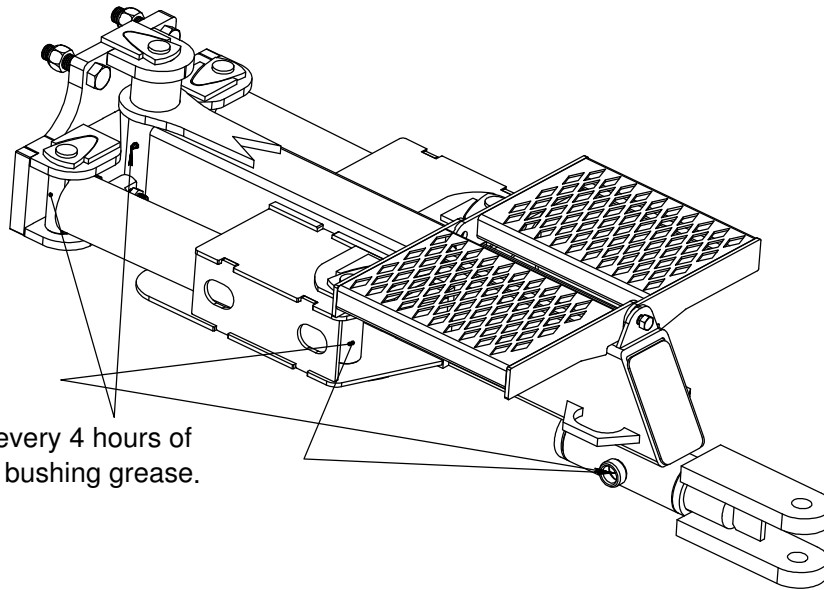
Maintenance and safety instructions for proper use of the 6000 lbs hydraulic winch



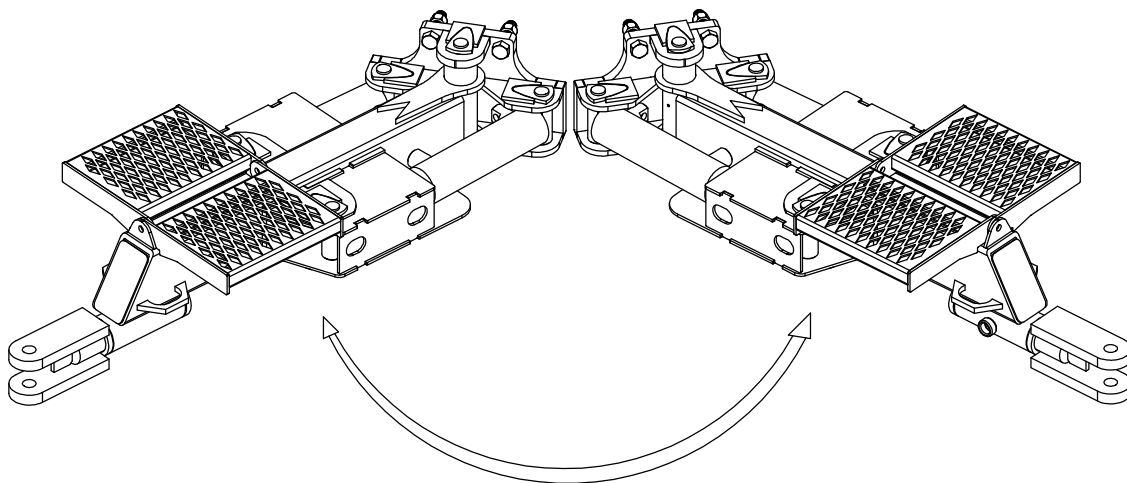


Maintenance and safety instructions for proper use of a single drawbar

(Image for illustrative purposes only)



Grease every 4 hours of
use with bushing grease.



Make sure that no one is standing in
the perimeter and also make sure no
one is standing on the step!



Safety Instructions

Storage

If you plan to stop using the loader for a long period of time, it should be cleaned carefully. Note that high pressure cleaning is not recommended! After cleaning, make a visual inspection for any cracks (if you find any, you must have them repaired before the next use of the loader) all grease nipples must be lubricated. The grease is used to evacuate water and thus neutralize corrosion and wear.

- . Store the loader under a roof. If this is not possible, cover it with a tarpaulin.
- . Place loader boom and grapple in the transport position.

Note: A stored loader is not a play area for children.



1 YEAR LIMITED WARRANTY

Les Équipements Woody Inc.

Warranty Qualifications

Les Équipements Woody Inc. (hereinafter referred to as "Woody") warrants its Log Loader (hereinafter referred to as the "Product") against defects in material or factory workmanship, subject to all the terms and conditions stated herein.

All Products manufactured by Woody and used for domestic purposes (excluding commercial and industrial use) are covered by a one (1) year warranty applicable from the purchase date, except in particular cases when the warranty might be modified according to adjustments specified on the sales contract.

The warranty extends only to the original purchaser (hereinafter referred to as the "Buyer") of the Product and not to other purchasers or transferees unless agreed to in writing by Woody that the mechanical and electrical components will be free of defects in material and workmanship for the warranty period. The warranty covers all the parts of the new Product, except the hydraulic hoses, the hydraulic fittings and the electrical wires, and includes the labor performed by Woody or by a Woody authorized Dealer (hereinafter referred to as the "Dealer").

Warranty Repair and Replacement Service

All warranted repairs must be performed by Woody or by an authorized Dealer with the written consent of Woody, otherwise the warranty will be voided. Woody reserves the right to either repair or replace, without cost to the buyer any part judged defective on grounds of defective materials or workmanship. It also reserves the right to determine if the defect resulted from lack of maintenance or incorrect or abusive use of the Product.

In the event of any failure caused by a defect in material or in factory workmanship covered by this warranty, the Buyer shall: (1) notify Woody of the nature of the problem without delay; (2) stop using or operating the Product, unless authorized in writing by Woody.

Warranty service shall be performed at the point of purchase of the Product either by Woody or by a Dealer using parts provided by Woody.

If the Product was purchased directly from Woody, the Buyer shall return either the Product or the defective parts "prepaid" to Woody without delay. If Woody deems that the parts are in fact defective, it shall repair or replace the parts and, when the Product is returned to Woody, install them free of charge to the Buyer.

If the Product was purchased from a Dealer, Woody shall provide the replacement parts to the Buyer through the intermediary of the Dealer. The Dealer shall install the parts and return the replaced parts to Woody, "prepaid" by the Buyer, within thirty (30) days of the repairs. The parts and their installation shall be without charge to the Buyer providing that the replaced parts are proven defective to Woody's satisfaction.

In all cases, all costs related to the transportation of parts or of the Product to and from Woody or the Dealer, any premium charged for overtime labor requested by the Buyer or for any service and/or maintenance shall be the sole responsibility of the Buyer.

All parts replaced under the warranty shall remain the property of Woody.

If the Buyer fails to follow any of the above procedures or if the parts are not proven to be defective to Woody's satisfaction, the Buyer shall not benefit from the warranty.



No Dealer Warranty

The Dealer has no authority to make any representation or promise on behalf of Woody, or to modify the terms or limitations of this warranty in any way.

Warranty Exclusions

This warranty does not cover the following:

Product needs periodic parts and service to perform well. This warranty does not cover repair when normal use has exhausted the life of a part or the equipment as a whole or by lack of reasonable and proper maintenance, by lack of proper protection during storage, by failure to follow operating instructions and/or failure to operate the Product according to the specifications outlined by Woody.

This warranty does not apply to damage caused to the Product or machinery by the Buyer or Dealer during installation of the Product or due to improper installation of the Product.

This warranty will not apply to parts and/or labour if this Product is deemed to have been misused, neglected, involved in an accident, abused or defects caused by any alteration or modification of the Product not approved in writing by Woody.

Other Exclusions

This warranty excludes:

- Cosmetic defects such as paint, decals, etc.
- Any damage resulting from overturning the machine.
- Failures due to acts of God and any other major force events beyond Woody's control.
- Problems caused by parts that are not original Woody parts.
- Certain parts are guaranteed by their respective manufacturer.

Limits of Implied Warranty and Consequential Damage

Woody disclaims any obligation to cover any material or personal damages, including loss of time, loss of income use of this Product, replacement rental, freight or any other damages caused by a defective Product or any incidental or consequential claim by anyone from using this Product.

Contact information

Address

Les Équipements Woody Inc.
205 rue Commerciale
Saint-Odilon (QC)
Canada G0S 3A0

www.equipementswoody.com

Parts and Service

T. 418 464-2748
F. 418 464-2746
info@equipementswoody.com