

**Woody Log Loader  
Operator's Manual  
Models 90 HD - 95 HD  
- 105 HD**

Woody Equipment Inc., 205 rue Commercial, Saint-Odilon-de-Cranbourne, Quebec, Canada G0S3A0  
T. (418) 464-2748 F. (418) 464-2746 Email: ewoody@sogetel.net <mailto:ewoody@sogetel.net>  
Website: [www.equipementswoody.com](http://www.equipementswoody.com) <<http://www.equipementswoody.com/>> Facebook:  
Equipements Woody



**Woody Equipment Inc.  
Owners: Jerome and Sebastien Labbe**

**205 rue Commerciale  
Saint-Odilon-de-Cranbourne  
Beauce-Nord, Quebec,  
Canada G0S 3A0**

**T. (418) 464-2748  
F. (418) 464-2746**

**Email: [ewoody@sogetel.net](mailto:ewoody@sogetel.net)  
<<mailto:ewoody@sogetel.net>>  
Website: [www.equipementswoody.com](http://www.equipementswoody.com)  
<<http://www.equipementswoody.com/>>  
Facebook: Les Equipements Woody**

## **Woody Equipment Inc.**

© All Rights Reserved: Woody Equipment Inc. of Saint-Odilon-de-Cranbourne.  
No part of this manual may be reproduced in any form without the written permission of Woody Equipment Inc.



## Table of Contents

Introduction.....	1
Warning.....	2
Characteristic of the loader 90 HD.....	3
90 HD Loader Parts List.....	4
Characteristic of the loader 95 HD.....	5
95 HD Loader Parts List.....	6
Characteristic of the loader 105 HD.....	7
105 HD Loader Parts List.....	8
Caractetistic of the trailer 7-52.....	9
Characteristic of the trailer 8-58.....	10
Characteristic of the trailer 9-58.....	11
Characteristic Hydraulic power unit 5.5.....	12
4000lb hydraulic winch parts list.....	13
6000lb hydraulic winch parts list.....	14
Parts list grapple 28".....	15
Operation.....	16
safety Instructions.....	17-25



## Introduction

Congratulations on your purchase of a Woody Log Loader. Woody Equipment designs and manufactures equipment according to very strict criteria. This equipment is intended for professional use in the agricultural and forestry sectors.

Even if you have experience with this type of product, we recommend that you read these instructions carefully. These instructions contain important information on safety and efficiency and to ensure the validity of the factory guarantee.

Woody Equipment reserves the right to modify and / or improve its equipment and maintenance instructions, as well as to revise data without notice.

Write down the serial number, model number, purchased date, dealer name, and sales representative's name. Keep this information available for ordering parts as well as for any technical assistance or warranty issue.

Serial number	
Model	
Purchased date	
Dealer	
Sales representative	



# Warning

The following symbols used in this manual are to warn the operator of the dangers connected to the use of this machinery. Follow the safety instructions to avoid any risk of serious injury or death.

	<b>AVERTISSEMENT</b>
	<b>CHUTE DE LA CHARGE OU DES MÂTS</b> Peut causer de graves blessures ou la mort. Ne jamais déplacer la charge ou les mâts au-dessus du personnel.
	<b>WARNING</b>
	<b>FALLING BOOM OR LOAD</b> Can cause severe injuries or death. Do not move boom or load over people.
<small>ALFACOLLA TUBEL 76L 76 006 20</small>	

	<b>AVERTISSEMENT</b>
	<b>RISQUE D'ECRASSEMENT</b> Les stabilisateurs peuvent causer de graves blessures ou la mort. Gardez le personnel éloigné des stabilisateurs.
	<b>WARNING</b>
	<b>CRUSHING HAZARD</b> Stabilizers can cause severe injuries or death. Keep bystanders away from stabilizer zone.
<small>ALFACOLLA TUBEL 76L 76 006 20</small>	

	<b>AVERTISSEMENT</b>
	<b>MACHINE INSTABLE</b> Toujours opérer la chargeuse avec les stabilisateurs abaissés sur un sol ferme et au niveau. Assurez- vous d'avoir une stabilité adéquate.
	<b>WARNING</b>
	<b>UNSTABLE MACHINE</b> Do not operate loader without lowering the stabilizers on firm level ground and checking for adequate stability.
<small>ALFACOLLA TUBEL 76L 76 006 20</small>	

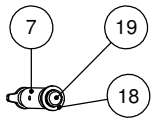
	<b>DANGER</b>
	<b>ÉLOIGNEZ-VOUS STAY AWAY</b>
<small>ALFACOLLA TUBEL 76L 76 006 20</small>	

	<b>AVERTISSEMENT</b>
<small>Cet opérateur de cette chargeuse doit être qualifié et entraîné avant d'opérer cet équipement. Observez les lois fédérales et provinciales sur les règlements de sécurité concernant certains travaux particuliers à effectuer. Ne jamais dépasser les recommandations techniques recommandées de la chargeuse ou de l'attachement. Il est important de suivre les instructions sur les relevés de sécurité. Informez et instruisez le personnel d'opérateur de la chargeuse et ceux des opérations techniques, sinon des blessures ou même la mort peuvent en résulter.</small>	
	<b>WARNING</b>
<small>Any operator of this loader must be fully trained and qualified to do so. Observe all state or provincial safety regulations relating to the particular work being performed. Never exceed recommended technical specifications of the loader or its attachments. Injury, including death may result from failure to follow this warning and/or the information contained in the loader operator's manual/technical specifications sheet.</small>	
<small>ALFACOLLA TUBEL 76L 76 006 20</small>	

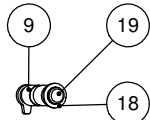
<b>DANGER 20M ZONE AREA</b>
---------------------------------



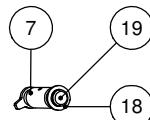
## Characteristic of the loader 90-HD



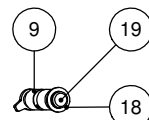
DETAIL G  
SCALE 1 : 11



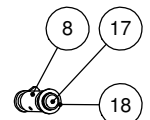
DETAIL F  
SCALE 1 : 11



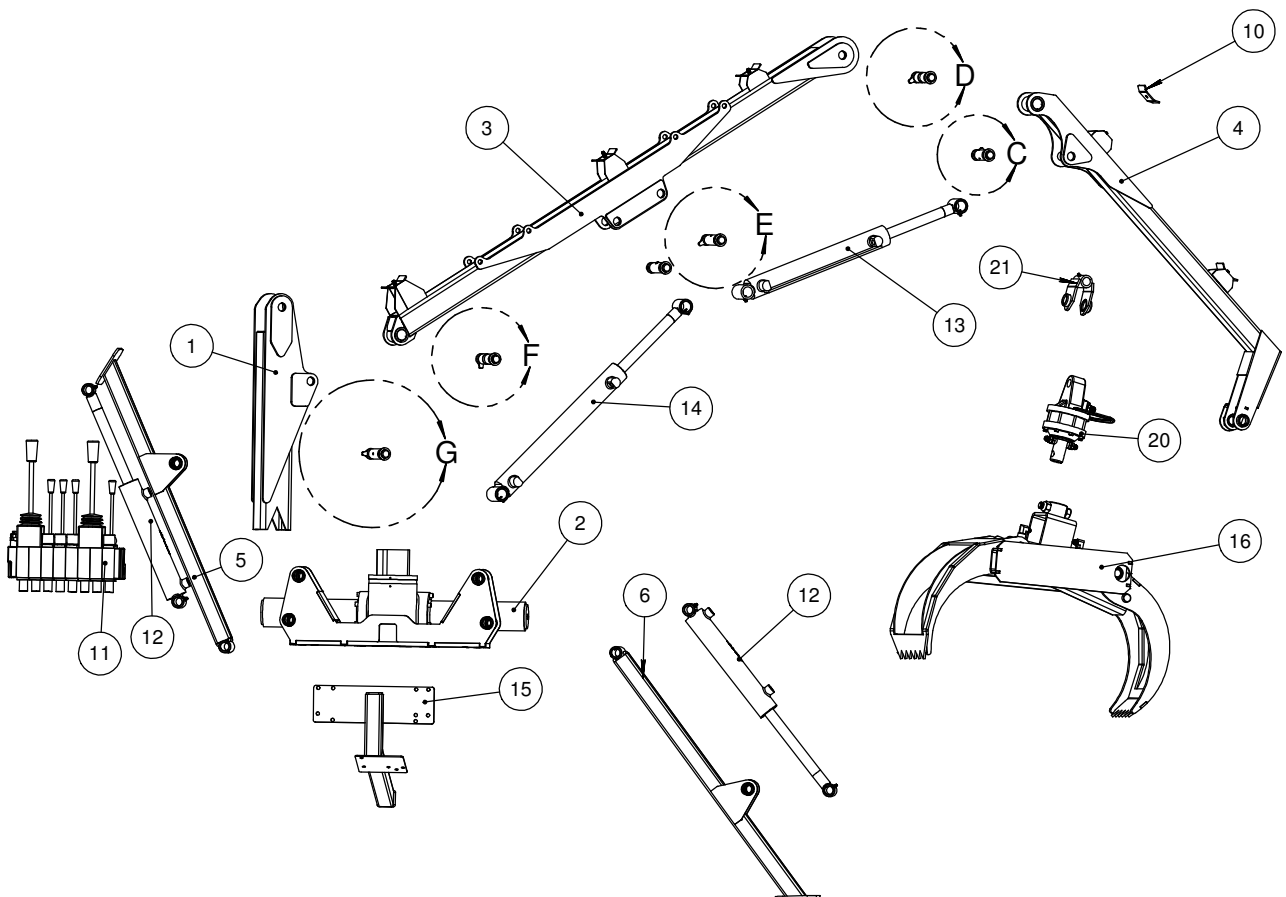
DETAIL E  
SCALE 1 : 11



DETAIL D  
SCALE 1 : 11



DETAIL C  
SCALE 1 : 11



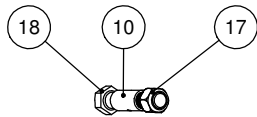


## 90 HD Loader Parts list

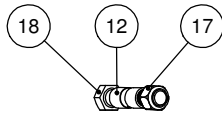
item	Parts#	Description	Qty
1	60-024-04	Loader column	1
2	60-024-08	Pinion W-CR-850	1
3	60-024-05	Loader main boom	1
4	60-024-06	Loader stick boom 90 HD	1
5	60-024-02	Left stabilizer	1
6	60-024-01	Right stabilizer	1
7	60-000-060	Hose lock	5
8	20-024-07	Main boom cylinder lock	1
9	20-024-03	Main boom cylinder lock	5
10	60-025-15	SALAMI hydraulic valve support	1
11	60-035-022	Washer	6
12	60-024-03	Grapple yoke	1
13	89-20-16-44-D22-00	Plastic tubing 1 1/4" O.D.	3
14	89-20-16-36-D18-00	Plastic tubing 1 1/4" O.D.	1
15	89-20-16-48-D24-00	Plastic tubing 1 1/4" O.D.	2
16	130260	8-section mono-block	1
17	120132	Hydraulic cylinder 2" dia. x 10" stroke	2
18	120152	Hydraulic cylinder 2" dia. x 10" stroke	1
19	120162	Hydraulic cylinder 2" dia. x 16" stroke	1
16	57-006	28" Grapple	1
21	199311	CR-100 Rotator	1



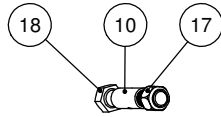
# Characteristic of the loader 95-HD



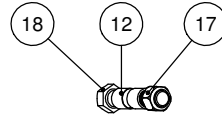
DETAIL M  
SCALE 1 : 11



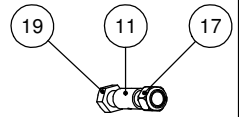
DETAIL L  
SCALE 1 : 11



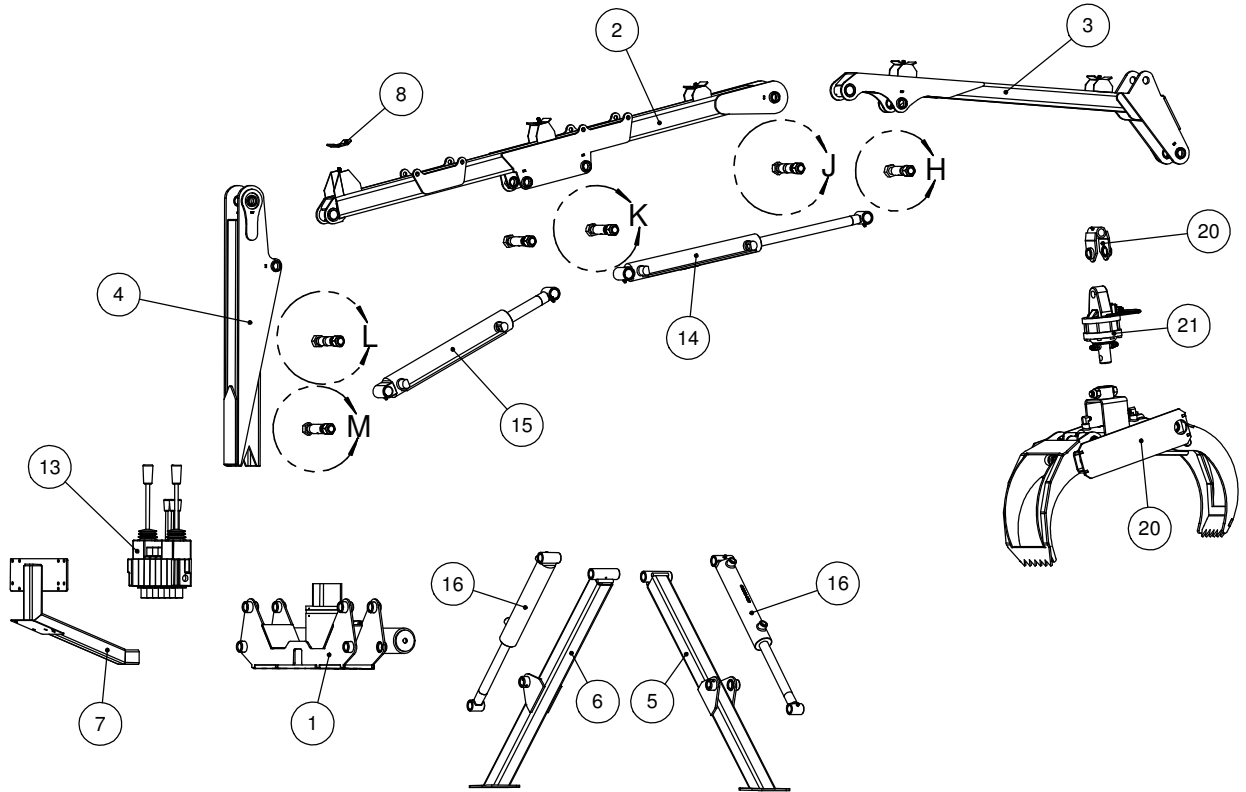
DETAIL K  
SCALE 1 : 11



DETAIL J  
SCALE 1 : 11



DETAIL H  
SCALE 1 : 11





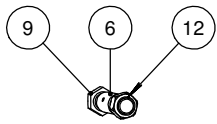


## 95-HD Loader Parts list

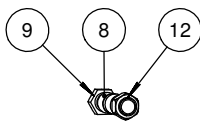
<b>ITEM</b>	<b>Part #</b>	<b>Description</b>	<b>Qty</b>
1	60-025-01	Pinion assembly	1
2	60-025-02	Loader main boom 95 HD	1
3	60-025-03	Loader stick boom 95 HD	1
4	60-025-04	Loader column 95 HD	1
5	60-025-05	Right stabilizer 95-HD	1
6	60-025-06	Left stabilizer 95-HD	1
7	60-025-15	SALAMI hydraulic valve support	1
8	60-000-060	Hose lock	5
9	60-024-03	Grapple yoke	1
10	89-20-16-44-D22-00	Plastic tubing 1 1/4" O.D.	3
11	89-20-16-36-D18-00	Plastic tubing 1 1/4" O.D.	1
12	89-20-16-48-D24-00	Plastic tubing 1 1/4" O.D.	2
13	130230	Anti-shock Q25/7 control	1
14	120162	Hydraulic cylinder 2" dia. x 16" stroke	1
15	120322	Hydraulic cylinder 2" dia. x 16 stroke	1
16	120132	Hydraulic cylinder 2" dia. x 10" stroke	2
17	301500	Nylon nut 1"-8	6
18	300340	Bolt 1"-8 x 7" Long x 2 1/2" threads	5
19	300330	Bolt 1"-8 x 6 1/2" Long x 2 1/2" threads	1
20	57-006	28" Grapple	1
21	199311	CR-100 Rotator	1



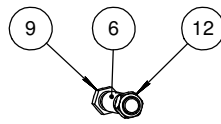
# Characteristic of the loader 105-HD



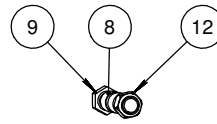
DETAIL U  
SCALE 1 : 11



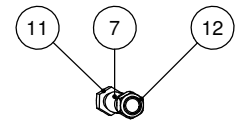
DETAIL T  
SCALE 1 : 11



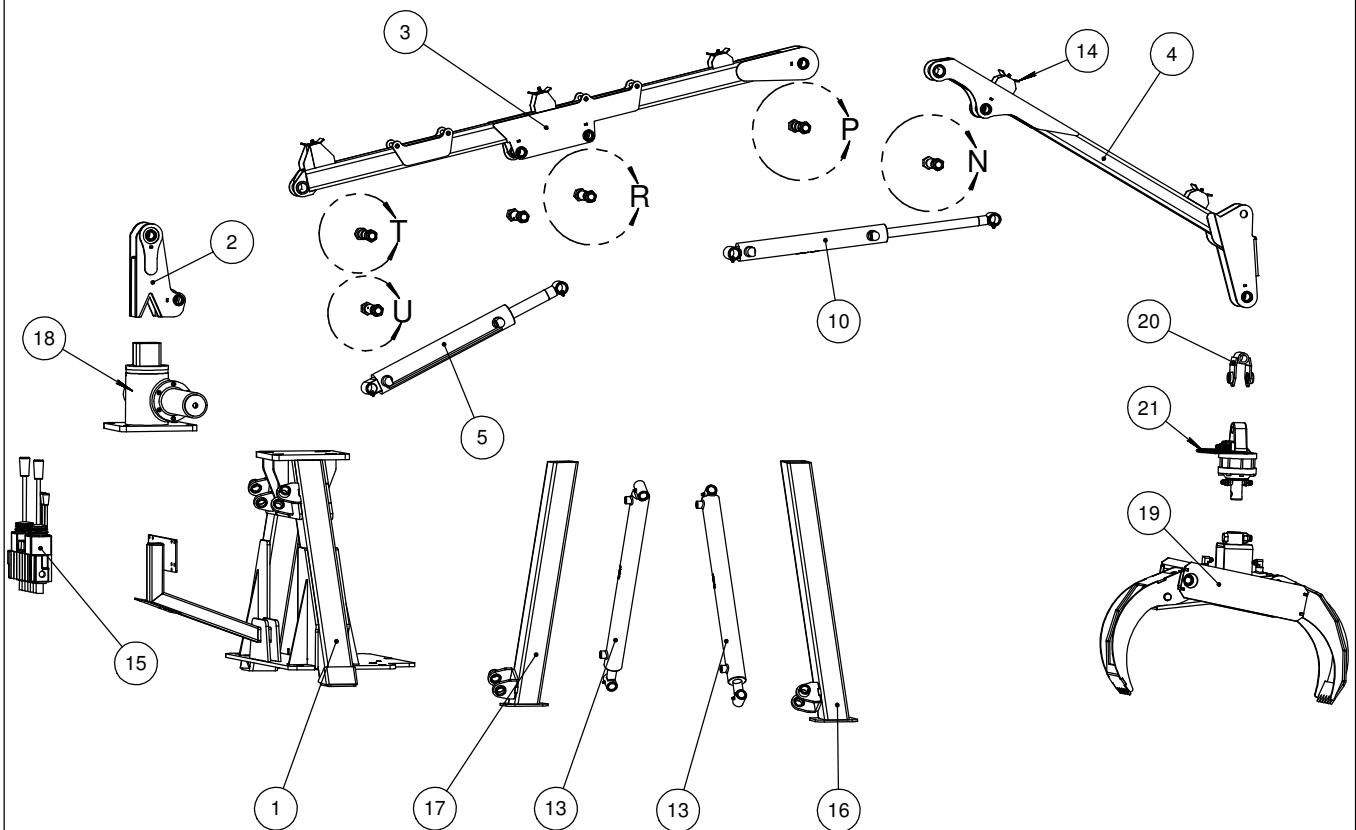
DETAIL R  
SCALE 1 : 11



DETAIL P  
SCALE 1 : 11



DETAIL N  
SCALE 1 : 11



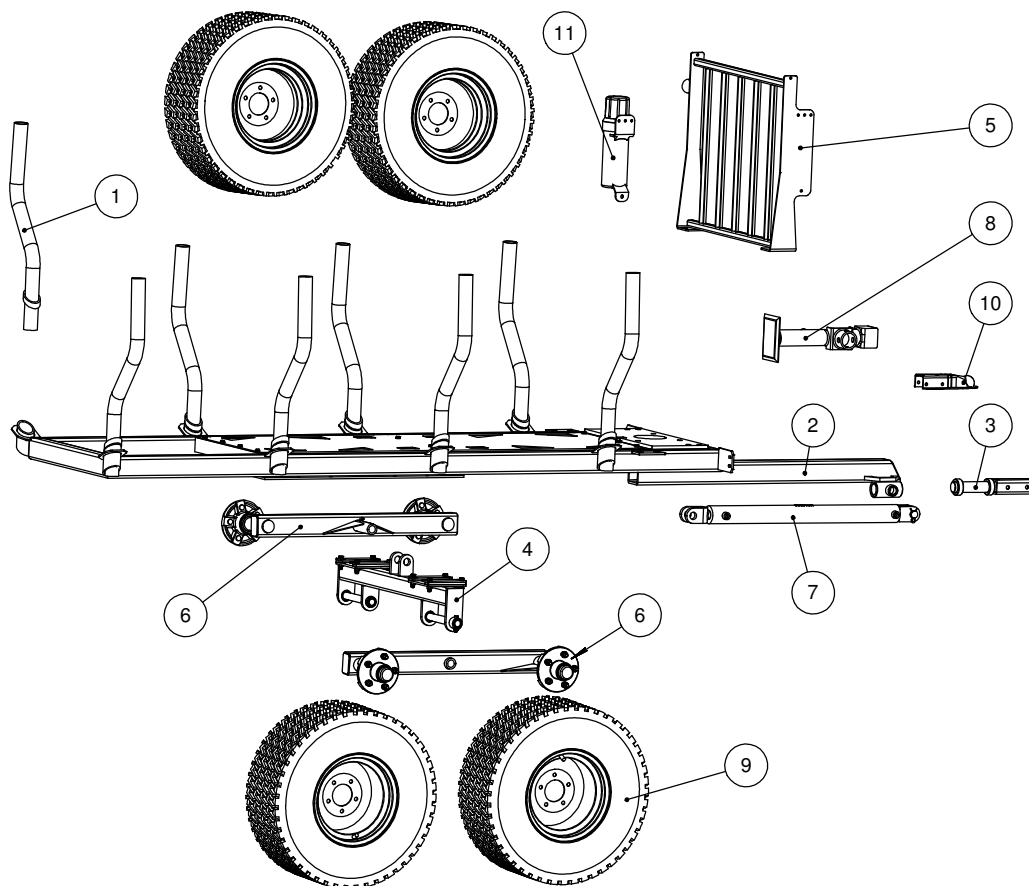


**105 HD loader  
Parts list**

<b>Item</b>	<b>Part#</b>	<b>Description</b>	<b>Qty</b>
1	60-042-01	Loader A-frame	1
2	60-042-02	Loader column	1
3	60-042-03	Main boom 105-HD	1
4	60-042-04	Stick boom 105-HD	1
5	60-042-05	Right stabilizer	1
6	60-042-06	Left stabilizer	1
7	60-024-03	Grapple yoke	1
8	60-000-060	Hose lock	5
9	89-20-16-44-D22-00	Plastic tubing 1 1/4" O.D.	3
10	89-20-16-36-D18-00	Plastic tubing 1 1/4" O.D.	1
11	89-20-16-48-D24-00	Plastic tubing 1 1/4" O.D.	2
12	300340	Bolt 1"-8 x 7" Long x 2 1/2" Threads	5
13	300330	Bolt 1"-8 x 6 1/2" Long x 2 1/2" threads	1
14	301500	Nylon nut 1"-8	6
15	120190	Hydraulic cylinder 2" x 24" stroke	2
16	120322	Hydraulic cylinder 2-1/2" x 16" stroke	1
17	120162	Hydraulic cylinder 2" Dia. x 16" stroke	1
18	130230	Ant-shock Q25/7 control	1
19	110020	Pinion assembly	1
19	57-006	28" Grapple	1
21	199311	CR-100 Rotator	1



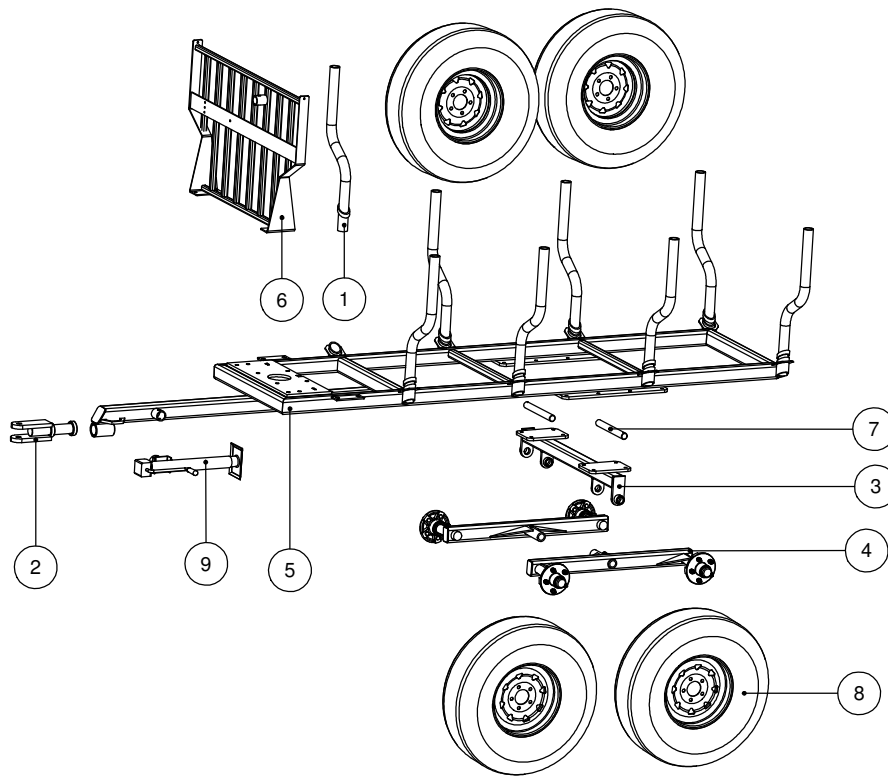
## Characteristic of the trailer 7-52



Item	Part #	Description	Qty
1	59-019-09	7-52 Trailer post	8
2	59-019-07	7-52 Frame	1
3	59-019-06	Swivel pole	1
4	59-019-03	Hydraulic axle	1
5	59-019-08	Protective grid	1
6	59-019-05	7-52 Tandem	2
7	120191	Hydraulic cylinder	1
8	303010	Trailer Jack-3000 or 2000lbs	1
9	302210	25-10-12 Tire 6 ply 5 nuts	4
10	310670	Hitch	1
11	400500	Document holder	1



## Characteristic of the trailer 8-58

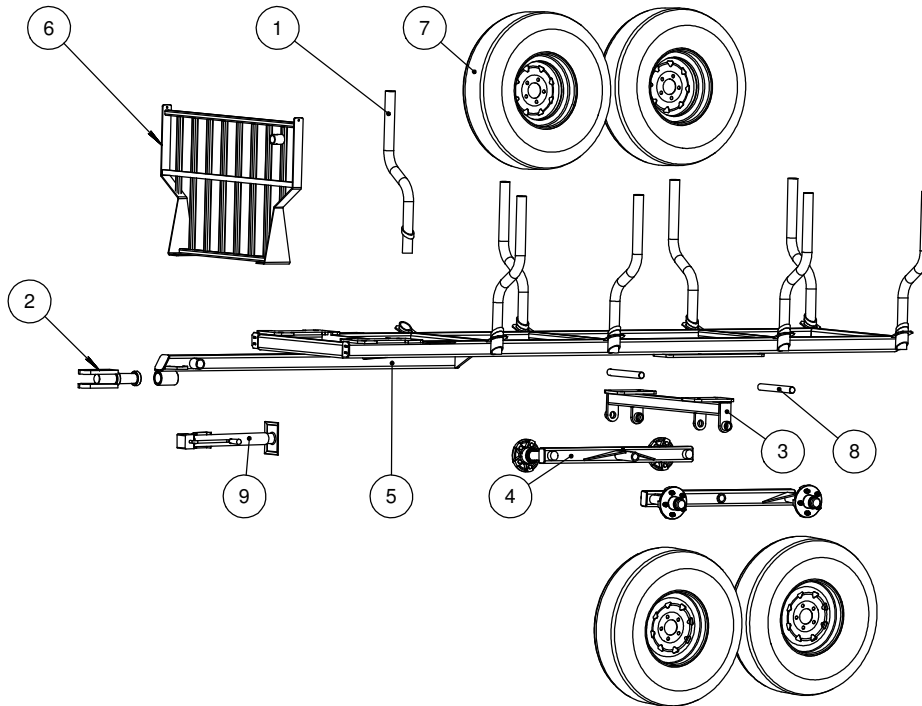


### 8-58 Trailer with 11L15 Tires Parts list

Item	Part#	Description	Qty
1	59-020-07	8-58 Trailer post	8
2	59-020-05	Hitch	1
3	59-006-04	8-58 tandem trailer hub 3500lb	1
4	59-020-08	Tandem trailer hub 3500 lb	2
5	59-020-01	8-58 Forestry trailer frame	1
6	59-020-06	8-58 Protective grid	1
7	86-20-173-E08-00	Rod 1 1/4" O.D.	2
8	302000	11L15 tire 8 ply 5 Nuts 3500lb	4
9	303020	Trailer Jack -6000 ou 5000 lb	1



## Characteristic of the trailer 9-58

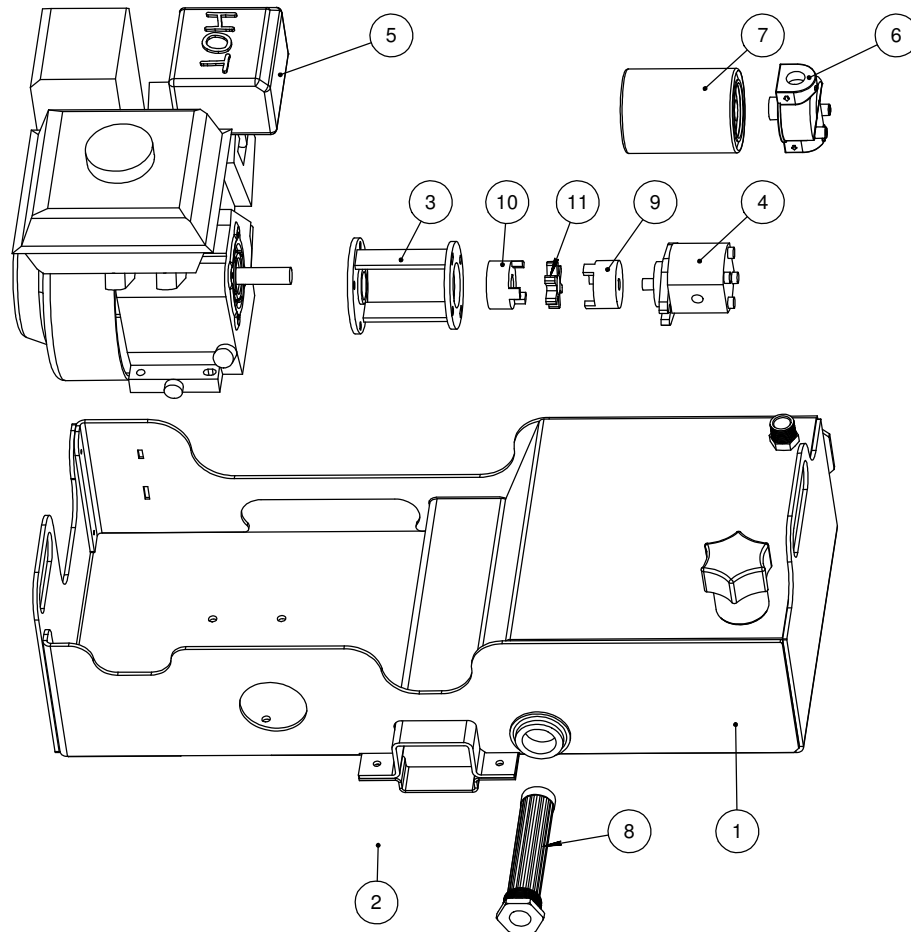


### 9-58 Forestry trailer with 11L15 tires parts list

Item	Part #	Description	Qty
1	59-020-07	8-58 Trailer post	8
2	59-020-05	Hitch	1
3	59-128-04	Bolted adjustable axle	1
4	59-020-08	Tandem trailer hub 3500 lb	2
5	59-128-01	9-58 Forestry trailer frame	1
6	59-128-02	9-58 Protective grid	1
7	302000	11L15 Tire 8 ply 5 Nuts 3500lb	4
8	86-20-173-E08-00	Rod 1 1/4" O.D.	2
9	303020	Trailer jack 6000 or 5000 lb	1



## Characteristic hydraulic power unit

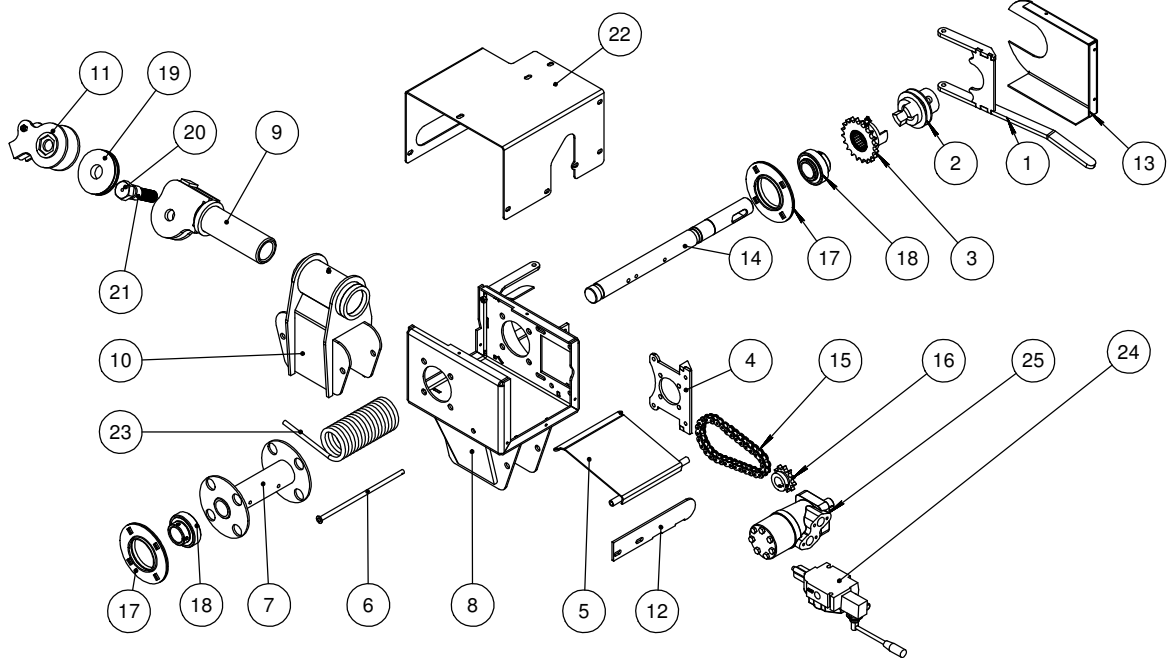


### 5.5HP Hydraulic power unit Parts list

Item	Part #	Description	Qty
1	53-001-01	5.5hp power unit base	1
2	53-001-025	Fixation plate	1
3	106000	Bell housing	1
4	108200	Galtec pump, 2 gal/min	1
5	108010	5.5HP Motor	1
6	190060	CP-750-10P Oil filter head	1
7	190050	CP-750-10P Oil filter	1
8	190020	Pre-Filtered LTM -10-100	1
9	140320	Coupling 1/2"	1
10	140340	Coupling 3/4"	1
11	140360	Love joy insert L095	1



## 4000 lb. Hydraulic Winch Parts list



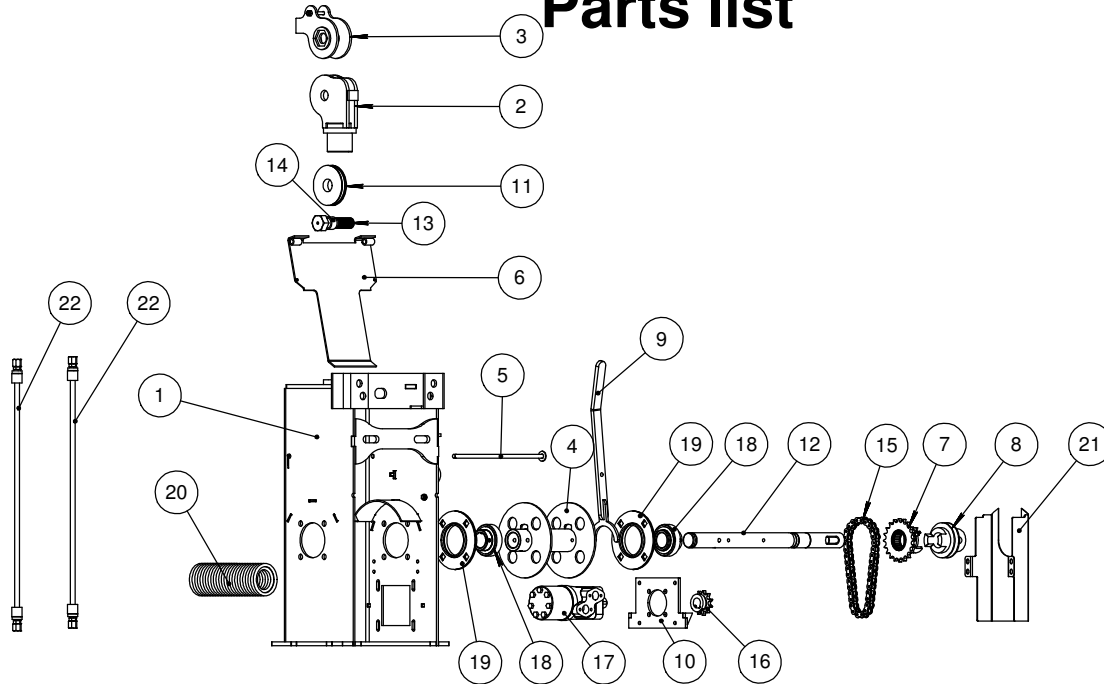
### 4000 lb. Hydraulic Winch Parts List

Item	Part #	Description	Qty
1	58-005-02	Clutch fork	1
2	58-000-07	Winch mobile clutch- Large, Medium, Small	1
3	58-000-06	Winch fixed clutch- Large, Medium, Small	1
4	58-000-09	Winch motor support	1
5	58-004-01	Winch tensioner	1
6	58-004-04	Cable tensioner fixation pin	1
7	58-004-02	Winch roller	1
8	58-008-01	Winch housing	1
9	58-000-03	Swivel head- Large, Medium, Small	1
10	58-005-05	Cable guide fixation	1
11	58-000-04	Swivel head fixation- large, Medium, Small	1
12	58-005-013	Winch housing- large, Medium	1
13	58-005-011	Boom winch protector	1
14	58-004-009	Boom winch shaft	1
15	309080	Chain, no. 50, 16 links	1
16	150010	Gear wheel #50-11 teeth heavy-duty	1
17	150151	Flange bearing	2
18	150040	Bearing insert	2
19	58-000-024	Modified pulley	1
20	B-16-08-64-36	Modified bolt	1
21	89-20-16-12	Plastic tubing 1 1/4" O.D.	1
22	58-000-036	Winch cover	1
23	304000	Cable 1/4 Dynima 110'	1
24	SAL 623100110	Salami vdm6 hydraulic valve, 1 section	1
25	108060	160 cc Hydraulic motor	1





## 6000 lb. Hydraulic Winch Parts list

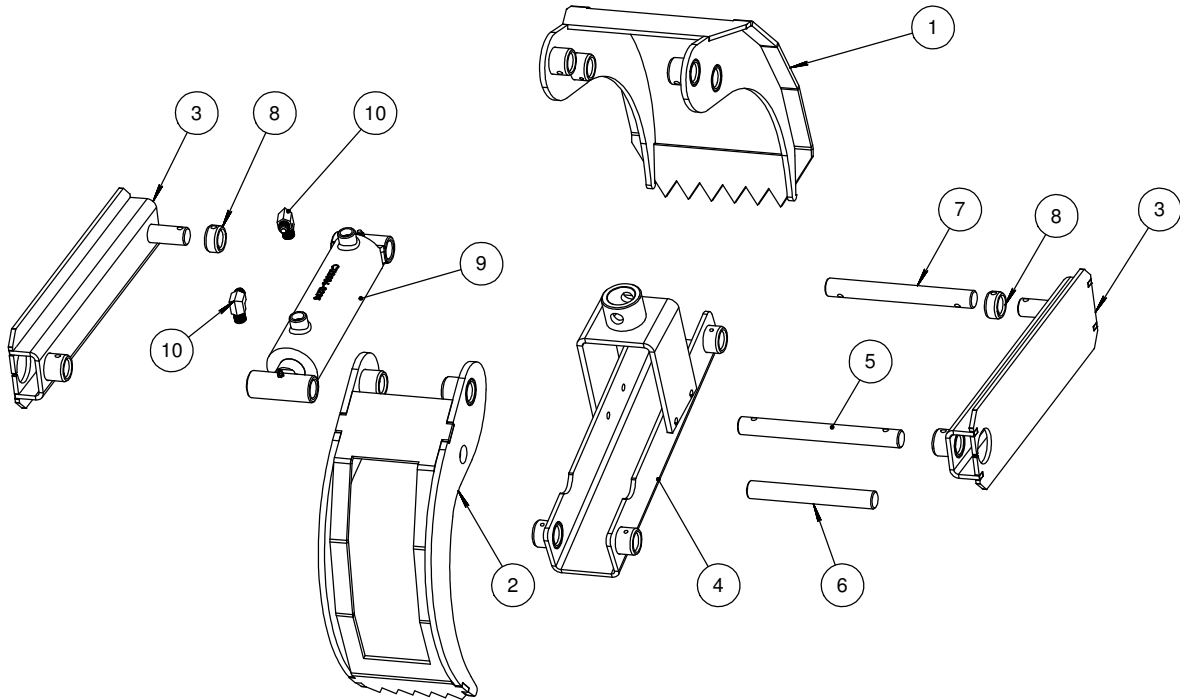


## 6000 lb. Hydraulic Winch Parts list

Item	part #	Description	Qty
1	58-013-01	26" Winch housing	1
2	58-013-04	Winch head	1
3	58-000-04	Swivel head fixation - Large, Medium, Small	1
4	58-000-05	Winch roller - Large, Medium	1
5	58-007-03	Cable tensioner pin	1
6	58-007-05	Winch tensioner - Large, Medium	1
7	58-000-06	Winch fixed clutch - Large, Medium, Small	1
8	58-000-07	Winch mobile clutch - Large, Medium, Small	1
9	58-000-08	Clutch arm - Large, Medium	1
10	58-000-01	Winch motor support - Large, Medium	1
11	58-000-024	Modified pulley	1
12	58-000-020	36" Winch roller axis	1
13	58-000-006	Modified bolt	1
14	Bush plast 1 1/4 ext x 1 int	Plastic tubing 1 1/4" O.D.	1
15	1RIV 50	Chain series #50 - 36 rollers	1
16	150010	Gear wheel #50-11 teeth heavy-duty	1
17	108070	Hydraulic motor 315 cc	1
18	150040	Bearing insert	2
19	150151	Flange bearing	2
20	304010	Nylon cable 5/16" x 110' long	2
21	58-005-011	Boom winch protector (Part)	1
22	140030-055-101820-101820	Hydraulic Hose 3/8	2



## Parts list grapple 28"



### Parts list Grapple 28"

Item	Parts#	Description	Qty
1	57-005-01	Wide finger grapple	1
2	57-005-02	Little finger grapple	1
3	57-005-04	Side plate grapple	2
4	57-006-01	Grapple 28" center	1
5	86-16-154-E14-00-E138-00	Rod 1" O.D.	1
6	86-16-120	Rod 1" O.D.	1
7	86-16-140-E14-00-E126-00	Rod 1" O.D.	1
8	96-24-16-12-E06-00	1 1/2" O.D. x .242" (1.016" I.D.)	2
9	120272	Hydraulic cylinder 2 1/2" Dia. x 6" stroke	1
10	100900	Elbow 90° - Male JIC 37° - Male NPT - 9/16" x 3/8"	2
11	300730	Bolt 5/16"-18 x 2"	1



## General safety rules::

Read this instruction manual carefully before starting the loader. The technical data in this manual contains important information. Improper use can result in injury and damage to the machine .

Using a loader requires increased knowledge and experience. You must learn and know the behavior of the loader and practice using it. Study and practice the movement patterns with small loads until you master the machine completely. Stop all operations immediately if any bystanders enter the work zone (20 m).

Woody loaders are intended for normal use in the agricultural and forestry sectors. They must be used only by persons trained in the handling of this type of machinery.

- . Before connecting the loader to the tractor's hydraulic system, you must read the tractor's instruction manual to ensure proper connections.
- . Be extremely careful when connecting the loader to the tractor or the trailer to the tractor, as well as when detaching it.
- . When operating, make sure everyone remains in the safety zone, outside of the loader risk area. The operator must have full visibility of the work zone.
- . When operating, do not insert your hand or any other part of your body into the machine or under the load. Do not risk getting stuck between the different parts of the log loader or between the tractor and the trailer.
- . Do not forget to raise the stabilizers before moving the equipment.
- . When loading, always engage the tractor handbrake.
- . Never leave the boom in a raised position without having control of the loader.
- . Never use the loader to pull, push or hit.
- . Be particularly careful when loading and unloading heavy materials.
- . Never use the loading device during transport.
- . To stop the machine, lower the loader boom and grapple on a firm surface, turn off the engine, engage the handbrake and remove the key from the ignition to prevent unauthorized use.
- . The loader is not intended for lifting people.
- . Be very careful when loading or unloading near high voltage lines. Keep a safe distance from live cables.



**Les équipements**  
**Woody**  
**Equipment**

## Safety Instructions

If the overload protection of the hydraulic system is not properly adjusted or certain system functions are altered, safety cannot be ensured.

- . Always lower the hydraulic stabilizers before each operation to avoid overturning.
- . Always check that any unauthorized personnel remains outside the work risk area.
- . Never stand under a suspended load.
- . Make sure that the tractor and trailer are always on firm ground so that there is no risk of overturning. When loading, use the stabilizers to prevent tilting of the loader.
- . Make sure you always have a visual view of the work area.
- . Do not work in conditions where you may get your fingers caught or hurt yourself

When there is a risk of overturning, immediately lower the stick boom with the control lever.

- . Hold the lever in this position until the load is on the ground. Do not interrupt the lowering movement as the risk of overturning will increase if the load stops abruptly.
- . If the tractor rolls over, follow the instructions in the cab. Do not jump out of the cab. You could end up under the load during a fall or under the tractor.

Note: Even if the stabilizers have been lowered to the ground, the risk of overturning is greater when the trailer is empty or partially loaded.

### Cracks in hydraulic hoses

- . In the event of pressure loss in the hydraulic fluid or cracks in the hydraulic hoses, you must immediately shut down the tractor engine and lower the load to the ground. Stop the hydraulic flow. Repair the leak.
- . If the main pressure hose between the tractor and the control system is cracked, you must interrupt the oil flow by disconnecting the lever control associated with the tractor's hydraulic distributor or by shutting off the engine with the OFF button.

Les équipements  
**Woody**  
Equipment



## Safety Instructions

### Driving on the Road

Observe the following instructions to avoid any risk of accident.

### Position During Transport

- . If there is no load, position the loader boom as low as possible on the trailer. Make sure that the grapple and the rotator are firmly attached to the trailer, so that there is no risk of the loader rolling over during transport
- . Make sure that none of the additional equipment connected to the loader is likely to cause an accident during transport.

### Control is Important

- . You must constantly control the machine at all times and in all situations.
- . Check that the "slow vehicle" plate and the reflective signals are correctly positioned. Check if the trailer lights are functioning correctly and check the tire pressure.
- . The total permitted weights (in particular the weight of the axle) and the transport dimensions must never be exceeded.
- . You must adapt your speed to the driving situation. Drive with caution when one side is tilted, as well as on sloping ground. There is a risk of over turning.
- . Respect the laws of the road and applicable regulations.
- . The braking distance of a tractor equipped with a trailer is longer than for other vehicles, beware of the risk of skidding and check for irregularities in the road.
- . Secure the load and other loose parts securely.

### Oil and Grease Caution

- . Avoid any oil or grease contact with the skin during maintenance. Wear appropriate protective clothing
- . Never wash your hands with lubricating oil or grease. It may damage your skin. If your skin is irritated after contact with oil or grease, contact a doctor immediately.
- . When servicing, waste oil should be disposed of in accordance with local regulations



## Safety Instructions

### Welding Repair

. If a repair or modification requires the welding of certain parts, you must first contact your dealer for necessary instructions. Improper welding or negligence during welding can cause sudden machine breakdowns.

### Working in Extreme Conditions

. The recommended ambient temperature for the operation of this machine is between  $-20\text{ }^{\circ}\text{C}$  and  $+30\text{ }^{\circ}\text{C}$ . Low or high temperatures result in increased wear and stress on joints and hoses. In addition, steel wears faster, and cracks can occur.

. When working in extreme conditions, reduce loads to prevent damage. In case of low temperature let the hydraulic oil circulate freely during several minutes. Then operate each function several times to soften the joints and hoses before applying full pressure. When it is extremely hot, pay attention to the oil temperature. A temperature above  $80\text{ }^{\circ}\text{C}$  alters the properties of the oil and damages joints and hoses.

### Maintenance and Servicing Safety Instructions

. Regular maintenance and service ensure optimal and cost effective operation.

. Note: Failure to follow the instructions in this manual will void all warranties related to this machine. Regular and proper maintenance are a prerequisite for warranty coverage.

. Read the instructions before servicing the machine. Each maintenance task requires reading and following instructions. Maintenance and lubrication should be done at the recommended intervals.

. Always use tools suitable for the maintenance / servicing tasks involved. Wear protective clothing and glasses.

. Shut off the tractor engine and remove the ignition key. If the engine has to run during certain maintenance operations, please stay away from any moving parts of the machine.

. Be extremely careful with pressurized oil. Oil under high pressure easily penetrates the skin. In case of accident, consult a doctor immediately.



## Safety Instructions

### Maintenance and Servicing Safety Instructions

- . Hot oil can cause burns. Inhalation of hot oil vapor can cause breathing difficulties.
- . If a hose bursts and you get oil on your skin, it is not dangerous. However, avoid oil contact with eyes and nose. If you get oil in your eyes or in your respiratory tract, contact a doctor immediately.
- . Keep explosive and flammable liquids away from sparks and open flames.

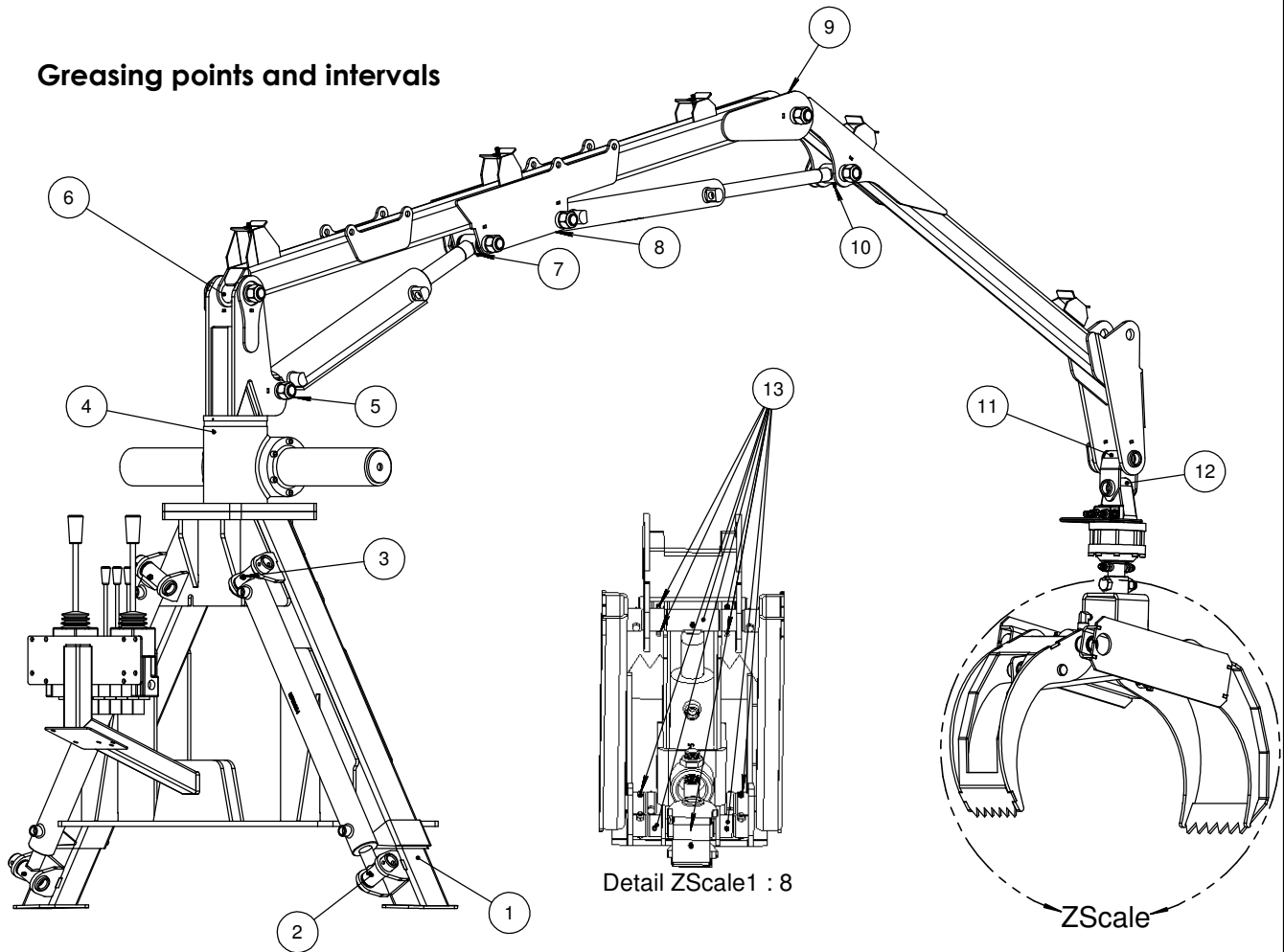
### Daily inspections

It is important to inspect the equipment daily. If you notice a defect, you must repair it immediately.

- . When under load pressure, worn bolts can provoke a risk of rupture. If cracks are detected on the loader, any operation in progress must be stopped immediately.
- . Damaged hoses must be replaced immediately. Check for leaks. Oil leaks create a risk of accidents and can harm the environment.
- . Check the bolts and tighten the bolts if necessary.
- . Perform the various movement patterns of the loader to verify that all functions are intact and working properly.

Les équipements  
**Woody**  
 Equipment  
**Safety Instructions**

**Greasing points and intervals**

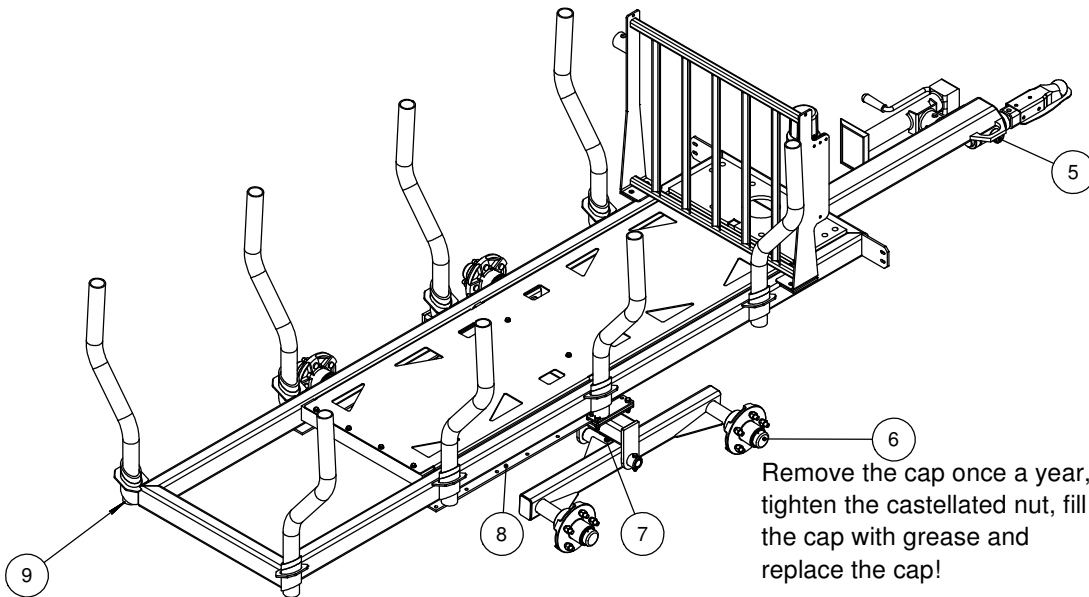
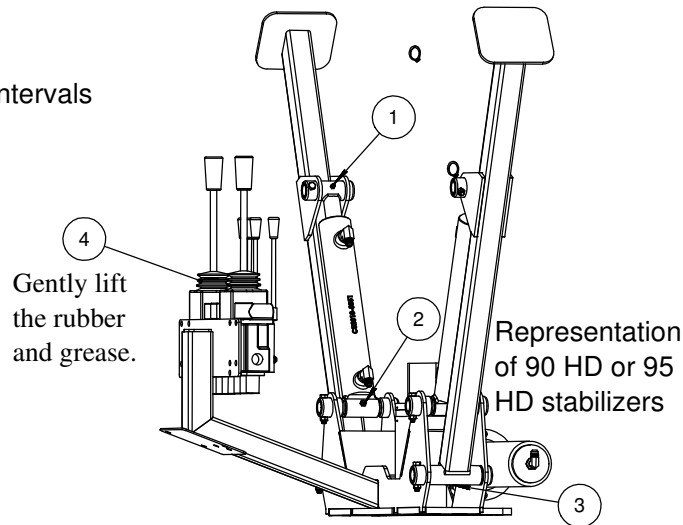


Item	Greasing point	Lubricating oil	Greasing Interval hourly / yearly
1	Stabilizer	Bushing grease	Once a year, generously
2	Cylinder pin	Bushing grease	Once a year
3	Cylinder pin	Bushing grease	Once a year
4	Pinion	Bushing grease	Every 10 hours
5	Cylinder pin	Bushing grease	Every 10 hours
6	Main boom pin	Bushing grease	Every 10 hours
7	Cylinder pin	Bushing grease	Every 10 hours
8	Cylinder pin	Bushing grease	Every 10 hours
9	Main boom pin	Bushing grease	Every 10 hours
10	Cylinder pin	Bushing grease	Every 10 hours
11	Grapple yoke pin	Bushing grease	Every 10 hours
12	Rotator pin	Bushing grease	Every 10 hours
13	Grapple pins	Bushing grease	Every 5 hours



Les équipements  
**Woody**  
 Equipment  
**Safety Instructions**

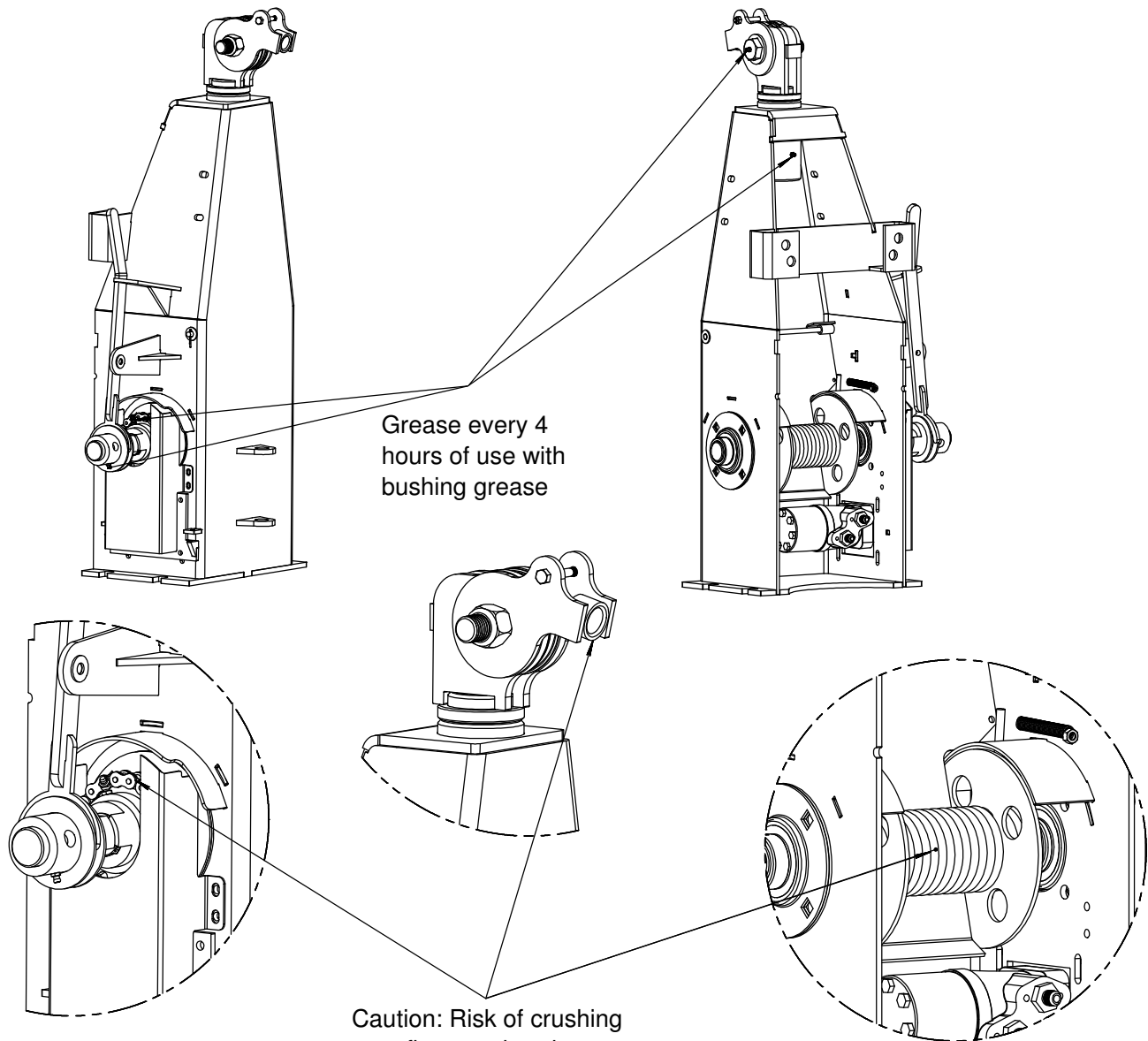
Greasing points and intervals



Item	Greasing point	Lubricating oil	Greasing Interval hourly / yearly
1	Stabilizer pin	Bushing grease	Every 10 hours
2	Stabilizer pin	Bushing grease	Every 10 hours
3	Stabilizer pin	Bushing grease	Every 10 hours
4	Control ball joints	Bearing grease	Every 50 hours or yearly
5	Column pins	Bushing grease	Every 10 hours
6	Hub 3500 lb.	Bearing grease	Every 50 hours or yearly
7	Tandem pin	Bushing grease	Every 10 hours
8	Hydraulic axle slide	Bushing grease	Every 50 hours or yearly
9	Posts	Bushing grease	One a year



## Maintenance and safety instructions for proper use of the 6000 lb. hydraulic winch



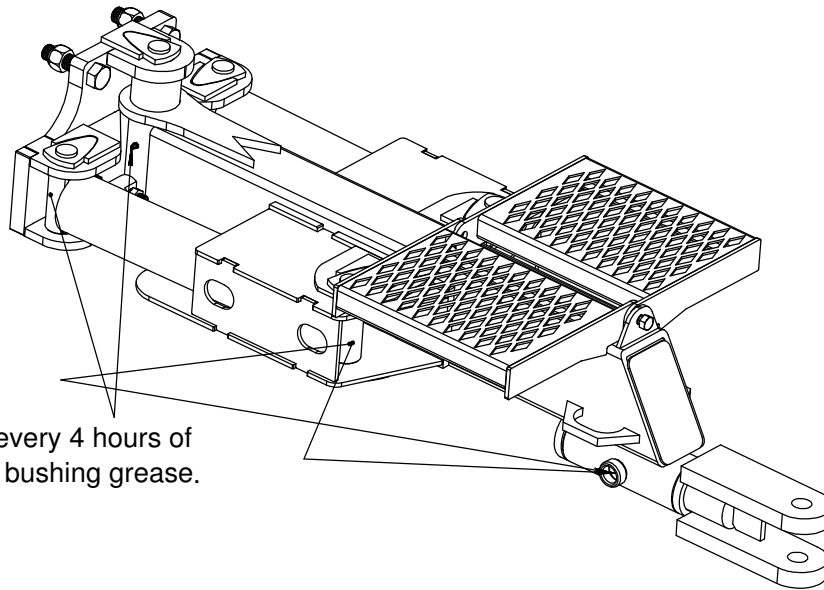
Grease every 4  
hours of use with  
bushing grease

Caution: Risk of crushing  
your finger or hand  
and could even lead to  
death!!!

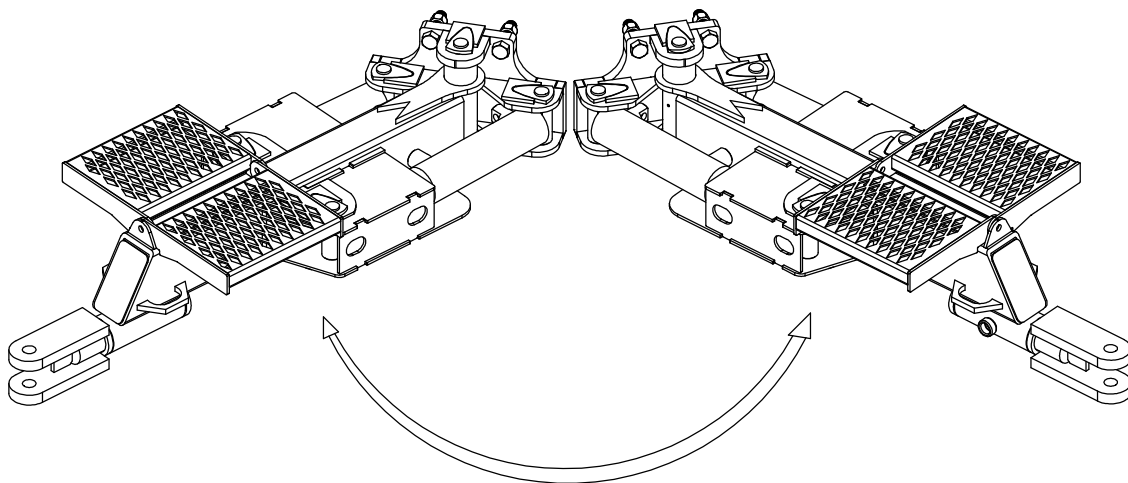


## Maintenance and safety instructions for proper use of a single drawbar

(Image for illustrative purposes only)



Grease every 4 hours of  
use with bushing grease.



Make sure that no one is standing in  
the perimeter and also make sure no  
one is standing on the step!

Les équipements  
**Woody**  
Equipment



## Safety Instructions

### Storage

If you plan to stop using the loader for a long period of time, it should be cleaned carefully. Note that high pressure cleaning is not recommended! After cleaning, make a visual inspection for any cracks (if you find any, you must have them repaired before the next use of the loader) all grease nipples must be lubricated. The grease is used to evacuate water and thus neutralize corrosion and wear.

- . Store the loader under a roof. If this is not possible, cover it with a tarpaulin.
- . Place loader boom and grapple in the transport position.

Note: A stored loader is not a play area for children.